





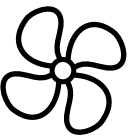






# MASTER



USER AND MAINTENANCE BOOK	en
LIBRETTO USO E MANUTENZIONE	it
BEDIENUNGS- UND WARTUNGSANLEITUNG	de
MANUAL DE INSTRUCCIONES PARA EL USO Y MANTENIMIENTO	es
MANUEL D'UTILISATION ET DE MAINTENANCE	fr
HANDLEIDING VOOR GEBRUIK EN ONDERHOUD	nl
MANUAL DE USO E MANUTENÇÃO	pt
VEJLEDNING OM BRUG OG VEDLIGEHODELSE	da
KÄYTTÖ- JA HUOLTO-OHJE	fi
HEFTE FOR BRUK OG VEDLIKEHOLD	no
ANVÄNDAR- OCH UNDERHÅLLSHANDBOK	sv
INSTRUKCJA OBSŁUGI I KONSERWACJI	pl
РУКОВОДСТВО ПО ЭКСПЛУАТАЦИИ И ТЕХНИЧЕСКОМУ ОБСЛУЖИВАНИЮ	ru
PŘÍRUČKA PRO POUŽITÍ A ÚDRŽBU	cs
HASZNÁLATI ÉS KARBANTARTÁSI KÉZIKÖNYV	hu
PRIROČNIK Z NAVODILI ZA UPORABO IN VZDRŽEVANJE	sl
KULLANIM VE BAKIM KİTAPÇIĞI	tr
KNJIŽICA O UPORABI I ODRŽAVANJU	hr
NAUDOJIMO IR PRIEŽIŪROS KNYGELĖ	lt
LIETOŠANAS UN TEHNISKĀS APKOPES GRĀMATIŅA	lv
KASUTUS- JA HOOLDUSJUHEND	et
LIVRET DE UTILIZARE ȘI ÎNTREȚINERE	ro
PRÍRUČKA PRE POUŽITIE A ÚDRŽBU	sk
НАРЪЧНИК ЗА ИЗПОЛЗВАНЕ И ПОДДРЪЖКА	bg
КЕРІВНИЦТВО З ЕКСПЛУАТАЦІЇ Й ТЕХНІЧНОГО ОБСЛУГОВУВАННЯ	uk
KNJIŽICOM O UPOTREBI I ODRŽAVANJU	bs
ΕΓΧΕΙΡΙΔΙΟ ΧΡΗΣΗΣ ΚΑΙ ΣΥΝΤΗΡΗΣΗΣ	el
使用和维护手册	zh

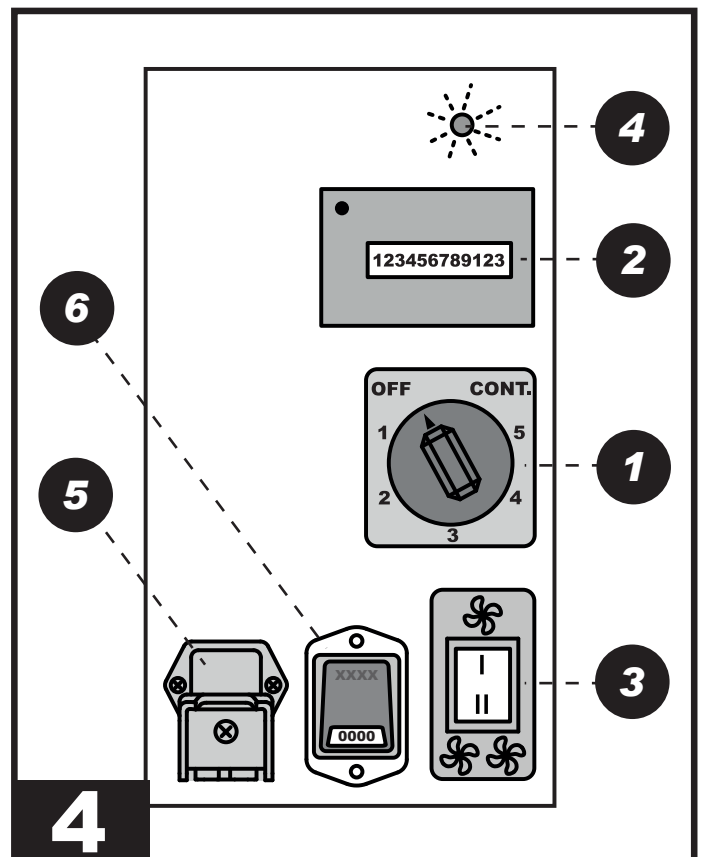
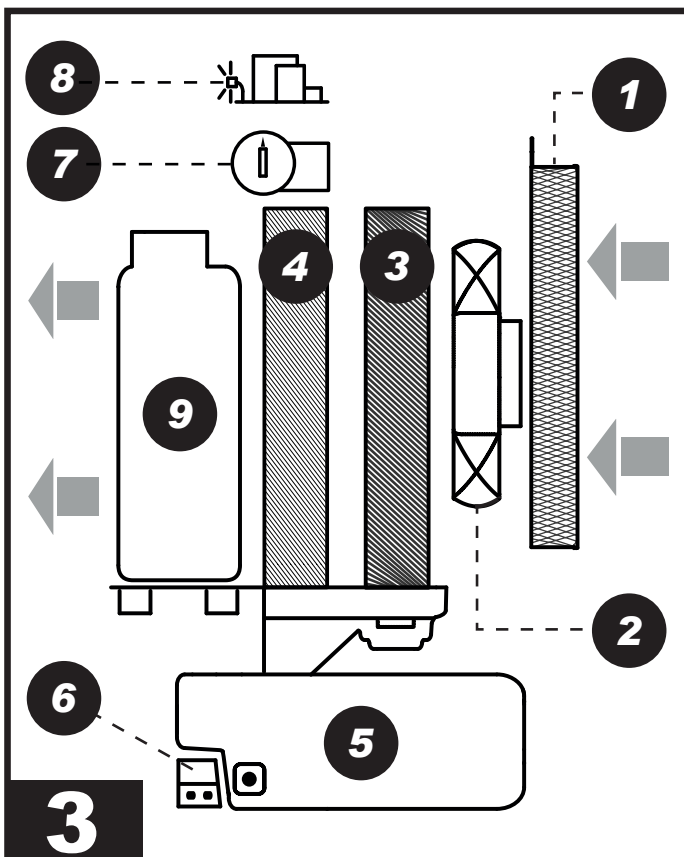
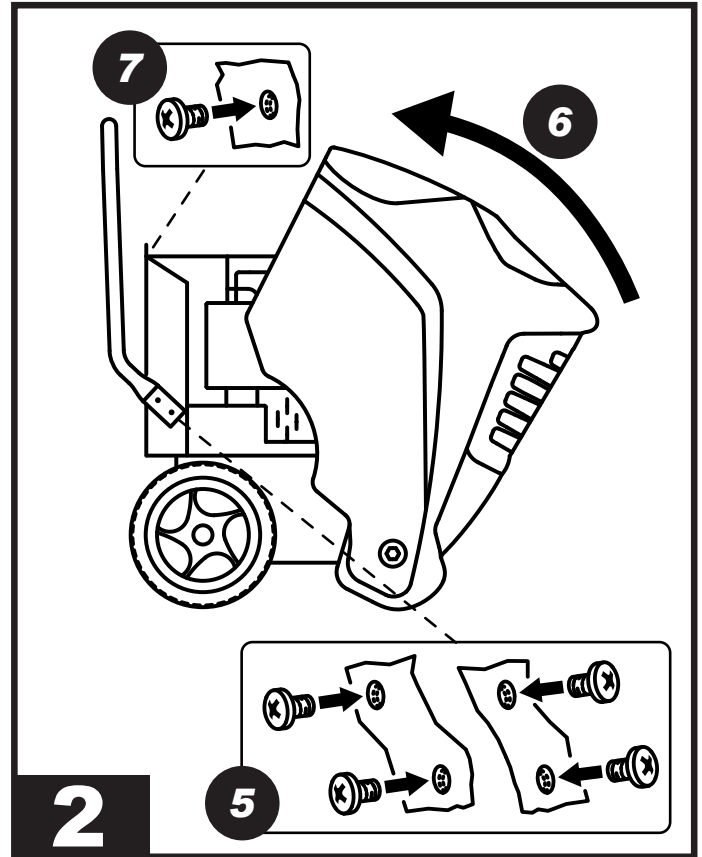
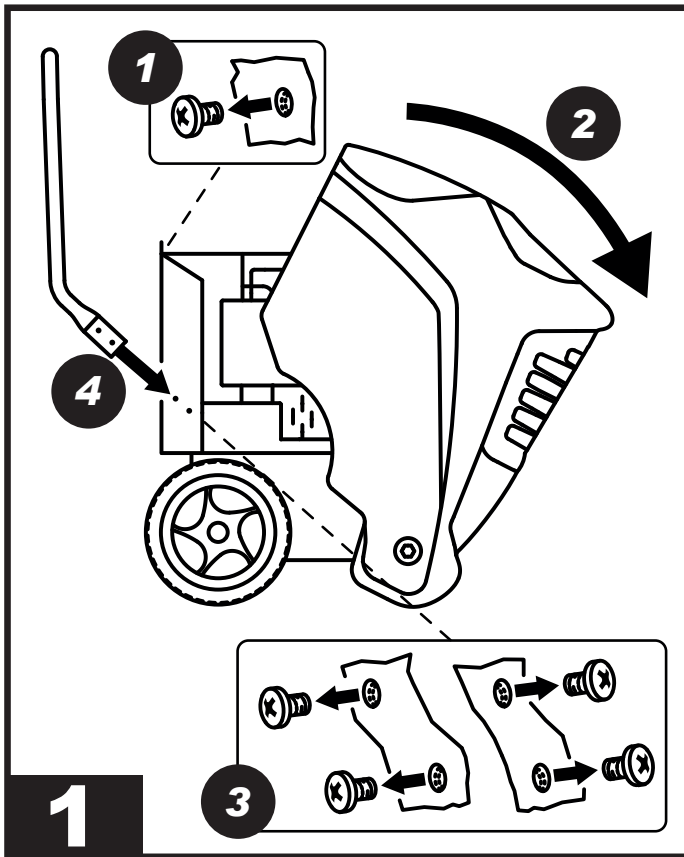
**DHP 45 - DHP 65**  
**DHP 45DV - DHP 65DV**

**TECHNICAL DATA - DATI TECNICI - TECHNISCHE DATEN - DATOS TÉCNICOS - DONNÉES TECHNIQUES - TECHNISCHE GEGEVENS - DADOS TÉCNICOS - TEKNISCHE DATA - TEKNISSET TIEDOT - TEKNISCHE DATA - TEKNISKA DATA - DANE TECHNICZNE - ТЕХНИЧЕСКИЕ ДАННЫЕ - TECHNICKÉ ÚDAJE - MŰSZAKI ADATOK - TEHNIČNI PODATKI - TEKNİK VERİLER - TEHNIČKI PODACI - TECHNINIAI DUOMENYS - TEHNISKIE DATI - TEHNILISED ANDMED - DATE TEHNICE - TECHNICKÉ ÚDAJE - ТЕХНИЧЕСКИ ДАНИ - ТЕХНІЧНІ ДАНІ - TEHNIČKI PODACI - ТЕХНИКА ΔΕΔΟΜΕΝΑ - 技术参数**

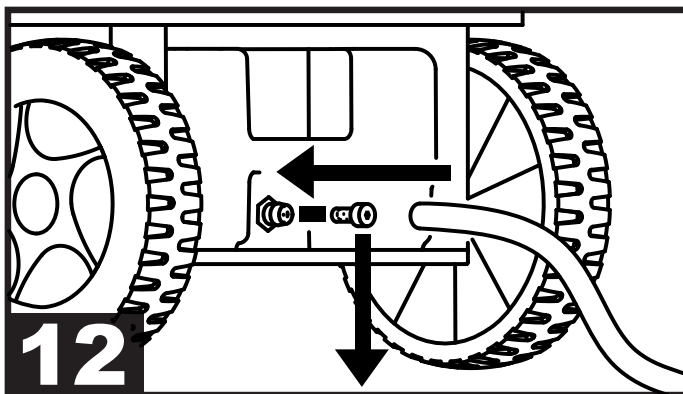
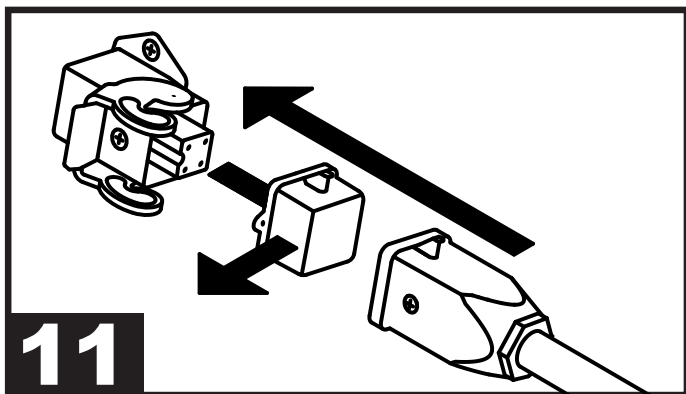
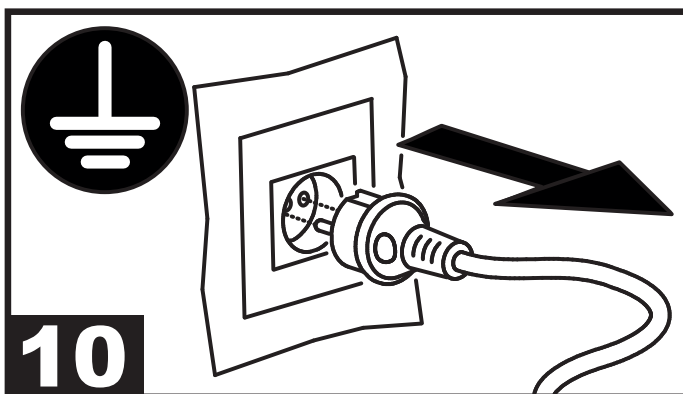
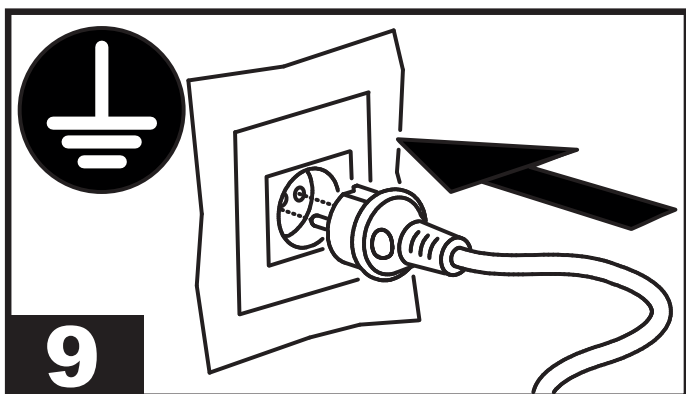
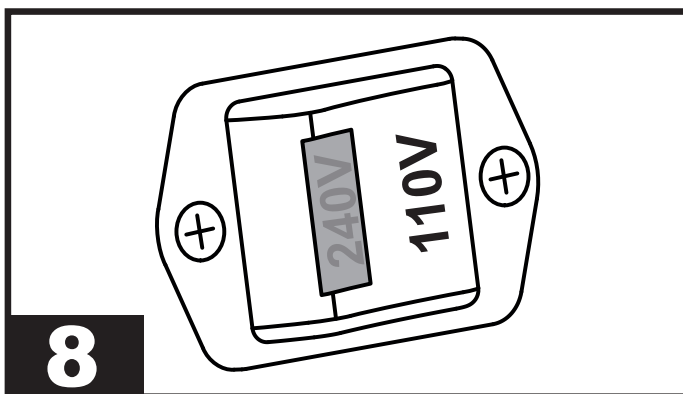
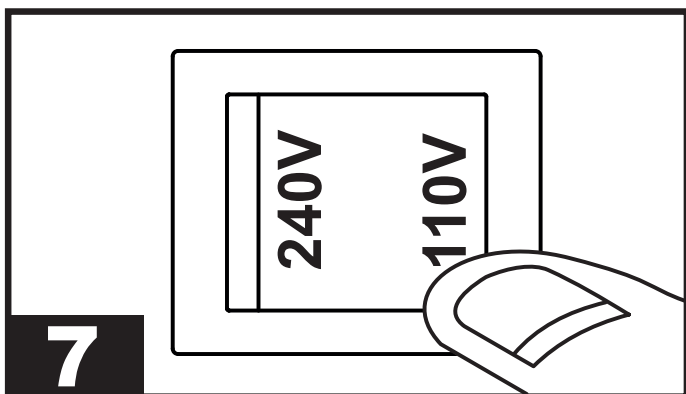
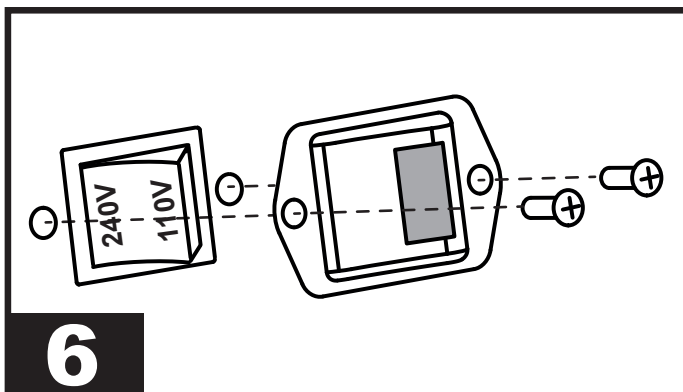
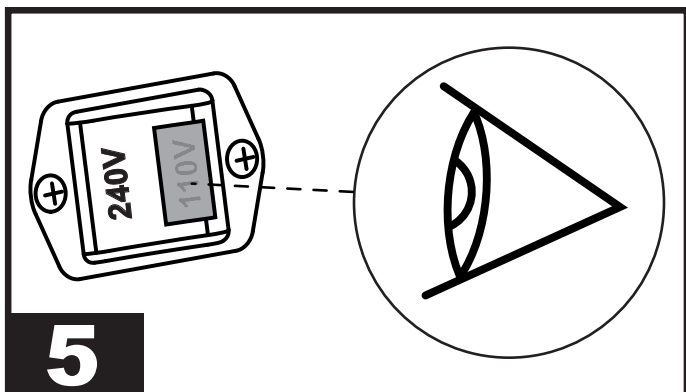
MODEL	DHP 45	DHP 65	DHP 45DV	DHP 65DV
	38 ÷ 99 %	38 ÷ 99 %	38 ÷ 99 %	38 ÷ 99 %
	3 ÷ 35 °C	3 ÷ 35 °C	3 ÷ 35 °C	3 ÷ 35 °C
	500 m³/h-m²/ч	500 m³/h-m²/ч	500 m³/h-m²/ч	500 m³/h-m²/ч
	46 l-л / 24 h-ч	56 l-л / 24 h-ч	46 l-л / 24 h-ч	56 l-л / 24 h-ч
	R410A / 440 г-г GWP-Потенциал глобального потепления 1975	R410A / 440 г-г GWP-Потенциал глобального потепления 1975	R410A / 440 г-г GWP-Потенциал глобального потепления 1975	R410A / 440 г-г GWP-Потенциал глобального потепления 1975
	~220-240 V-B / 50 Hz-Гц 3,3 A 660 W-Bт	~220-240 V-B / 50 Hz-Гц 3,9 A 780 W-Bт	~110/240 V-B / 50 Hz-Гц 6,7/3,3 A 680/660 W-Bт	~110/240 V-B / 50 Hz-Гц 7,9/3,9 A 810/790 W-Bт
<b>dB(A)</b>	53 dB-дБ	53 dB-дБ	53 dB-дБ	53 dB-дБ
	10,5 l-л	10,5 l-л	10,5 l-л	10,5 l-л
	42 kg-кг	45 kg-кг	48 kg-кг	51 kg-кг
	PS 41,5 - 33 Bar-Бар TS 65 - 55 °C  LRA 16 A	PS 41,5 - 33 Bar-Бар TS 65 - 55 °C  LRA 21 A	PS 41,5 - 33 Bar-Бар TS 65 - 55 °C  LRA 32 A (110-120 V-B)  LRA 16 A (220-240 V-B)	PS 41,5 - 33 Bar-Бар TS 65 - 55 °C  LRA 42 A (110-120 V-B)  LRA 21 A (220-240 V-B)

\* 30°C - UR 80% - при температуре 30°C и относительной влажности воздуха 80%  
 \*\* 27°C - UR 60% - при температуре 27°C и относительной влажности воздуха 60%

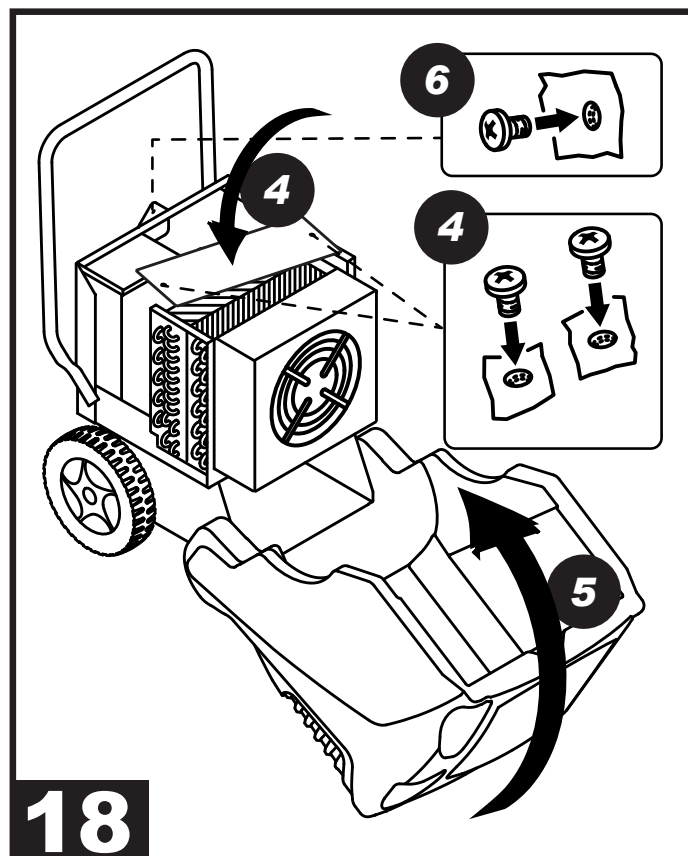
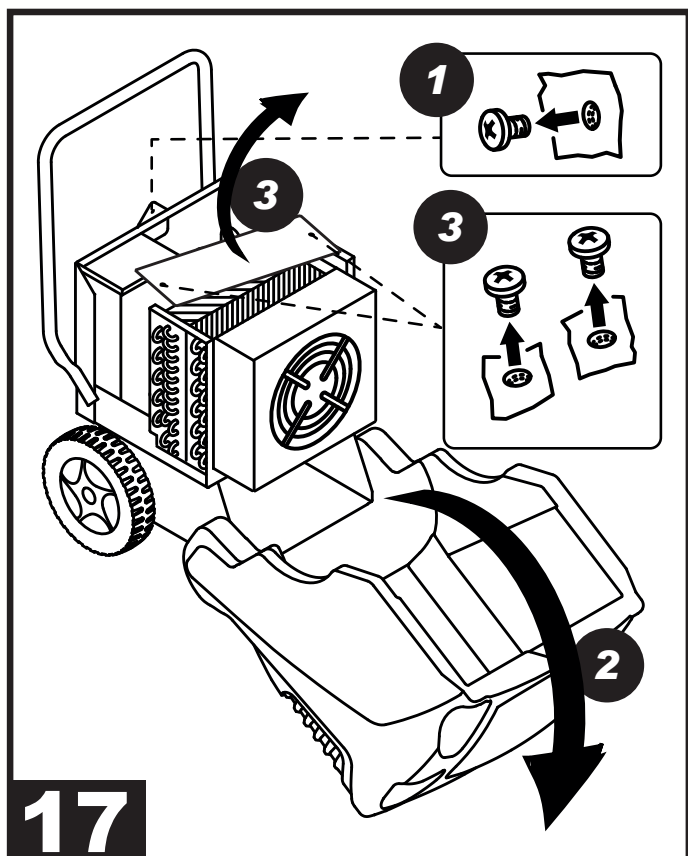
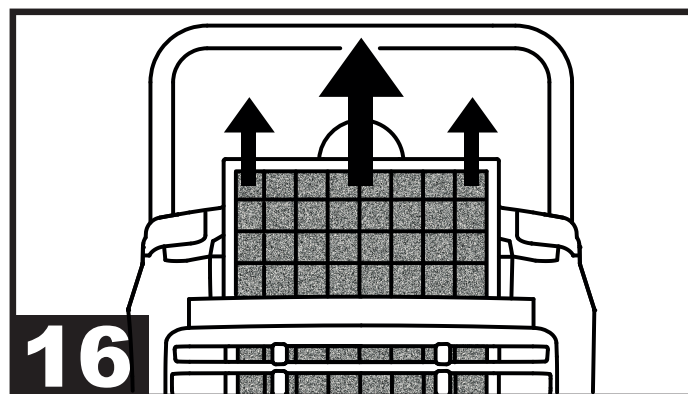
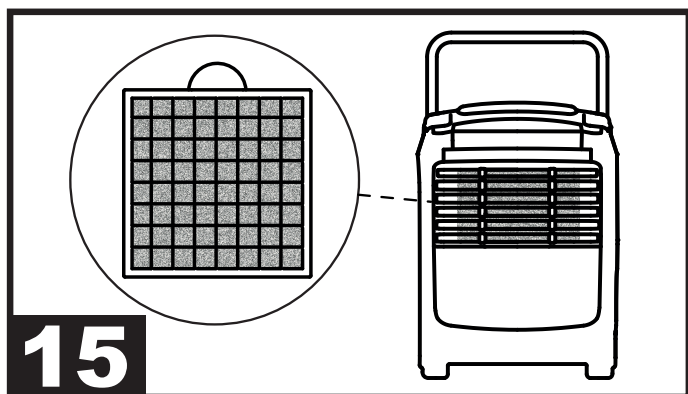
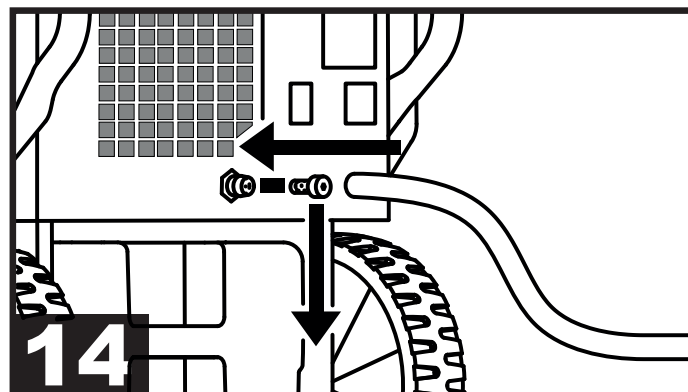
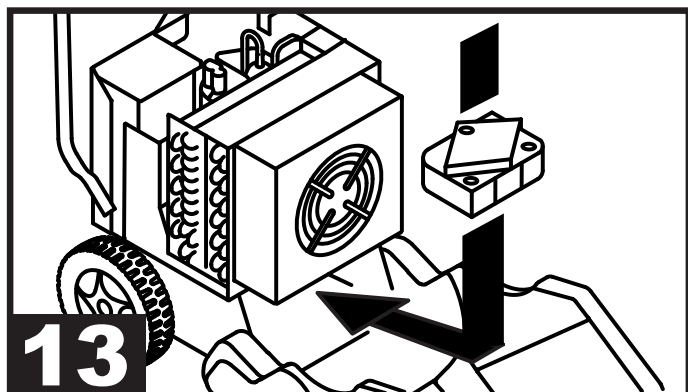
**PICTURES - FIGURE - ABBILDUNGEN - FIGURAS - FIGURES - FIGUREN  
 - FIGURAS - FIGURER - KUVAT - FIGURER - FIGURER - ILUSTRACJE  
 - ИЛЛЮСТРАЦИИ - OBRÁZKY - ÁBRÁK - SLIKE - ŞEKİLLER - SLIKE -  
 ILIUSTRACIJOS - ATTĒLI - JOONISED - IMAGINI - OBRÁZKY - СХЕМИ -  
 МАЛЮНКИ - SLIKE - EIKONEΣ - 图示**



**PICTURES - FIGURE - ABBILDUNGEN - FIGURAS - FIGURES - FIGUREN  
- FIGURAS - FIGURER - KUVAT - FIGURER - FIGURER - ILUSTRACJE  
- ИЛЛЮСТРАЦИИ - OBRÁZKY - ÁBRÁK - SLIKE - ŞEKİLLER - SLIKE -  
ILIUSTRACIJOS - ΑΤΤΕΛΙ - JOONISED - IMAGINI - OBRÁZKY - СХЕМИ -  
МАЛЮНКИ - SLIKE - EIKONES - 图示**



**PICTURES - FIGURE - ABBILDUNGEN - FIGURAS - FIGURES - FIGUREN  
- FIGURAS - FIGURER - KUVAT - FIGURER - FIGURER - ILUSTRACJE  
- ИЛЛЮСТРАЦИИ - OBRÁZKY - ÁBRÁK - SLIKE - ŞEKİLLER - SLIKE -  
ILIUSTRACIJOS - ATTĒLI - JOONISED - IMAGINI - OBRÁZKY - CXEMI -  
МАЛЮНКИ - SLIKE - EIKONEΣ - 图示**



**THE APPLIANCE IS SEALED AND CONTAINS FLUORINATED GREENHOUSE GASES GOVERNED BY THE KYOTO PROTOCOL. THE "GWP" IS SET OUT IN THE "TECHNICAL DATA TABLE".**

**IMPORTANT: BEFORE ANY MAINTENANCE, CLEANING, REPAIR OR OTHER, ALWAYS DISCONNECT THE PLUG FROM THE POWER MAINS. BEFORE RESTARTING THE DEHUMIDIFIER, ENSURE THE ELECTRICAL PARTS ARE NOT MOIST AND/OR WET.**

### ►► 1. SAFETY WARNINGS

The dehumidifier must always be connected to power sockets fitted with earthing connection. Failure to comply with this rule - as for all electrical appliances - is a source of danger, for the consequences of which the manufacturer disclaims all liability.

The appliance may be disassembled exclusively by a skilled technician.

When the appliance is connected to a power socket it must be kept in vertical position and must not be subject to violent movements. Any water escaping from the tank might come in contact with electrical parts, with obvious hazardous consequences. It is therefore indispensable to disconnect the plug before moving the dehumidifier and empty the tank before lifting it.

In the event a water spillage should occur as a consequence of sudden motions, the dehumidifier must remain still in vertical position for at least eight hours before being switched on again.

This dehumidifier sucks air in from the front and expels it through the rear grille; therefore the front panel, which holds the air filter, must be kept at a distance of at least fifteen centimeters from the walls.

Furthermore, the appliance must not be operated in narrow spaces which do not allow circulation of the air flowing out of the rear grille into the environment. However, the side panels may be drawn close to walls without creating any hindrance to regular operation.

This dehumidifier has been constructed in compliance with the strictest safety regulations. However, no sharp objects such as screwdrivers, knitting irons or similar must be inserted in the grille or in the opening that remains exposed in the front panel when the filter is extracted: this is dangerous for persons and may damage the appliance.

To clean it outside you may use a moistened cloth after disconnecting the power plug from the electricity mains. Do not cover the front grille with linen or other objects, the appliance gets damaged and may cause danger.

Regularly clean the filter: cleaning must be performed on average every month; in the event of use in very dusty environments cleaning must be more frequent. See the relevant chapter for cleaning methods. When the filter is dirty the expelled air is warmer than usual, damaging the appliance and affecting performance.

### ►► 2. DESCRIPTION OF THE DEHUMIDIFIER

All portable dehumidifiers use the cooling cycle with compressor. The appliances are described below.

### ►► 3. ASSEMBLY OF THE DEHUMIDIFIER

This appliance is equipped with a handle. This component is contained within the packaging of the dehumidifier.

To install the handle follow the below steps (Fig. 1-2):

- 3.1. Remove the screw that secures the cover to the dehumidifier (1);
- 3.2. Rotate the cover (2);
- 3.3. Remove the four screws located on the appliance side, two on the left side and two on the right side (3);
- 3.4. Place the handle in the proper position (4);
- 3.5. Install the four screws in their proper position, two on the left side and two on the right side (5);
- 3.6. Rotate the cover to bring it back to a vertical position (6);
- 3.7. Install the screw that secures the cover to the dehumidifier (7).

### ►► 4. OPERATION

This dehumidifier is a cooling cycle appliance whose operation is based on the physical principle by which when air comes into contact with a cold surface it wets it releasing moisture in the form of drops of condensation or ice, when the ambient temperature is not high.

In practice, a finned coil is maintained cold by a refrigerating machine, and the air that goes through it cools and dehumidifies. After that, the air goes through a heat exchanger and is heated, to finally flow back into the room dehumidified and at a slightly higher temperature than the initial one.

Reference to drawing (Fig. 3):

Air is extracted through the front of the dehumidifier: it goes through the filter (1), the fan (2), the cold exchanger (evaporator) (3), the hot exchanger (condenser) (4) and finally the dehumidified air flows out and is recirculated into the room through the rear grille. The condensed water is collected in the tank (5). A microswitch (6) stops the appliance when water in the tank reaches a certain level. The humidistat (7) allows the dehumidifier to operate when the humidity in the room is higher than the desired level. An electronic board (8) controls defrosting and prevents the compressor (9) from starting up too often, which is detrimental, and delays it.

These machines are fitted with a hot gas defrosting device, they are therefore equipped with a solenoid valve for hot gas bypass, a special electronic board and a defrosting thermostat.

The operation of the defrosting system is exclusive to our products: in practice a system with a thermostat and electronic control, it uses the hot gas bypass only for the time strictly necessary. This extends the dehumidifier's life and reduces the hot gas operation stage.

### ►► 5. CONTROL PANEL

The control panel (Fig. 4) is located at the rear of the dehumidifier and includes:

- 5.1. HUMIDISTAT (1): The humidistat carries a scale from 1 to 5. Setting the humidistat at the minimum value (1) means the dehumidifier operates until 80% relative humidity is achieved in the room. Setting the humidistat at the maximum value (5) means the dehumidifier operates until 20% relative humidity is achieved in the room. In the "CONT" position the dehumidifier works all the time regardless of the relative humidity reading.



In the "OFF" position the dehumidifier never starts (unipolar switch).

- ▶ 5.2.HOUR COUNTER (2): The hour counter indicates the number of hours of operation of the dehumidifier.
- ▶ 5.3.VENTILATION SPEED SELECTOR (3): The ventilation speed selector allows the dehumidifier to work at the maximum air flow or at an intermediate air flow depending on the need.
- ▶ 5.4.ALARM LIGHT (4): The alarm light lights up when, in case of dehumidifier with tank, the tank is full or the direct exhaust is clogged up and in case of dehumidifier with pump (optional), there is a malfunctioning in the water discharge system. When the warning light comes on the dehumidifier does not work, reset the appliance to restart it.
- ▶ 5.5.REMOTE HUMIDISTAT SOCKET (5): If a remote humidistat is connected to the socket, the relative humidity you wish to achieve in the room may be controlled remotely.
- ▶ 5.6.VOLTAGE CHANGE SWITCH (6) (where present): In dual voltage models (...DV), the dehumidifier operating voltage may be set to suit the voltage supplied by the electricity mains.

## ▶▶ 6. SWITCH-ON

**IMPORTANT: In dual voltage models (...DV), check:**  
 ▶ 1-POSITION OF THE VOLTAGE CHANGE SWITCH (220-240V / 110-120V) (Fig. 5); If the set voltage does not match that supplied by the mains, the voltage must be adapted. Loosen the two screws fastening the cover (Fig. 6), move/press the switch on the supplied voltage value (Fig. 7) and refit the cover (Fig. 8).

▶ 2-CHECK THE TYPE OF SOCKET; If the type of socket does not match the power supply features, a suitable adapter must be fitted.

**IF THE VOLTAGE CHANGE SWITCH POSITION, THE TYPE OF SOCKET AND THE POWER SUPPLY ARE CONSISTENT, YOU MAY PROCEED WITH THE SWITCH ON SEQUENCE.**

**In order to start up the dehumidifier, it must have remained in vertical position (normal use position) for at least eight hours. Failure to comply with this rule may cause irreparable damage to the dehumidifier.**

- ▶ 6.1.Follow all the safety instructions;
- ▶ 6.2.Connect the supply plug to the power mains (Fig. 9) (SEE VOLTAGE IN THE "TECHNICAL DATA TABLE");
- ▶ 6.3.Turn the humidistat (1 Fig. 4) on the desired relative humidity value, the dehumidifier will start automatically. Thanks to the "VENTILATION SPEED" selector (3 Fig. 4), the dehumidifier may be operated at the maximum air flow or at an intermediate air flow depending on the need, in order to achieve the utmost comfort in the room.

## ▶▶ 7. SWITCH-OFF

Proceed as follows to switch off the dehumidifier:

- ▶ 7.1.Turn the humidistat (1 Fig. 4) to "OFF";
- ▶ 7.2.Disconnect the supply plug from the power mains with dehumidifier off (Fig. 10).

## ▶▶ 8. REMOTE HUMIDISTAT CONNECTION

For remote humidistat ready models (5 Fig. 4), remove the cover connected to the dehumidifier and connect the remote humidistat (optional) (Fig. 11). For correct dehumidifier operation, completely rotate the knob of the

humidistat on the control panel (1 Fig. 4) to "CONT" and set the desired humidity on the remote humidistat.

## ▶▶ 9. IF THE DEHUMIDIFIER DOES NOT START OR DOES NOT DEHUMIDIFY

If the "ALARM LIGHT" (4 Fig. 4) switches on, this means that the water recovery tank is full and/or there is pump malfunctioning (optional), just empty the tank and/or reset the pump. Should the problem persist, contact the authorised technical service centre.

## ▶▶ 10. CONNECTION TO DISCHARGE PIPING

This dehumidifier allows for the option to directly connect the appliance to a fixed discharge pipe.

▶ 10.1.IN THE STANDARD CASE OF DEHUMIDIFIER WITH TANK: The tank has a fitting which may be connected to a pipe with 16mm internal diameter. Before connecting the pipe, remove the screw/cover (where present) (Fig. 12) and check fitting cleanliness, in order to avoid possible obstructions.

▶ 10.2.IN CASE OF DEHUMIDIFIER WITH PUMP (OPTIONAL): A water drain pump (optional) may be installed onto the dehumidifier (Fig. 13). Connection is easy and straightforward, thanks to the specific electrical connector and the hydraulic fitting located at the rear, which can be connected to a pipe with 16mm internal diameter. Before connecting the pipe, remove the screw/cover (where present) (Fig. 14) and check fitting cleanliness, in order to avoid possible obstructions. ALL INSTRUCTIONS AND DETAILS FOR INSTALLATION ARE SUPPLIED IN THE PUMP KIT.

## ▶▶ 11. PERIODIC MAINTENANCE

The only maintenance to be performed regularly is filter cleaning (Fig. 15). Cleaning must be performed by removing the filter from the front of the dehumidifier (Fig. 16) and placing it under the water tap in an ordinary sink. This must be performed on average every month; in the event of use in very dusty environments cleaning must be more frequent.

Depending on use, cleaning of the finned coil may be required, with a low pressure water jet. Before performing washing it is strictly required to disconnect the supply plug from the power mains (Fig. 10). To perform washing follow the below steps (Fig. 17-18):

- ▶ 11.1.Remove the screw that secure the cover to the dehumidifier (1);
- ▶ 11.2.Rotate the cover (2);
- ▶ 11.3.Remove the four screws and remove the protection from the finned coil (3). (Wash the finned coil with a low pressure water, paying attention not to wet the electrical panel. WATER MUST ONLY FLOW FROM THE TOP DOWN);
- ▶ 11.4.Install the protection and the two screws (4);
- ▶ 11.5.Rotate the cover to bring it back to a vertical position (5);
- ▶ 11.6.Install the screw than secures the cover to the dehumidifier (6).

Before restarting the dehumidifier, ensure the electrical parts are not wet and/or moist, in normal conditions at least eight hours must elapse. This cleaning operation improves the dehumidifier performance and assures its long life.

**L'APPARECCHIO È SIGILLATO E CONTIENE GAS FLUORURATI AD EFFETTO SERRA DISCIPLINATI DAL PROTOCOLLO DI KYOTO. IL "GWP" È RIPORTATO NELLA "TABELLA DATI TECNICI".**

**IMPORTANTE: PRIMA DI OGNI MANUTENZIONE, PULIZIA, RIPARAZIONE O ALTRO, SCOLLEGARE SEMPRE LA SPINA DI ALIMENTAZIONE DALLA RETE ELETTRICA. PRIMA DI FAR RIPARTIRE IL DEUMIDIFICATORE, ASSICURARSI CHE LE PARTI ELETTRICHE NON SIANO BAGNATE E/O UMIDE.**

## ►►1. AVVERTENZE DI SICUREZZA

Il deumidificatore deve essere sempre collegato a prese di corrente provviste di collegamento di terra. L'inosservanza di tale norma, come per tutti gli apparecchi elettrici, è causa di pericolo delle cui conseguenze il costruttore non si assume alcuna responsabilità.

Lo smontaggio dell'apparecchio deve essere effettuato esclusivamente da un tecnico qualificato.

Quando l'apparecchio è collegato ad una presa elettrica deve essere mantenuto in posizione verticale e non deve essere spostato violentemente. Eventuali fuoriuscite di acqua dalla tanica possono andare in contatto con parti elettriche, con ovvie conseguenze di pericolo. E' pertanto indispensabile disinserire la spina prima di spostare il deumidificatore e vuotarne la tanica prima di sollevarlo.

Nel caso si verifichi uno spandimento d'acqua in seguito a bruschi spostamenti, il deumidificatore deve restare fermo in posizione verticale per almeno otto ore prima di essere rimesso in funzione.

Questo deumidificatore aspira l'aria nella parte anteriore e la espelle attraverso la griglia posteriore; pertanto il pannello anteriore, che porta il filtro dell'aria, deve essere mantenuto ad una distanza di almeno quindici centimetri da pareti.

L'apparecchio non deve inoltre essere fatto funzionare in spazi angusti che non consentano la diffusione nell'ambiente dell'aria che esce dalla griglia posteriore. E' invece possibile accostare i pannelli laterali alle pareti senza creare difficoltà al regolare funzionamento.

Questo deumidificatore è costruito rispettando le più severe norme di sicurezza. Non si devono peraltro inserire oggetti appuntiti (cacciaviti, ferri da maglia o simili) nella griglia o nell'apertura che resta scoperta nel pannello anteriore quando si estrae il filtro: ciò è pericoloso per le persone e può danneggiare l'apparecchio.

Per pulirlo esternamente si può utilizzare uno straccio umido dopo aver scollegato la spina di alimentazione dalla rete elettrica. Non coprire la griglia frontale con panni o altri oggetti, l'apparecchio si danneggia e può creare pericolo.

Pulire periodicamente il filtro: la pulizia deve essere effettuata mediamente ogni mese; nel caso di uso in ambienti molto polverosi la pulizia deve essere più frequente. Per le modalità della pulizia vedere il capitolo relativo. Quando il filtro è sporco l'aria esce più calda del normale, danneggiando l'apparecchio e riducendone la resa.

## ►►2. DESCRIZIONE DEL DEUMIDIFICATORE

Tutti i deumidificatori portatili utilizzano il ciclo frigorifero con compressore. Gli apparecchi sono descritti di seguito.

## ►►3. ASSEMBLAGGIO DEL DEUMIDIFICATORE

Questo modello è dotato di maniglia. Tale componente, è contenuto all'interno dell'imbollo del deumidificatore. Per installare la maniglia seguire la seguente procedura (Fig. 1-2):

- 3.1. Rimuove la vite che fissa il cover alla struttura (1);
- 3.2. Far ruotare il cover (2);
- 3.3. Rimuove le quattro viti posizionate sui fianchi della struttura, due sul fianco sinistro e due sul fianco destro (3);
- 3.4. Posizionare la maniglia nella posizione corretta (4);
- 3.5. Reinstallare le quattro viti posizionate sui fianchi della struttura, due sul fianco sinistro e due sul fianco destro (5);
- 3.6. Far ruotare il cover per riportarlo in posizione verticale (6);
- 3.7. Reinstallare la vite che fissa il cover alla struttura (7).

## ►►4. FUNZIONAMENTO

Questo deumidificatore è un apparecchio a ciclo frigorifero il cui funzionamento si basa sul principio fisico per cui l'aria quando viene a contatto di una superficie fredda la bagna cedendo umidità sotto forma di gocce di condensa, o di ghiaccio se la temperatura ambiente non è elevata.

In pratica una macchina frigorifera mantiene fredda una batteria alettata, attraverso il quale viene fatta passare l'aria che si raffredda e deumidifica. Successivamente passando attraverso uno scambiatore di calore caldo, l'aria si riscalda per tornare in ambiente deumidificata ed a temperatura leggermente superiore a quella iniziale.

Riferimento al disegno (Fig. 3):

L'aria viene aspirata dalla parte anteriore del deumidificatore: attraversa il filtro (1), il ventilatore (2), lo scambiatore freddo (evaporatore) (3), lo scambiatore caldo (condensatore) (4) e in fine l'aria deumidificata esce e viene rimessa in ambiente passando attraverso la griglia posteriore. L'acqua condensata viene raccolta nella tanica (5). Un microinterruttore (6) arresta l'apparecchio quando l'acqua nella tanica raggiunge un determinato livello. L'umidostato (7) consente il funzionamento del deumidificatore quando l'umidità in ambiente è più elevata del livello desiderato. Una scheda elettronica (8) gestisce lo sbrinamento ed impedisce dannose partenze ravvicinate del compressore (9) ritardandone l'avviamento.

Questi deumidificatori sono dotati di dispositivo di sbrinamento a gas caldo, sono dotati pertanto di una elettrovalvola per il by pass del gas caldo, una particolare scheda elettronica e di un termostato di sbrinamento.

Il funzionamento del sistema di sbrinamento è esclusivo dei nostri prodotti: in pratica un sistema con un termostato ed un controllo elettronico, utilizza il by-pass del gas caldo solo per il tempo strettamente necessario. Ciò allunga la vita del deumidificatore riducendo la fase di funzionamento a gas caldo.

## ►►5. PANNELLO COMANDI

Il pannello comandi (Fig. 4) è ubicato nella parte posteriore del deumidificatore e comprende:

- 5.1. UMIDOSTATO (1): L'umidostato porta una gradazione con una scala che va da 1 a 5. L'impostazione dell'umidostato al valore minimo (1) significa far lavorare il deumidificatore fino ad ottenere un 80% di umidità relativa in ambiente. L'impostazione dell'umidostato al valore massimo (5) significa far lavorare il deumidificatore fino ad ottenere un 20% di umidità relativa in ambiente. In posizione "CONT" il deumidificatore funziona sempre indipendentemente dal valore dell'umidità relativa. In posizione "OFF" il deumidificatore non parte mai (interruttore unipolare).
- 5.2. CONTAORE (2): Il contatore indica il numero di ore di funzionamento del deumidificatore.
- 5.3. SELETTORE VELOCITÀ DI VENTILAZIONE (3): Il selettore velocità di ventilazione permette di far lavorare il deumidificatore alla massima portata d'aria o ad una



portata d'aria intermedia a seconda dell'esigenza.

- ▶▶ 5.4. SPIA ALLARME (4): La spia d'allarme si accende quando nel caso standard di deumidificatore con tanica il serbatoio è pieno o lo scarico diretto è intasato oppure nel caso di deumidificatore con pompa (optional) c'è un malfunzionamento nel sistema di scarico. Quando si accende la spia il deumidificatore non funziona, ripristinare l'apparecchio per farlo ripartire.
- ▶▶ 5.5. PRESA UMIDOSTATO REMOTO (5): Collegando un umidostato remoto alla presa, si può gestire e controllare a distanza, l'umidità relativa che si vuole ottenere in ambiente.
- ▶▶ 5.6. INTERRUPTORE CAMBIA TENSIONE (6) (dove presente): Nei modelli a doppio voltaggio (...DV), è possibile impostare la tensione di funzionamento del deumidificatore, per adeguarsi alla tensione fornita dalla rete elettrica.

## ▶▶ 6. ACCENSIONE

**IMPORTANTE:** Nei modelli a doppio voltaggio (...DV), controllare:

▶▶ 1-POSIZIONE DELL'INTERRUPTORE CAMBIA TENSIONE (220-240V / 110-120V) (Fig. 5); Se la tensione impostata non corrisponde a quella fornita dalla rete, è necessario intervenire per adeguare la tensione. Svitare le due viti di fissaggio del coperchio (Fig. 6), spostare/premere l'interruttore sul valore di tensione fornita (Fig. 7) e rimontare il coperchio (Fig. 8).

▶▶ 2-VERIFICARE LA TIPOLOGIA DELLA PRESA; Se la tipologia della presa non corrisponde alle caratteristiche della fornitura elettrica, è necessario adeguarsi mediante specifico adattatore.

**SE LA POSIZIONE DELL'INTERRUPTORE CAMBIA TENSIONE, LA TIPOLOGIA DELLA PRESA E LA FORNITURA ELETTRICA SONO COERENTI, È POSSIBILE PROCEDERE CON LA SEQUENZA DI ACCENSIONE.**

**Per poter essere messo in funzione il deumidificatore deve essere rimasto in posizione verticale (posizione di normale utilizzo) per almeno otto ore. L'inosservanza di questa norma può causare un danneggiamento irreparabile al deumidificatore.**

- ▶▶ 6.1. Seguire tutte le istruzioni relative alla sicurezza;
- ▶▶ 6.2. Collegare la spina di alimentazione alla rete elettrica (Fig. 9) (VEDERE TENSIONE IN "TABELLA DATI TECNICI");
- ▶▶ 6.3. Ruotare l'umidostato (1 Fig. 4) sul valore di umidità relativa desiderata, il deumidificatore si avvierà in automatico.

Grazie al selettore "VELOCITÀ DI VENTILAZIONE" (3 Fig. 4), si può far lavorare il deumidificatore alla massima portata d'aria o ad una portata d'aria intermedia a seconda dell'esigenza, così da ottenere il massimo confort in ambiente.

## ▶▶ 7. SPEGNIMENTO

Per spegnere il deumidificatore, è necessario:

- ▶▶ 7.1. Ruotare l'umidostato (1 Fig. 4) verso "OFF";
- ▶▶ 7.2. Scollegare la spina di alimentazione dalla rete elettrica a deumidificatore spento (Fig. 10).

## ▶▶ 8. COLLEGAMENTO UMIDOSTATO REMOTO

Per i modelli con predisposizione umidostato remoto (5 Fig. 4), rimuovere il tappo collegato al deumidificatore e connettere l'umidostato remoto (optional) (Fig. 11). Per un corretto funzionamento del deumidificatore, ruotare completamente la manopola dell'umidostato posto sul pannello comandi (1 Fig. 4) verso "CONT" e impostare l'umidità desiderata sull'umidostato remoto.

## ▶▶ 9. SE IL DEUMIDIFICATORE NON SI AVVIA OPPURE NON DEUMIDIFICA

Se la "SPIA ALLARME" (4 Fig. 4) si accende, significa che la tanica di recupero acqua è piena e/o c'è un malfunzionamento della pompa (optional), basta svuotare la tanica e/o ripristinare la pompa. Se il problema dovesse persistere, contattare il centro di assistenza tecnico autorizzato.

## ▶▶ 10. COLLEGAMENTO AD UNA TUBAZIONE DI SCARICO

Questo deumidificatore prevede la possibilità di collegare l'apparecchio direttamente ad una tubazione di scarico fissa.

▶▶ 10.1. NEL CASO STANDARD DI DEUMIDIFICATORE CON TANICA: Il serbatoio ha un raccordo a cui è possibile collegare un tubo di diametro interno 16mm. Prima di collegare il tubo, rimuovere la vite/tappo (dove presente) (Fig. 12) e verificare la pulizia del raccordo, al fine di evitare possibili ostruzioni.

▶▶ 10.2. NEL CASO DI DEUMIDIFICATORE CON POMPA (OPTIONAL): È possibile installare una pompa (optional) di scarico dell'acqua al deumidificatore (Fig. 13). Il collegamento è facile ed immediato, grazie alla predisposizione elettrica (connettore specifico) e idraulica (raccordo posizionato nella parte posteriore a cui è possibile collegare un tubo di diametro interno 16mm). Prima di collegare il tubo, rimuovere la vite/tappo (dove presente) (Fig. 14) e verificare la pulizia del raccordo, al fine di evitare possibili ostruzioni. TUTTE LE ISTRUZIONI E I DETTAGLI PER L'INSTALLAZIONE VENGONO FONITI NEL KIT DELLA POMPA.

## ▶▶ 11. MANUTENZIONE PERIODICA

L'unica manutenzione da eseguire periodicamente è la pulizia del filtro (Fig. 15). La pulizia va effettuata rimuovendo il filtro dalla parte anteriore del deumidificatore (Fig. 16) e ponendolo sotto il getto d'acqua di una normale lavandino. Deve essere effettuata mediamente ogni mese; nel caso di uso in ambienti molto polverosi la pulizia deve essere più frequente.

A seconda dell'utilizzo può essere necessaria una pulizia della batteria alettata, mediante acqua a bassa pressione. Prima di effettuare il lavaggio è assolutamente necessario scollegare la spina di alimentazione dalla rete elettrica (Fig. 10). Per effettuare un corretto lavaggio seguire la seguente procedura (Fig. 17-18):

- ▶▶ 11.1. Rimuove le viti che fissa il cover alla struttura (1);
- ▶▶ 11.2. Far ruotare il cover (2);
- ▶▶ 11.3. Rimuove le due viti e rimuovere la protezione della batteria alettata (3). (Lavare la batteria alettata con acqua a bassa pressione, facendo attenzione a non bagnare il quadro elettrico. IL FLUSSO DELL'ACQUA DEVE ESSERE SOLO DALL'ALTO VERSO IL BASSO);
- ▶▶ 11.4. Reinstallare la protezione e reinstallare le due viti (4);
- ▶▶ 11.5. Far ruotare il cover per riportarlo in posizione verticale (5);
- ▶▶ 11.6. Reinstallare le viti che fissa il cover alla struttura (6). Prima di far ripartire il deumidificatore, assicurarsi che le parti elettriche non siano bagnate e/o umide, in condizioni normali devono passare almeno otto ore. Questa pulizia migliora le prestazioni del deumidificatore e ne assicura lunga vita.

**DAS GERÄT IST VERSIEGELT UND ENTHÄLT FLUORURIERTES TREIBHAUSGAS NACH DEM KYOTO-PROTOKOLL. DAS "GWP" (Treibhauspotential) IST IN DER TABELLE DER TECHNISCHEN DATEN ANGEGEBEN.**

**WICHTIGER HINWEIS: VOR WARTUNGS-, REINIGUNGS-; REPARATUREINGRIFFEN ODER ANDEREN ARBEITEN AN DER MASCHINE STETS DEN NETZSTECKER AUS DER STECKDOSE ZIEHEN. VOR DEM ERNEUTEN STARTEN DES LUFTENTFEUCHTERS SICHERSTELLEN, DASS DIE ELEKTRISCHEN TEILE NICHT NASS ODER FEUCHT SIND.**

### ►► 1. SICHERHEITSHINWEISE

Der Luftentfeuchter darf ausschließlich an Stromdosen mit Erdleitung angeschlossen werden. Die Nichtbeachtung dieser Norm, die für sämtliche elektrischen Geräte gilt, bringt Gefahrensituationen mit sich, für deren Folgeschäden der Hersteller keine Haftung übernimmt.

Der Ausbau des Geräts ist ausschließlich einem qualifizierten Techniker vorbehalten.

Ein an eine Stromdose angeschlossenes Gerät muss vertikal aufgestellt sein und darf nicht gewaltsam verschoben bzw. verstellt werden. Ein aus dem Kanister ausfließendes Wasser ist eine Quelle vorstellbarer Gefahr, da es mit den elektrischen Teilen in Berührung kommen kann. Es ist daher unabdingbar, dass der Stromstecker vor dem Verstellen des Luftentfeuchters herausgezogen und der Kanister vor Anheben des Geräts entleert wird.

Sollte durch heftige Bewegungen Wasser verschüttet werden, muss der Luftentfeuchter mindestens acht Stunden vertikal stehen bevor er in Betrieb gesetzt wird. Dieser Entfeuchter saugt die Luft frontseitig an und lässt sie durch das rückseitige Gitter ausströmen; die Frontplatte mit dem Luftfilter muss sich daher stets in einem Abstand von mindestens fünfzehn Zentimeter von den Wänden befinden.

Fernerhin darf das Gerät nicht in engen Räumen betrieben werden, damit die aus dem rückseitigen Gitter ausströmende Luft frei zirkulieren kann. Keine Probleme bestehen hingegen für einen regelrechten Betrieb wenn die sich die Seitenplatten nahe an den Wänden befinden. Dieser Luftentfeuchter ist unter Beachtung der strengsten Sicherheitstechnischen Vorschriften gebaut. Fernerhin dürfen in das Gitter oder in die beim Herausziehen des Filters unbedeckt bleibende Öffnung auf der Frontplatte keine spitzen Gegenstände (Schraubendreher, Stricknadeln o.Ä.) eingeführt werden, da dies für die Personen gefährlich und für das Gerät schädlich ist.

Zur äußeren Reinigung des Geräts ist ein feuchter Lappen zu verwenden; vor der Reinigung ist der Netzstecker aus der Stromdose zu ziehen. Das frontseitige Gitter nie mit Tüchern oder anderen Gegenständen bedecken, das Gerät könnte dadurch beschädigt werden und Gefahrensituationen herbeiführen.

Den Filter regelmäßig reinigen: durchschnittlich ein Mal im Monat, in sehr staubiger Umgebung öfter. Die Arbeitsgänge zur Reinigung sind im diesbezüglichen Kapitel beschrieben. Die Luft, die durch einen verschmutzten Filter strömt, tritt mit einer höheren Temperatur aus, wodurch das Gerät beschädigt und die Leistung verringert wird.

### ►► 2. BESCHREIBUNG DES LUFTENTFEUCHTERS

In sämtlichen tragbaren Luftentfeuchtern erfolgt der Kühlzyklus mit Kompressor. Die Geräte sind nachstehend beschrieben.

### ►► 3. ZUSAMMENBAU DES LUFTENTFEUCHTERS

Dieses Modell ist mit einem Handgriff ausgestattet. Der Handgriff ist dem Luftentfeuchter beigegepackt. Montage des Handgriffs (Abb. 1-2):

- 3.1. Die Schraube, die den Cover an der Struktur befestigt, abdrehen (1);
- 3.2. Den Cover drehen (2);
- 3.3. Die vier Schrauben auf den Seitenteilen der Struktur abdrehen, zwei am linken und zwei am rechten Seitenteil (3);
- 3.4. Den Handgriff an der richtigen Stelle ansetzen (4);
- 3.3. Die vier Schrauben auf den Seitenteilen der Struktur erneut einsetzen und andrehen, zwei am linken und zwei am rechten Seitenteil (5);
- 3.6. Den Cover wieder in vertikale Stellung drehen (6);
- 3.7. Die Schraube zur Befestigung des Covers an der Struktur wieder einsetzen und andrehen (7);

### ►► 4. BEDIENUNG

Dieser Luftentfeuchter ist ein Gerät mit Kühlzyklus, dessen Betrieb auf dem physischen Prinzip beruht: die Luft kommt mit einer kalten Oberfläche in Berührung, auf der sie die Feuchtigkeit in Form von Kondenswassertropfen oder von Eis (im Falle einer mäßigen Raumtemperatur) abscheidet.

Praktisch sorgt ein Kühlgerät für eine fortlaufende Kühlung einer Flügelbatterie, durch welche die Luft strömt und dabei abgekühlt und entfeuchtet wird. Anschließend wird sie durch einen warmen Wärmetauscher geleitet, in dem sie erwärmt wird und in den Raum entfeuchtet und leicht erwärmt gegenüber der anfänglichen Temperatur zurückströmt.

Vgl. hierzu Zeichnung (Abb. 3):

Die Luft wird auf der vorderen Seite des Luftentfeuchters angesaugt, strömt durch den Filter (1), den Ventilator (2), den kalten Wärmetauscher (Verdampfer) (3), den warmen Wärmetauscher (Kondensator) (4), wonach die entfeuchtete Luft durch das rückseitige Gitter in den Raum verteilt wird. Das Kondenswasser wird im Kanister (5) gesammelt. Wenn das Wasser im Kanister ein bestimmtes Niveau erreicht, wird das Gerät mittels eines Mikroschalters (6) angehalten. Der Feuchtigkeitsregler (7) ermöglicht den Betrieb des Luftentfeuchters sofern die Raumfeuchtigkeit auf einen höheren als den gewünschten Grad ansteigt. Eine Leiterplatte (8) steuert die Abtauung und verhindert schädliche aufeinander folgende Startversuche des Verdichters (9) mit consequenter Startverzögerung.

Diese Luftentfeuchter sind mit einer Heißgas-Abtauvorrichtung ausgestattet und haben daher ein Magnetventil mit Bypass für das Heißgas, eine besondere Leiterplatte und einen Abtau-Thermostat.

Der Betrieb des Abtausystems ist eine Exklusivität unserer Produkte: es handelt sich praktisch um ein System mit elektronischer Steuerung, das den Bypass für das Heißgas nur über die unbedingt erforderliche Zeit anwendet. Dadurch wird die Nutzdauer des Luftentfeuchters verlängert und die Heißgas-Betriebsphase verkürzt.

### ►► 5. BEDIENTAFEL

Die Bedientafel (Abb. 4) ist auf der hinteren Seite des Luftentfeuchters angeordnet und umschließt:

- 5.1. FEUCHTIGKEITSREGLER (1): Der Feuchtigkeitsregler hat eine Abstufung mit einem Skalenbereich von 1 bis 5. Wird der Feuchtigkeitsregler auf den Mindestwert (1) eingestellt, bringt der Luftentfeuchter die relative Raumfeuchtigkeit auf 80%. Bei Einstellung des Feuchtigkeitsreglers auf den Höchstwert (5) bringt der Luftentfeuchter die relative Raumfeuchtigkeit auf 20%. Wenn der Luftentfeuchter auf „CONT“ geschaltet ist, funktioniert er immer unabhängig von der relativen Feuchtigkeit. In Stellung „OFF“ startet der Luftentfeuchter nie (einpoliger Schalter).
- 5.2. STUNDENZÄHLER (2): Der Stundenzähler gibt die Anzahl der Betriebsstunden des Luftentfeuchters an.
- 5.3. WAHLSCHALTER DER VENTILATORGESCHWINDIGKEIT (3): Anhand des Wahlschalters der Ventilatorgeschwindigkeit kann der

Luftentfeuchter je nach Bedarf mit einem max. Luftdurchfluss oder mit einem durchschnittlichen Luftdurchfluss betrieben werden.

- ▶ 5.4. ALARMSIGNALLAMPE (4): Die Alarmsignallampe tritt in den Leuchtzustand sofern im Falle eines Standard-Luftentfeuchters mit Kanister der Behälter voll ist oder der direkte Auslass verstopft ist, oder aber im Falle eines Luftentfeuchters mit Pumpe (Option) eine Betriebsstörung des Auslass-Systems aufgetreten ist. Während des Leuchtzustandes der Signallampe funktioniert der Luftentfeuchter nicht und ist rückzusetzen, damit er wieder startet.
- ▶ 5.5. STECKDOSE DES ENTFERNT ANGEORDNETEN FEUCHTIGKEITSREGLERS (5): Wird ein entfernt angeordneter Feuchtigkeitsregler mit der Steckdose verbunden, kann die relative Raumfeuchtigkeit wunschgemäß gesteuert werden.
- ▶ 5.6. SPANNUNGSWECHSELSCHALTER (6) (sofern vorhanden): In den Modellen mit doppelter Spannung (... DV) kann die Betriebsspannung des Luftentfeuchters an die Netzspannung angepasst werden.

### ▶▶ 6. INBETRIEBNAHME

**WICHTIGER HINWEIS: Bei Modellen mit doppelter Spannung (...DV) überprüfen:**

▶ 1-POSITION DES SPANNUNGSWECHSELSCHALTERS (220-240V / 110-120V) (Abb. 5); Sollte die am Gerät eingestellte Spannung nicht der vom Netz zugeführten entsprechen, muss diese angeglichen werden. Die beiden Befestigungsschrauben des Deckels (Abb. 6) ausschrauben, den Schalter auf die zugeführte Spannung einstellen (schieben/drücken) (Abb. 7) und den Anschlussdeckel wieder montieren (Abb. 8).

▶ 2-DEN TYP DER STECKDOSE KONTROLLIEREN; Sollte die Steckdose nicht mit den Daten des gelieferten Netzstroms übereinstimmen, ist ein zweckentsprechender Adapter zu installieren.

**SOFERN DIE POSITION DES SPANNUNGSWECHSELSCHALTERS, DER STECKDOSENTYP UND DIE NETZSPANNUNG KOHÄRENT SIND, KANN DER VORGANG ZUM EINSCHALTEN DES GERÄTS EINGELEITET WERDEN.**

**Es ist sehr wichtig, dass der Luftentfeuchter vor der Inbetriebsetzung mindestens acht Stunden lang vertikal steht (normale Betriebsposition). Die Nichtbeachtung dieser Regel kann endgültige Folgeschäden des Entfeuchters bewirken.**

- ▶ 6.1. Sämtliche Sicherheitsanleitungen befolgen;
- ▶ 6.2. Den Stecker an das Stromnetz anschließen (Abb. 9) (SIEHE SPANNUNG AUF DER "TABELLE DER TECHNISCHEN DATEN");
- ▶ 6.3. Den Feuchtigkeitsregler (1 Abb. 4) auf den gewünschten Wert der relativen Feuchtigkeit drehen, wonach der Luftentfeuchter automatisch startet.

Der Wahlschalter der VENTILATORGESCHWINDIGKEIT (3 Abb. 4) ermöglicht, den Luftentfeuchter je nach Bedarf mit einem max. Luftdurchfluss oder mit einem durchschnittlichen Luftdurchfluss zu betreiben und somit ein behagliches Raumklima herzustellen.

### ▶▶ 7. ABSCHALTEN

Zum Abschalten des Luftentfeuchters:

- ▶ 7.1. Den Feuchtigkeitsregler (1 Abb. 4) auf „OFF“ drehen;
- ▶ 7.2. Den Stecker bei abgeschaltetem Luftentfeuchter aus der Netzstrombuchse ziehen (Abb. 10).

### ▶▶ 8. ANSCHLUSS AN DEN ENTFERNT ANGEORDNETEN FEUCHTIGKEITSREGLER

Bei den Modellen, die für einen entfernt angeordneten Feuchtigkeitsregler vorgerüstet sind (5 Abb. 4) den mit dem Luftentfeuchter verbundenen Verschluss entfernen und den entfernt angeordneten Feuchtigkeitsregler (Option) elektrisch

anschließen (Abb. 11). Für einen einwandfreien Betrieb des Luftentfeuchters ist der Knauf des Feuchtigkeitsreglers auf der Bedientafel vollständig auf „CONT“ zu drehen (1 Abb. 4) und die gewünschte Feuchtigkeit am entfernten Feuchtigkeitsregler einzustellen.

### ▶▶ 9. WENN DER LUFTENTFEUCHTER NICHT STARTET ODER NICHT ENTFEUCHTET

Leuchtzustand der „ALARMSIGNALLAMPE“ (4 Abb. 4) bedeutet, dass der Wasserkonister voll ist und/oder die Pumpe (Option) eine Betriebsstörung aufweist; es genügt, den Kanister zu entleeren und/oder den Pumpenbetrieb wiederherzustellen. Könnte das Problem hiermit nicht behoben werden, ist eine technische Vertrags-Kundendienststelle heranzuziehen.

### ▶▶ 10. ANSCHLUSS AN EIN AUSLASSROHR

Dieser Luftentfeuchter kann direkt an ein festes Auslassrohr angeschlossen werden.

▶ 10.1. STANDARD-LUFTENTFEUCHTER MIT KANISTER.: Der Behälter hat einen Anschlussstutzen, an den ein Rohr mit einem Innendurchmesser von 16mm angeschlossen werden kann. Vor Anschluss des Rohres den Schraubverschluss (wo vorhanden) (Abb. 12) abdrehen und überprüfen, ob der Stutzen rein ist, um eventuelle Verstopfungen zu verhindern.

▶ 10.2. LUFTENTFEUCHTER MIT PUMPE (OPTION): Es besteht die Möglichkeit, eine Pumpe (Option) für den Wasserauslass am Luftentfeuchter (Abb. 13) zu installieren. Die Verbindung ist problemlos und nimmt wenig Zeit in Anspruch; dies durch die elektrische Vorrüstung (spezifischer Verbinder) und die hydraulische Vorrüstung (rückseitig angebrachter Stutzen, an den ein Rohr mit einem Innendurchmesser von 16mm angeschlossen werden kann). Vor Anschluss des Rohres den Schraubverschluss (wo vorhanden) (Abb. 14) abdrehen und überprüfen, ob der Stutzen rein ist, um eventuelle Verstopfungen zu verhindern. SÄMTLICHE ANLEITUNGEN UND EINZELHEITEN ZUR INSTALLATION WERDEN DEM BAUSATZ DER PUMPE BEIGESTELLT.

### ▶▶ 11. REGELMÄSSIGE WARTUNG

Zur Instandhaltung des Geräts ist lediglich der Filter regelmäßig zu reinigen (Abb. 15). Zur Ausführung der Reinigungsarbeiten ist der Filter auf der vorderen Seite des Luftentfeuchters abzunehmen (Abb. 16) und unter einem Wasserstrahl eines normalen Waschbeckens zu spülen. Diese Reinigung ist durchschnittlich monatlich vorzunehmen, in sehr staubiger Umgebung öfter.

Auch die Flügelbatterie könnte in Abhängigkeit der Verwendung eine Reinigung unter Verwendung eines schwachen Wasserstrahls benötigen. Vor der Ausführung der Reinigungsarbeiten muss unbedingt der Netzstromstecker abgezogen werden (Abb. 10). Für eine ordnungsgemäße Reinigung sind folgende Arbeitsgänge auszuführen (Abb. 17-18):

- ▶ 11.1. Die Schraube, die den Cover an der Struktur befestigt, abdrehen (1);
- ▶ 11.2. Den Cover drehen (2);
- ▶ 11.3. Die beiden Schrauben abdrehen und die Schutzvorrichtung der Flügelbatterie abnehmen (3). (Die Flügelbatterie mit einem schwachen Wasserstrahl reinigen und da bei darauf achten, dass kein Wasser auf den elektrischen Schaltschrank gelangt. DAS WASSER IST SO AUSZURICHTEN; DASS ES VON OBEN NACH UNTEN FLIESST).
- ▶ 11.4. Die Schutzvorrichtung wieder installieren und die zwei Schrauben einsetzen und andrehen (4);
- ▶ 11.5. Den Cover wieder in vertikale Stellung drehen (5);
- ▶ 11.6. Die Schraube zur Befestigung des Covers an der Struktur wieder einsetzen und andrehen (6);

Vor dem erneuten Starten des Luftentfeuchters sicherstellen, dass die elektrischen Teile nicht nass oder feucht sind, unter normalen Bedingungen müssen mindestens acht Stunden vergehen. Diese Reinigung verbessert die Leistung des Luftentfeuchters und gewährleistet eine lange Nutzungsdauer.



**EL EQUIPO SE ENCUENTRA SELLADO Y CONTIENE GASES FLUORURADOS CON EFECTO DE INVERNADERO CONFORMES CON EL PROTOCOLO DE KYOTO. EL ÍNDICE "GWP" (acrónimo del inglés Global Warming Potential) SE ENCUENTRA EN LA "TABLA DE DATOS TÉCNICOS".**

**IMPORTANTE: ANTES DE EFECTUAR CUALQUIER OPERACIÓN DE MANTENIMIENTO, LIMPIEZA U OTRAS, DESCONECTE SIEMPRE LA MÁQUINA DE LA CORRIENTE ELÉCTRICA. ANTES DE ECHAR A ANDAR EL DESHUMIDIFICADOR, ASEGÚRESE DE QUE LAS PARTES ELÉCTRICAS NO ESTÉN MOJADAS Y/O HÚMEDAS.**

## ▶▶ 1. ADVERTENCIAS DE SEGURIDAD

Conecte siempre el deshumidificador a tomas de corriente eléctrica que presenten la conexión de tierra. El incumplimiento de esta norma es peligroso, como para todos los equipos eléctricos, y el fabricante no se asume ninguna responsabilidad de las consecuencias que se derivan del mismo.

El desmonte del equipo debe efectuarse exclusivamente por parte de un técnico calificado.

Cuando el equipo se encuentra conectado a una toma eléctrica debe mantenerse en posición vertical y no debe trasladarse con movimientos bruscos. Posibles pérdidas de agua del tanque pueden entrar en contacto con partes eléctricas y crear situaciones de peligro. Por esta razón, es indispensable extraer la toma antes de desplazar el deshumidificador y vaciar el tanque antes de levantarlo.

Si se verifica una dispersión de agua debido a un desplazamiento brusco, mantenga el deshumidificador en posición vertical por lo menos ocho horas antes de echarlo a andar.

Este deshumidificador aspira el aire por la parte delantera y lo extrae a través de la rejilla trasera; por este motivo, el panel delantero, que presenta el filtro del aire, debe colocarse a una distancia de por lo menos quince centímetros de la pared.

Además, el equipo no debe echarse a andar en espacios estrechos que puedan impedir la salida del aire por la rejilla trasera. Sin embargo, los paneles laterales pueden acercarse a las paredes ya que no crea dificultades al funcionamiento del mismo.

Este deshumidificador ha sido fabricado en conformidad con las normas de seguridad más severas. No deben introducirse objetos puntiagudos en la rejilla o en la abertura del panel delantero que permanece descubierto cuando se extrae el filtro (destornilladores, agujas de tejer o similares): esto puede ser peligroso para las personas y dañar el equipo.

Para limpiarlo externamente puede usarse un paño húmedo una vez que se haya desconectado la toma de la corriente eléctrica. No cubra la rejilla delantera con paños u otros objetos, el equipo puede dañarse y crear situaciones de peligro.

Limpie periódicamente el filtro: la limpieza debe ser mensual; si el ambiente de uso del equipo presenta mucho polvo, la limpieza debe ser más frecuente. Para la modalidad de la limpieza consulte el capítulo correspondiente. Cuando el filtro está sucio el aire sale con una temperatura más caliente a la común, esto daña el equipo y reduce su rendimiento.

## ▶▶ 2. DESCRIPCIÓN DEL DESHUMIDIFICADOR

Todos los deshumidificadores portátiles utilizan el ciclo refrigerador con compresor. Los equipos se describen a continuación.

## ▶▶ 3. ENSAMBLAJE DEL DESHUMIDIFICADOR

Este modelo está dotado de empuñadura. Este componente se encuentra en el interior del embalaje del deshumidificador. Para instalar la empuñadura efectúe el procedimiento siguiente (Fig. 1-2):

- ▶▶ 3.1. Retire el tornillo que fija la cobertura a la estructura (1);
- ▶▶ 3.2. Gire la cobertura (2);
- ▶▶ 3.3. Retire los 4 tornillos colocados en los laterales de la estructura, dos por la parte izquierda y dos por la parte derecha (3);
- ▶▶ 3.4. Coloque la empuñadura en la posición correcta (4);
- ▶▶ 3.5. Vuelva a colocar los 4 tornillos de los laterales de la estructura, dos por la parte izquierda y dos por la parte derecha (5);
- ▶▶ 3.6. Gire la cobertura para volverla a colocar en posición vertical (6);
- ▶▶ 3.7. Vuelva a colocar el tornillo que fija la cobertura a la estructura (7).

## ▶▶ 4. FUNCIONAMIENTO

Este deshumidificador es un equipo con ciclo refrigerador. El funcionamiento del mismo se basa en el principio físico donde el aire, que entra en contacto con una superficie fría, lo moja dando humedad en forma de gotas de condensación, o de hielo si la temperatura del ambiente es baja.

En práctica, una máquina frigorífica mantiene fría una batería con aletas, a través de la cual se hace pasar el aire que se enfría y deshumidifica. A continuación, pasando a través de un intercambiador de calor caliente, el aire se calienta para regresar deshumidificado al ambiente y con una temperatura ligeramente superior a la inicial.

Referencia al dibujo (Fig. 3):

El aire es aspirado por la parte delantera del deshumidificador: atraviesa el filtro (1), el ventilador (2), el intercambiador frío (evaporador) (3), el intercambiador caliente (condensador) (4) y al final el aire deshumidificado sale hacia el ambiente a través de la rejilla posterior. El agua condensada se deposita en el tanque (5). Un microinterruptor (6) detiene el equipo cuando el agua en el tanque alcanza un nivel determinado. El humidostato (7) permite el funcionamiento del deshumidificador cuando la humedad en el ambiente es mayor al nivel deseado. Una tarjeta electrónica (8) controla el deshielo e impide arranques cercanos dañosos para el compresor (9) y retrasa el encendido.

Estos deshumidificadores presentan un dispositivo de deshielo con gas caliente, por lo tanto presentan una electroválvula para el by pass del gas caliente, una tarjeta electrónica particular y un termostato de deshielo.

El funcionamiento del sistema de deshielo es una exclusividad de nuestros productos: se trata de un sistema con un termostato y un control electrónico, usa el by pass del gas caliente solo durante el tiempo necesario. Esto alarga la vida útil del deshumidificador reduciendo la fase de funcionamiento de gas caliente.

## ▶▶ 5. PANEL DE MANDOS

El panel de mandos (Fig. 4) se encuentra en la parte trasera del deshumidificador e incluye:

- ▶▶ 5.1. HUMIDOSTATO (1): El humidostato presenta una gradación con una escala que va de 1 a 5. Si el humidostato se configura con el valor mínimo (1) esto hace que el deshumidificador trabaje para obtener un 80% de humedad relativa en el ambiente. La configuración del humidostato con el valor máximo (5) hace que el deshumidificador trabaje para obtener un 20% de humedad relativa en el ambiente. En la posición "CONT" el

deshumidificador funciona siempre, independientemente del valor de la humedad relativa. En laposición "OFF" el deshumidificador no arranca (interruptor unipolar).

- ▶ 5.2. CUENTAHORAS (2): El cuentahoras indica el número de horas de funcionamiento del deshumidificador.
- ▶ 5.3. SELECTOR VELOCIDAD DE VENTILACIÓN (3): El selector de velocidad de ventilación permite hacer trabajar el deshumidificador con el caudal de aire máximo o con un caudal de aire intermedio, según las exigencias.
- ▶ 5.4. INDICADOR ALARMA (4): El indicador de alarma se enciende cuando en el caso estándar de deshumidificador con tanque, quiere decir que este último está lleno o la descarga directa se encuentra obstruida; o en el caso de deshumidificador con bomba (opcional) quiere decir que hay un mal funcionamiento en el sistema de descarga. Cuando se enciende el indicador el deshumidificador no funciona, reinicie el equipo para echarlo a andar otra vez.
- ▶ 5.5. TOMA HUMIDOSTATO REMOTO (5): Si el humidostato remoto se conecta a la toma, permite gestionar y controlar a distancia la humedad relativa que se quiere obtener en el ambiente.
- ▶ 5.6. INTERRUPTOR CAMBIO DE TENSIÓN (6) (donde esté presente): En los modelos con doble voltaje (...DV) es posible configurar la tensión de funcionamiento del deshumidificador, para ajustarse a la tensión suministrada por la red eléctrica.

## ▶▶ 6. ENCENDIDO

**IMPORTANTE:** En los modelos de doble voltaje (...DV), controle:

▶ 1-POSICIÓN DEL INTERRUPTOR CAMBIO DE TENSIÓN (220-240V / 110-120V) (Fig. 5) Si la tensión configurada no corresponde con la tensión suministrada por la red, es necesario intervenir para adecuar la tensión. Afloje los dos tornillos de fijación de la tapa (Fig. 6), desplace/presione el interruptor sobre el valor de tensión suministrada (Fig. 7) y monte nuevamente la tapa (Fig. 8).

▶ 2-COMPRUEBE EL TIPO DE TOMA; Si la toma no corresponde a las características del suministro de electricidad, es necesario ajustarse con un adaptador específico inmediatamente.

**SI LA POSICIÓN DEL INTERRUPTOR DE CAMBIO DE TENSIÓN, EL TIPO DE TOMA Y EL SUMINISTRO DE ELECTRICIDAD SON COHERENTES, ES POSIBLE EFECTUAR LA SECUENCIA DE ENCENDIDO.**

**Para poder poner en función el deshumidificador, este último debe permanecer en posición vertical (posición de uso normal) por al menos ocho horas. El incumplimiento de esta norma puede causar daños irreparables al deshumidificador.**

- ▶ 6.1. Efectúe todas las instrucciones relativas a la seguridad;
- ▶ 6.2. Conecte la toma de alimentación a la red eléctrica (Fig. 9) (VÉASE LA TENSIÓN EN LA "TABLA DE DATOS TÉCNICOS");
- ▶ 6.3. Gire el humidostato (1 Fig. 4) hacia el valor de humedad relativa deseada, el deshumidificador se encenderá de manera automática.

Gracias al selector "VELOCIDAD DE VENTILACIÓN" (3 Fig. 4), se puede hacer funcionar el deshumidificador con el caudal de aire máximo o con un caudal de aire intermedio según las exigencias, y de esta manera obtener el confort máximo en el ambiente.

## ▶▶ 7. APAGADO

Para apagar el deshumidificador, es necesario:

- ▶ 7.1. Girar el humidostato (1 Fig. 4) hacia "OFF";
- ▶ 7.2. Desconecte la toma de la alimentación de la red eléctrica con el deshumidificador apagado (Fig. 10).

## ▶▶ 8. CONEXIÓN HUMIDOSTATO REMOTO

Para los modelos con predisposición de humidostato remoto (5 Fig. 4), retire el tapón conectado al deshumidificador y conecte el humidostato remoto (opcional) (Fig. 11). Para un funcionamiento correcto del deshumidificador, gire completamente la empuñadura del humidostato que se encuentra en el panel de mandos (1 Fig. 4) hacia "CONT" y configurar la humedad deseada en el humidostato remoto.

## ▶▶ 9. SI EL DESHUMIDIFICADOR NO SE ENCIENDE O NO DESHUMIDIFICA

Si el "INDICADRO ALARMA" (4 Fig. 4) se enciende, quiere decir que el tanque de depósito del agua está lleno y/o hay un mal funcionamiento en la bomba (opcional), es suficiente vaciar el tanque y/o reiniciar la bomba. Si el problema se mantiene, contacte el centro de asistencia técnica autorizado.

## ▶▶ 10. CONEXIÓN A UNA TUBERÍA DE DESCARGA

Este deshumidificador prevé la posibilidad de conectar directamente el equipo a una tubería de descarga fija.

▶ 10.1. EN EL CASO ESTÁNDAR DE DESHUMIDIFICADOR CON TANQUE: El tanque presenta una unión a la cual se puede conectar un tubo con un diámetro interno de 16 mm. Antes de conectar el tubo retire el tornillo/tapón (donde esté presente) (Fig. 12) y compruebe la limpieza de la unión para evitar posibles obstrucciones.

▶ 10.2. EN EL CASO DE DESHUMIDIFICADOR CON BOMBA (OPCIONAL): Es posible instalar al deshumidificador una bomba (opcional) de descarga (Fig. 13). La conexión es fácil e inmediata, gracias a la predisposición eléctrica (conector específico) e hidráulica (unión colocada en la parte posterior donde es posible conectar un tubo con un diámetro interno de 16 mm). Antes de conectar el tubo retire el tornillo/tapón (donde esté presente) (Fig. 14) y compruebe la limpieza de la unión para evitar posibles obstrucciones. TODAS LAS INSTRUCCIONES Y DETALLES PARA LA INSTALACIÓN SE SUMINISTRAN EN EL KIT DE LA BOMBA.

## ▶▶ 11. MANTENIMIENTO PERIÓDICO

El único mantenimiento que debe ser efectuado periódicamente es la limpieza del filtro (Fig. 15). La limpieza se efectúa retirando el filtro de la parte delantera del deshumidificador (Fig. 16), el cual puede lavarse con el chorro de agua y directamente en un simple lavadero. Debe efectuarse cada mes; si el equipo se usa en ambientes con mucho polvo la limpieza debe ser más frecuente.

En dependencia del uso puede ser necesario efectuar la limpieza de la batería de aletas, la cual se efectúa con agua con poca presión. Antes de efectuar el lavado es absolutamente necesario desconectar la toma de la alimentación eléctrica (Fig. 10). Para efectuar un lavado correcto efectúe el siguiente procedimiento (Fig. 17-18):

- ▶ 11.1. Retire el tornillo que fija la cobertura a la estructura (1);
- ▶ 11.2. Gire la cobertura (2);
- ▶ 11.3. Retire los dos tornillos y retire la protección de la batería de aletas (3). (Lave la batería de aletas con agua con poca presión, prestando atención a no mojar el cuadro eléctrico. EL CAUDAL DEL AGUA DEBE SER SOLO DE ARRIBA HACIA ABAJO);
- ▶ 11.4. Vuelva a instalar y los dos tornillos (4);
- ▶ 11.5. Gire la cobertura para llevarlo hacia la posición vertical (5);
- ▶ 11.6. Vuelva a instalar el tornillo que fija la cobertura a la estructura (6).

Antes de echar a andar de nuevo el deshumidificador, asegúrese de que las partes eléctricas no estén mojadas y/o húmedas, en condiciones normales deben pasar por lo menos ocho horas. Esta limpieza mejora las prestaciones del deshumidificador y asegura una vida útil larga.



**L'APPAREIL EST SOUS SCELLÉS ET CONTIENT DES GAZ FLUORÉS A EFFET DE SERRE RÉGIS PAR LE PROTOCOLE DE KYOTO LE "GWP" EST REPORTÉ DANS LE "TABLEAU DES DONNÉES TECHNIQUES".**

**IMPORTANT: AVANT TOUT ENTRETIEN, NETTOYAGE, RÉPARATION OU AUTRE, DÉCONNECTER TOUJOURS LA PRISE D'ALIMENTATION DU RÉSEAU ÉLECTRIQUE. AVANT DE FAIRE RÉPARER LE DÉSHUMIDIFICATEUR, S'ASSURER QUE LES PARTIES ÉLECTRIQUES NE SONT PAS MOUILLÉES ET/OU HUMIDES.**

## ►► 1. AVERTISSEMENT DE SÉCURITÉ

Le déshumidificateur doit toujours être connecté à des prises de courant dotées d'une mise à la terre. Le non respect de cette norme, comme pour tous les appareils électriques, peut entraîner un danger dont le fabricant se dégage de toute responsabilité.

Le démontage de l'appareil doit exclusivement être effectué par un technicien qualifié.

Quand l'appareil est connecté à une prise électrique il doit être maintenu en position verticale et ne pas être déplacé violemment. D'éventuelles fuites d'eau provenant du réservoir peuvent entrer en contact avec les parties électriques ce qui entraîne des conséquences dangereuses évidentes. Il est donc indispensable de retirer la prise avant de déplacer le déshumidificateur et d'en vider le réservoir avant de le soulever.

Dans le cas où un déversement d'eau du à des mouvements brusques se produit, le déshumidificateur doit rester immobile en position verticale pendant au moins huit heures avant d'être remis en état de marche. Ce déshumidificateur aspire l'air dans la partie antérieure et l'expulse à travers la grille postérieure; par conséquent, le panneau antérieur qui porte le filtre à air doit être maintenu à une distance d'au moins quinze centimètres des parois.

De plus l'appareil ne doit pas être mis en marche dans des espaces confinés qui ne permettent pas la diffusion de l'air expulsé de la grille postérieure. Il est en revanche possible de positionner les panneaux latéraux contre les parois sans créer de difficultés pour un bon fonctionnement.

Ce déshumidificateur est fabriqué selon les normes de sécurité les plus strictes. Vous ne devez donc pas insérer d'objets pointus (tournevis, aiguilles à tricoter ou objets similaires) dans la grille ou dans l'ouverture qui reste découverte dans le panneau antérieur lors du retrait du filtre: ceci est dangereux pour les personnes et peut causer des dommages à l'appareil.

Pour le nettoyer à l'extérieur il est possible d'utiliser un chiffon humide après avoir déconnecté la prise d'alimentation du réseau électrique. Ne pas couvrir la grille frontale avec du tissu ou d'autres objets, l'appareil peut s'abîmer ou peut entraîner un danger.

Nettoyer périodiquement le filtre: le nettoyage doit être effectué en moyenne tous les mois; dans le cas d'une utilisation dans des environnements très poussiéreux le nettoyage doit être plus fréquent. Pour les modalités de nettoyage voir le chapitre correspondant. Quand le filtre est sale l'air qui sort est plus chaud de la normale, ce qui endommage l'appareil et en diminue les prestations.

## ►► 2. DESCRIPTION DU DÉSHUMIDIFICATEUR

Tous les déshumidificateurs portables utilisent le cycle frigorifique avec compresseur. Les appareils sont décrits ci-dessous.

## ►► 3. ASSEMBLAGE DU DÉSHUMIDIFICATEUR

Ce modèle est doté d'une poignée. Ce composant est contenu à l'intérieur de l'emballage du déshumidificateur. Pour installer la poignée suivre la procédure suivante (Fig. 1-2):

- 3.1. Retirer la vis qui fixe le couvercle de la structure (1);
- 3.2. Faire pivoter le couvercle (2);
- 3.3. Retirer les quatre vis positionnées sur les cotés de la structure, deux sur le coté gauche et deux sur le coté droit (3);
- 3.4. Positionner la poignée dans la position correcte (4);
- 3.5. Réinstaller les quatre vis positionnées sur les cotés de la structure, deux sur le coté gauche et deux sur le coté droit (5);
- 3.6. Faire pivoter le couvercle et le remettre en position verticale (6);
- 3.7. Réinstaller la vis qui fixe le couvercle à la structure (7).

## ►► 4. FONCTIONNEMENT

Ce déshumidificateur est un appareil à cycle frigorifique dont le fonctionnement se base sur le principe physique selon lequel lorsque l'air entre en contact avec une surface froide elle la mouille en créant de l'humidité sous la forme de gouttes de condensation ou de glace lorsque la température ambiante n'est pas élevée.

D'un point de vue pratique, une machine frigorifique maintient une batterie à ailettes froide et l'air qui passe à travers se refroidit et déshumidifie. Ensuite, en passant à travers un échangeur de chaleur chaud, l'air se réchauffe pour revenir à une température ambiante déshumidifiée et à une température légèrement plus élevée que celle initiale. Référence au dessin (Fig. 3):

L'air est aspiré par la partie antérieure du déshumidificateur: il passe à travers le filtre (1), le ventilateur (2), l'échangeur froid (évaporateur) (3), l'échangeur chaud (condensateur) (4) et, enfin, l'air déshumidifié sort et est expulsé dans l'environnement en passant par la grille arrière. L'eau condensée est recueillie dans le réservoir (5). Un micro-interrupteur (6) arrête l'appareil lorsque l'eau du réservoir atteint un certain niveau. L'hygrostat (7) permet le fonctionnement du déshumidificateur lorsque l'humidité ambiante est supérieure au niveau souhaité. Une carte électronique (8) gère le dégivrage et empêche des départs rapprochés du compresseur (9) en en retardant le lancement. Ces déshumidificateurs sont équipés d'un dispositif de dégivrage à gaz chaud, ils sont par conséquent équipés d'une électrovanne pour le by-pass du gaz chaud, d'une carte électronique spéciale et d'un thermostat de dégivrage. Le fonctionnement du système de dégivrage est une exclusivité de nos produits: il s'agit d'un système doté d'un thermostat et d'un contrôle électronique qui utilise le by-pass du gaz chaud uniquement pendant le temps strictement nécessaire. Cela allonge la durée de vie du déshumidificateur en réduisant la phase de fonctionnement à gaz chaud.

## ►► 5. PANNEAU DE COMMANDE

Le panneau de commande (Fig. 4) est positionné dans la partie postérieure du déshumidificateur et comprend:

- 5.1. HYGROSTAT(1): L'hygrostat a une graduation avec une échelle qui va de 1 à 5. Régler l'hygrostat sur la valeur minimale (1) signifie faire fonctionner le déshumidificateur jusqu'à obtenir 80% d'humidité dans l'environnement. Régler l'hygrostat sur la valeur maximale (5) signifie faire fonctionner le déshumidificateur jusqu'à obtenir 20% d'humidité dans l'environnement. En position «CONT» le déshumidificateur fonctionne toujours indépendamment de la valeur de l'humidité correspondante. En position «OFF» le déshumidificateur ne fonctionne pas (interrupteur unipolaire).

- ▶ 5.2. COMPTEUR (2): Le compteur indique le nombre d'heures de fonctionnement du déshumidificateur.
- ▶ 5.3. SÉLECTEUR DE VITESSE DE VENTILATION (3): Le sélecteur de vitesse de ventilation permet de faire fonctionner le déshumidificateur avec le maximum d'air ou avec un débit d'air intermédiaire selon les exigences.
- ▶ 5.4. VOYANT ALARME (4): Le voyant de l'alarme s'allume quand, dans le cas standard d'un déshumidificateur avec réservoir, celui-ci est plein ou quand le déchargeur est bouché; dans le cas d'un déshumidificateur avec pompe (en option) cela signifie que le système de décharge fonctionne mal. Quand le voyant s'allume le déshumidificateur ne fonctionne pas, remettre l'appareil à zéro pour le faire repartir.
- ▶ 5.5. PRISE HYGROSTAT A DISTANCE (5): En connectant un hygromètre à distance à la prise il est possible de gérer et de contrôler à distance l'humidité ambiante que vous souhaitez obtenir.
- ▶ 5.6. INTERRUPTEUR CHANGEMENT TENSION (6) (le cas échéant): Pour les modèles à double voltage (...DV) il est possible de régler la tension de fonctionnement du déshumidificateur pour l'adapter à la tension fournie par le réseau électrique.

## ▶▶ 6. ALLUMER

**IMPORTANT: Pour les modèles à double voltage (...DV), contrôler:**

▶ 1-POSITION DE L'INTERRUPTEUR CHANGEMENT DE TENSION (220-240V / 110-120V) (Fig. 5); Si la tension configurée ne correspond pas à celle fournie par le réseau, il est nécessaire d'intervenir pour adapter la tension. Dévisser les deux vis de fixation du couvercle (Fig. 6), déplacer/appuyer sur l'interrupteur sur la valeur de tension fournie (Fig. 7) et retirer le couvercle (Fig. 8).

▶ 2-VERIFIER LA TYPOLOGIE DE LA PRISE; Si la typologie de la prise ne correspond pas aux caractéristiques de la fourniture électrique, il est nécessaire de l'adapter grâce à un adaptateur spécifique.

**SI LA POSITION DE L'INTERRUPTEUR DE CHANGEMENT DE TENSION, LA TYPOLOGIE DE LA PRISE ET LA FOURNITURE ÉLECTRIQUE SONT COHÉRENTS, IL EST POSSIBLE DE POURSUIVRE AVEC LA SÉQUENCE D'ALLUMAGE.**

**Pour pouvoir être mis en marche, le déshumidificateur doit être resté en position verticale (position d'utilisation normale) pendant au moins huit heures. Le non respect de cette norme peut causer un endommagement irréparable au déshumidificateur.**

- ▶ 6.1. Suivre toute les instructions concernant la sécurité;
- ▶ 6.2. Connecter la prise d'alimentation au réseau électrique (Fig. 9) (VOIR TENSION DANS LE «TABLEAU DES DONNÉES TECHNIQUES»);
- ▶ 6.3. Tourner l'hygromètre (1 Fig. 4) sur la valeur de l'humidité souhaitée, le déshumidificateur se mettra en marche automatiquement.

Grâce au sélecteur de «VITESSE DE VENTILATION» (3 Fig. 4) il est possible de faire fonctionner le déshumidificateur avec le maximum d'air ou avec un débit d'air intermédiaire selon les exigences, afin d'obtenir le maximum de confort ambiant.

## ▶▶ 7. ÉTEINDRE

Pour éteindre le déshumidificateur il est nécessaire de:

- ▶ 7.1. Tourner l'hygromètre (1 Fig. 4) vers «OFF»;
- ▶ 7.2. Débrancher la prise du réseau électrique lorsque le déshumidificateur est éteint (Fig. 10).

## ▶▶ 8. CONNEXION DE L'HYGROSTAT A DISTANCE

Pour les modèles avec pré-disposition d'hygromètre à distance (5 Fig. 4), retirer le bouchon connecté au déshumidificateur et connecter l'hygromètre à distance (en option) (Fig. 11). Pour un bon fonctionnement du déshumidificateur, tournez entièrement le bouton de l'hygromètre sur le panneau de commande (1 Fig. 4) vers «CONT» et régler l'humidité souhaitée de l'hygromètre à distance.

## ▶▶ 9. SI LE DÉSHUMIDIFICATEUR NE DÉMARRE PAS OU S'IL NE DÉSHUMIDIFIE PAS

Si le «VOYANT ALARME» (4 Fig. 4) s'allume, cela signifie que le réservoir de récupération d'eau est plein et/ou qu'il y a un dysfonctionnement de la pompe (en option), il suffit de vider le réservoir et/ou de réinitialiser la pompe. Si le problème persiste, contactez le centre d'assistance technique autorisé.

## ▶▶ 10. CONNEXION A UN TUYAU D'ÉVACUATION

Ce déshumidificateur permet de connecter l'appareil directement à un tuyau d'évacuation fixe.

▶ 10.1. DANS LE CAS STANDARD D'UN DÉSHUMIDIFICATEUR AVEC RÉSERVOIR: Le réservoir a un connecteur auquel il est possible de connecter un tube de 16mm de diamètre interne. Avant de raccorder le tuyau, retirer la vis/bouchon (le cas échéant) (Fig. 12) et vérifier la propreté du raccord afin d'éviter de possibles obstructions.

▶ 10.2. DANS LE CAS D'UN DÉSHUMIDIFICATEUR AVEC POMPE (EN OPTION): Il est possible d'installer une pompe (en option) d'évacuation de l'eau au déshumidificateur (Fig. 13). La connexion est simple et immédiate, grâce à la pré-disposition électrique (connecteur spécifique) et hydraulique (raccord placé à l'arrière où il est possible de connecter un tube de 16mm de diamètre interne). Avant de connecter le tuyau, retirer la vis/bouchon (le cas échéant) (Fig. 14) et vérifier la propreté du raccord afin d'éviter de possibles obstructions. TOUTES LES INSTRUCTIONS ET LES DÉTAILS POUR L'INSTALLATION SONT FOURNIS DANS LE KIT DE LA POMPE.

## ▶▶ 11. ENTRETIEN PERIODIQUE

Le seul entretien à effectuer périodiquement est le nettoyage du filtre (Fig. 15). Le nettoyage doit être effectué en retirant le filtre de la partie avant du déshumidificateur (Fig. 16) et en le plaçant sous un jet d'eau normale. Il doit être effectué en moyenne tous les mois; dans le cas d'une utilisation dans des environnements très poussiéreux, le nettoyage doit être plus fréquent.

En fonction de son utilisation, un nettoyage de la batterie à ailettes avec de l'eau à basse pression peut être nécessaire. Avant d'effectuer le lavage il est absolument nécessaire de débrancher la prise d'alimentation du réseau électrique (Fig. 10). Pour effectuer un nettoyage correct, suivre la procédure suivante (Fig. 17-18):

- ▶ 11.1. Retirer la vis qui fixe le couvercle de la structure (1);
- ▶ 11.2. Faire pivoter le couvercle (2);
- ▶ 11.3. Retirer les deux vis et retirer la protection de la batterie à ailettes (3). (Laver la batterie à ailettes avec de l'eau à basse pression, en prenant soin de ne pas mouiller le panneau électrique. LE DÉBIT DE L'EAU DOIT ALLER UNIQUEMENT DU HAUT VERS LE BAS);
- ▶ 11.4. Réinstaller la protection et réinstaller les deux vis (4);
- ▶ 11.5. Faire pivoter le couvercle pour le ramener en position verticale (5);
- ▶ 11.6. Réinstaller la vis qui fixe le couvercle à la structure (6).

Avant de faire redémarrer le déshumidificateur, s'assurer que les parties électriques ne sont pas mouillées et/ou humides, dans des conditions normales il faut attendre au moins huit heures. Ce nettoyage améliore les prestations du déshumidificateur et lui garantit une longue durée de vie.

**HET TOESTEL IS HERMETISCH DICT EN BEVAT GEFLUOREERDE BROEIKASGASSEN DIE DOOR HET KYOTO-PROTOCOL GERELEMENTEERD ZIJN. DE "GWP" STAAT VERMELD IN DE "TABEL MET TECHNISCHE GEGEVENS".**

**BELANGRIJK: VOORALEER ONDERHOUD, REPARATIES OF ANDERE INTERVENTIES UIT TE VOEREN, MOET UD ALTIJD DE STEKKER UIT HET STOPCONTACT HALEN. VOORALEER DE ONTVOCHTIGER OPNIEUW TE LATEN STARTEN, MIET U CONTROLEREN OF DE ELEKTRISCHE ONDERDELEN NIET NAT EN/OF VOCHTIG ZIJN.**

nl

### ►► 1. VEILIGHEIDSWAARSCHUWINGEN

De ontvochtiger moet altijd worden aangesloten op een stopcontact voorzien van aarding. Zoals bij alle elektrische apparaten, betekent het niet naleven van deze norm een gevaar waarvoor de fabrikant geen enkele verantwoordelijkheid op zich neemt.

Het demonteren van het apparaat mag uitsluitend door een gekwalificeerde technicus worden uitgevoerd.

Wanneer het toestel op een stopcontact is aangesloten, moet het in verticale stand worden gehouden en mag het niet bruusk worden verplaatst. Eventueel water dat uit de tank lekt, kan met elektrische onderdelen in contact komen, wat vanzelfsprekend gevaar met zich meebrengt. Om die reden is het noodzakelijk om de stekker uit het stopcontact te halen vooraleer de ontvochtiger te verplaatsen en de tank uit te gieten vooraleer die op te tillen.

Wanneer er zich water verspreidt ten gevolge van bruuske verplaatsingen, moet de ontvochtiger minstens acht uur onbeweeglijk in verticale stand worden gehouden vooraleer het apparaat opnieuw in werking te stellen.

Deze ontvochtiger zuigt lucht aan in het deel vooraan en stoot deze aangezogen lucht uit via het rooster aan de achterkant. Dit betekent dat het voorpaneel, waarin de luchtfilter zit, op minstens vijftien centimeter van de muren verwijderd moet worden gehouden.

U mag het toestel bovendien niet in enge ruimten laten werken, waar de lucht die uit het rooster aan de achterkant komt niet in de omgeving kan worden verspreid. Het is daarentegen wel mogelijk om de zijpanelen tegen de muren te zetten zonder problemen voor de normale werking te veroorzaken.

Deze ontvochtiger is gebouwd in overeenstemming met de strengste veiligheidsnormen. Verder mag u geen puntige voorwerpen (schroevendraaiers, breinaalden of dergelijke meer) steken in het rooster of in de opening die niet door het voorpaneel is bedekt wanneer de filter wordt uitgetrokken: dit is gevaarlijk voor de mensen en kan het toestel beschadigen.

Om het toestel aan de buitenkant schoon te maken, haalt u eerst de stekker uit het stopcontact, daarna kunt u een vochtige doek gebruiken. Het rooster vooraan niet afdekken met kleding of ander voorwerpen, dit beschadigt het toestel en kan gevaar doen ontstaan.

Maak de filter regelmatig schoon: de reiniging dient gemiddeld iedere maand te gebeuren. Wanneer het apparaat in zeer stoffige omgevingen wordt gebruikt, moet deze reiniging vaker worden uitgevoerd. Raadpleeg het betreffende hoofdstuk voor de uitvoering van de reiniging. Wanneer de filter vuil is, komt de lucht warmer dan normaal naar buiten; hierdoor raakt het apparaat beschadigd en wordt het rendement ervan verminderd.

### ►► 2. BESCHRIJVING VAN DE ONTVOCHTIGER

Alle draagbare ontvochtigers gebruiken de koelcyclus als compressor. De apparaten worden hierna beschreven.

### ►► 3. ASSEMBLAGE VAN DE ONTVOCHTIGER

Dit model is voorzien van een handgreep. Dit component zit in de verpakking van de ontvochtiger. Volg de onderstaande procedure om de handgreep te installeren (Fig. 1-2):

- 3.1. Verwijder de schroef die de cover op de structuur bevestigt (1);
- 3.2. Laat de cover draaien (2);
- 3.3. Verwijder de vier schroeven op de zijflanken van de structuur, twee op de linkerflank en twee op de rechterflank (3);
- 3.4. Plaats de handgreep in de correcte positie (4);
- 3.5. Plaats de vier schroeven op de zijflanken van de structuur terug, twee op de linkerflank en twee op de rechterflank (5);
- 3.6. Laat de cover draaien om die opnieuw in verticale positie te brengen (6);
- 3.7. Plaats de schroef terug die de cover op de structuur bevestigt (7).

### ►► 4. WERKING

Deze ontvochtiger is een apparaat met koelcyclus waarvan de werking gebaseerd is op het fysische principe dat lucht die met een koud oppervlak in contact komt dit oppervlak nat maakt door vocht af te geven in de vorm van condensdruppels, of ijs als de omgevingstemperatuur niet hoog is.

In de praktijk houdt een koelmachine een gevinde batterij koud, waardoor de lucht wordt gestuurd die hier afkoelt en vocht afgeeft. Vervolgens passeert de lucht door een warme warmtewisselaar, waar de lucht opnieuw opwarmt om zonder vocht terug in de omgeving terug te keren bij een temperatuur die lichtjes hoger ligt dan de initiële temperatuur.

Zie de tekening (Fig. 3):

De lucht wordt via het deel vooraan van de ontvochtiger aangezogen: de lucht passerer door de filter (1), de ventilator (2), de koude warmtewisselaar (verdampers) (3), de warme warmtewisselaar (condensator) (4) en ten slotte komt de lucht zonder vocht naar buiten en wordt in de omgeving gebracht via het rooster aan de achterkant. Het gecondenseerde water wordt in de tank (5) opgevangen. Een microschemelaar (6) stopt het apparaat wanneer het water in de tank een bepaald niveau bereikt. Dankzij de vochtigheidsregelaar (7) kan de ontvochtiger werken wanneer de vochtigheid in de omgeving hoger is dan het gewenste niveau. Een elektronische kaart (8) beheert het ontdooien en belet dat de compressor (9) snel na elkaar start en stopt, waardoor het apparaat beschadigd raakt, door het starten te vertragen.

Deze ontvochtigers zijn uitgerust met een ontdooi-inrichting met warm gas, ze zijn voorzien van een elektrische klep voor de by-pass van het warme gas, een bijzondere elektronische kaart en een thermostaat voor het ontdooien.

De werking van het ontdooisysteem is exclusief voor onze producten; in de praktijk is het een systeem met een thermostaat en een elektronische besturing, die zorgt dat de by-pass van het warme gas enkel gedurende de strikt noodzakelijke tijdsspanne wordt gebruikt. Hierdoor wordt de levensduur van de ontvochtiger verlengd en wordt de fase waarin met warm gas wordt gewerkt gereduceerd.

### ►► 5. BEDIENINGSPANEEL

Het bedieningspaneel (Fig. 4) bevindt zich aan de achterkant van de ontvochtiger en omvat:

- 5.1. VOCHTIGHEIDSREGELAAR (1): De vochtigheidsregelaar heeft een schaalverdeling die gaat van 1 tot 5. De instelling van de vochtigheidsregelaar op de minimale waarde (1) betekent dat de ontvochtiger zal werken tot 80% relatieve vochtigheid in de omgeving wordt verkregen. De instelling van de vochtigheidsregelaar op de maximale waarde (5) betekent dat de ontvochtiger zal werken tot 20% relatieve vochtigheid in de omgeving wordt verkregen. In de stand "CONT" werkt de ontvochtiger altijd, onafhankelijk van de waarde van de relatieve vochtigheid. In de stand "OFF" start de ontvochtiger nooit (unipolaire schakelaar).
- 5.2. URENTELLER (2): De urenteller geeft het aantal werkuren van de ontvochtiger aan.



- ▶ 5.3.KEUZESCHAKELAAR VENTILATIESNELHEID (3): Via de keuzeschakelaar voor de ventilatiesnelheid kunt u de ontvochtiger op maximaal luchtdebiet of op een tussenwaarde van het luchtdebiet laten werken, afhankelijk van de noodwendigheden.
- ▶ 5.4.ALARMLAMPJE (4): Het alarmlampje gaat aan wanneer in geval van standaard ontvochtiger met tank het reservoir vol is of de rechtstreekse afvoer verstopt is of wanneer er in geval van ontvochtiger met pomp (optie) een probleem is met de werking van het afvoersysteem. Wanneer het lampje aan gaat, werkt de ontvochtiger niet. Herstel het apparaat om het opnieuw te laten starten.
- ▶ 5.5.AANSLUITING VOCHTIGHEIDSREGELAAR OP AFSTAND (5): Door een vochtigheidsregelaar op afstand op deze aansluiting te verbinden, kunt u de relatieve vochtigheid die u in de omgeving wenst te bekomen op afstand beheren en controleren.
- ▶ 5.6.SCHAKELAAR OM DE SPANNING OM TE ZETTEN (6) (waar aanwezig): Bij modellen met dubbele spanning (...DV), kunt u de werkingsspanning van de ontvochtiger instellen om het apparaat aan te passen aan de geleverde spanning van het elektriciteitsnet.

## ▶▶ 6. INSCHAKELING

**BELANGRIJK:** Bij modellen met dubbele spanning (... DV) moet u het volgende controleren:

▶ 1- **POSITIE VAN DE SCHAKELAAR OM DE SPANNING OM TE ZETTEN (220-240V / 110-120V) (Fig. 5);** als de ingestelde spanning niet overeenkomt met de spanning die door het net wordt geleverd, moet u de spanning gaan aanpassen. Draai de bevestigingsschroeven van de afdekking los (Fig. 6), verplaats of druk de schakelaar op de waarde van de geleverde spanning (Fig. 7) en monteer de afdekking opnieuw (Fig. 8).

▶ 2- **CONTROLEER HET TYPE AANSLUITING;** als het type van de aansluiting niet overeenkomt met de kenmerken van de elektrische voeding, moet u die aanpassen met behulp van een specifieke adapter.

**ALS DE POSITIE VAN DE SCHAKELAAR VOOR HET OMZETTEN VAN DE SPANNING, HET TYPE VAN DE AANSLUITING EN DE ELEKTRISCHE VOEDING COHERENT ZIJN, KUNT U VERDERGAAN MET DE SEQUENTIE VOOR INSCHAKELING.**

**Om de ontvochtiger in werking te kunnen stellen, moet het apparaat gedurende minstens acht uur in verticale stand (stand voor normaal gebruik) zijn gebleven. De ontvochtiger kan onherstelbaar beschadigd raken als deze norm niet wordt nageleefd.**

- ▶ 6.1.Volg alle instructies met betrekking tot de veiligheid;
- ▶ 6.2.Steek de stekker in het stopcontact (Fig. 9) (ZIE SPANNING IN "TABEL TECHNISCHE GEGEVENS");
- ▶ 6.3.Draai de vochtigheidsregelaar (1 Fig. 4) op de waarde van de gewenste relatieve vochtigheid; de ontvochtiger gaat nu automatisch aan.

Dankzij de keuzeschakelaar "VENTILATIESNELHEID" (3 Fig. 4) kunt u de ontvochtiger op maximaal luchtdebiet of op een tussenwaarde van het luchtdebiet laten werken, afhankelijk van de noodwendigheden, om zo een maximaal comfort in de omgeving te verkrijgen.

## ▶▶ 7. UITSCHAKELING

Om de ontvochtiger uit te schakelen, moet u het volgende uitvoeren:

- ▶ 7.1.Draai de vochtigheidsregelaar (1 Fig. 4) naar "OFF";
- ▶ 7.2.Haal de stekker uit het stopcontact wanneer de ontvochtiger uit staat (Fig. 10).

## ▶▶ 8. AANSLUITING VOCHTIGHEIDSREGELAAR OP AFSTAND

Bij modellen met voorziening voor een vochtigheidsregelaar op afstand (5 Fig. 4), moet u de afdekking aangesloten op de ontvochtiger wegnemen en er de ontvochtiger op afstand

(optie) aansluiten (Fig. 11). Om de ontvochtiger correct te laten werken, draait u de knop van de ontvochtiger op het bedieningspaneel (1 Fig. 4) volledig naar "CONT" en stelt u de gewenste vochtigheid in op de vochtigheidsregelaar op afstand.

## ▶▶ 9. ALS DE ONTVOCHTIGER NIET START OF GEEN VOCHT ONTTREKT

Als het "ALARMLAMPJE" (4 Fig. 4) aangaat, betekent dit dat de tank voor recuperatie van water vol is en/of dat de pomp (optie) niet naar behoren werkt; het volstaat om de tank uit te gieten en/of de pomp te herstellen. Neem contact op met een erkend centrum voor technische assistentie als het probleem niet verdwijnt.

## ▶▶ 10. AANSLUITING OP EEN AFVOERLEIDING

Deze ontvochtiger voorziet de mogelijkheid om het apparaat rechtstreeks op een vaste afvoerleiding aan te sluiten.

▶ 10.1.IN HET GEVAL VAN EEN STANDAARD ONTVOCHTIGER MET TANK: Het reservoir heeft een koppeling waarop u een buis met 16mm binnendiameter kunt aansluiten. Vooraleer de buis aan te sluiten, moet u de schroef/dop (waar aanwezig) verwijderen (Fig. 12) en controleren of de koppeling rein is, teneinde mogelijke obstructies te vermijden.

▶ 10.2.IN HET GEVAL VAN EEN ONTVOCHTIGER MET POMP (OPTIE): Het is mogelijk om op de ontvochtiger een pomp (optie) te installeren om het water af te voeren (Fig. 13). De aansluiting is gemakkelijk en snel dankzij de elektrische voorziening (specifieke connector) en hydraulische voorziening (koppeling aan de achterkant waar een buis met 16mm binnendiameter kan worden aangesloten). Vooraleer de buis aan te sluiten, moet u de schroef/dop (waar aanwezig) verwijderen (Fig. 14) en controleren of de koppeling rein is, teneinde mogelijke obstructies te vermijden. **ALLE INSTRUCTIES EN DETAILS VOOR HET INSTALLEREN ZITTEN IN DE KIT VAN DE POMP.**

## ▶▶ 11. PERIODIEK ONDERHOUD

Het enige periodieke onderhoud dat uitgevoerd moet worden, is de reiniging van de filter (Fig. 15). De reiniging geschiedt door de filter aan de voorkant van de ontvochtiger weg te nemen (Fig. 16) en die onder een straal stromend water boven een gootsteen te houden. Dit moet gemiddeld iedere maand gebeuren. Wanneer het apparaat in zeer stoffige omgevingen wordt gebruikt, moet deze reiniging vaker worden uitgevoerd. Afhankelijk van het gebruik kan het nodig zijn om de gevinde batterij schoon te maken met behulp van water onder lage druk. Vooraleer deze spoeling uit te voeren, is het absoluut noodzakelijk om de stekker uit het stopcontact te halen (Fig. 10). Volg de onderstaande procedure om een correcte spoeling uit te voeren (Fig. 17-18):

- ▶ 11.1.Verwijder de schroef die de cover op de structuur bevestigt (1);
- ▶ 11.2.Laat de cover draaien (2);
- ▶ 11.3.Verwijder de twee schroeven en verwijder de bescherming van de gevinde batterij (3). (Spoel de gevinde batterij met water onder lage druk, let op dat u het elektrische schakelbord niet nat maakt. **HET WATER MAG UITSLUITEND VAN BOVEN NAAR BENEDEN STROMEN**);
- ▶ 11.4.Plaats de bescherming terug en plaats de twee schroeven terug (4);
- ▶ 11.5.Laat de cover draaien om die opnieuw in verticale positie te brengen (5);
- ▶ 11.6.Plaats de schroef terug die de cover op de structuur bevestigt (6).

Vooraleer de ontvochtiger opnieuw te laten starten, moet u controleren of de elektrische onderdelen niet nat e,/of vochtig zijn, in normale condities moeten er minstens acht uur verstrijken. Deze reiniging verbetert de prestaties van de ontvochtiger en zorgt ervoor dat het apparaat langer meegaat.

**O APARELHO É SIGILADO E CONTÉM GASES FLUORADOS COM EFEITO DE ESTUFA REGULAMENTADOS PELO PROTOCOLO DE KYOTO. O “GWP” ESTÁ INDICADO NA “TABELA DE DADOS TÉCNICOS”.**

**IMPORTANTE: ANTES DE QUALQUER INTERVENÇÃO DE MANUTENÇÃO, REPARO, ETC. DESCONECTAR A FICHA DA REDE DE ALIMENTAÇÃO ELÉCTRICA. ANTES DE RELIGAR O DESUMIDIFICADOR, CERTIFICAR-SE DE QUE AS PARTES ELÉCTRICAS NÃO ESTEJAM MOLHADAS E/OU HÚMIDAS.**

pt

## ▶▶ 1. ADVERTÊNCIAS DE SEGURANÇA

O desumidificador deve estar sempre ligado à tomadas eléctricas dotadas de ligação à terra. A inobservância desta norma, como ocorre para todos os aparelhos eléctricos, é causa de perigo cujas consequências e responsabilidades não podem ser atribuídas ao fabricante.

A desmontagem do aparelho tem de ser efectuada exclusivamente por um técnico autorizado e qualificado.

O aparelho, após ser conectado a uma tomada eléctrica, deve ser mantido em posição vertical e não deve ser deslocado bruscamente. Eventuais perdas de água a partir do reservatório podem entrar em contacto com as partes eléctricas, com consequências óbvias de perigo. É indispensável, portanto, desconectar a ficha antes de deslocar o desumidificador e esvaziar o reservatório antes de içá-lo.

Caso ocorra um espalhamento de água após deslocamentos improvisos, o desumidificador deve permanecer parado na posição vertical por pelo menos oito horas antes de ser novamente ligado.

Este desumidificador aspira o ar frontalmente e o expulsa através da grade traseira; o painel dianteiro que suporta o filtro de ar deve, portanto, ser mantido a uma distância de pelo menos 15 centímetros das paredes.

O aparelho não deve operar em espaços confinados, que não permitam uma correcta distribuição no ambiente do ar de saída da grade traseira. É possível aproximar os painéis laterais às paredes sem criar dificuldades para regular o funcionamento.

Este desumidificador foi fabricado no respeito das mais severas normas de segurança. Não introduzir objectos pontiagudos (chaves de fenda, agulhas de tricô ou ferramentas similares) na grade ou na abertura que permanece desprotegida no painel dianteiro em caso de extracção do filtro: é perigoso para as pessoas e pode danificar o dispositivo.

Para limpar a parte externa, utilizar um pano húmido após desconectar a ficha da rede de alimentação eléctrica. Não cobrir a grade dianteira com panos ou outros objectos, pois isto pode causar danos ao aparelho e perigos em geral.

Limpar periodicamente o filtro: a limpeza tem de ser efectuada mediamente uma vez por mês; em caso de uso em ambientes particularmente empoeirados a frequência deve ser maior. Relativamente aos modos de limpeza, consultar o respectivo capítulo. O ar sai mais quente do que o normal se o filtro estiver sujo, afectando o desempenho do aparelho e causando danos ao mesmo.

## ▶▶ 2. DESCRIÇÃO DO DESUMIDIFICADOR

Todos os desumidificadores portáteis utilizam o ciclo frigorífico com compressor. Os aparelhos são descritos a seguir.

## ▶▶ 3. MONTAGEM DO DESUMIDIFICADOR

Este modelo está equipado com uma alça. Tal componente foi inserido na embalagem do desumidificador. A fim de instalar a alça, observar o seguinte procedimento (Fig. 1-2):

- ▶ 3.1.Extrair o parafuso de fixação da tampa à estrutura (1);
- ▶ 3.2.Girar a tampa (2);
- ▶ 3.3.Extrair os quatro parafusos posicionados lateralmente (dois na parte lateral esquerda e dois na parte lateral direita da estrutura) (3);
- ▶ 3.4.Posicionar correctamente a alça (4);
- ▶ 3.5.Aparafusar os quatro parafusos posicionados lateralmente (dois na parte lateral esquerda e dois na parte lateral direita da estrutura) (5);
- ▶ 3.6.Girar a tampa até reposicioná-la verticalmente (6);
- ▶ 3.7.Aparafusar o parafuso de fixação da tampa à estrutura (7).

## ▶▶ 4. FUNCIONAMENTO

Este desumidificador é um aparelho com ciclo frigorífico cujo funcionamento baseia-se no seguinte princípio físico: o ar provoca, em contacto com uma superfície fria, provoca o humedecimento da mesma (cedendo humidade sob a forma de gotas de condensação ou de gelo se a temperatura ambiente não for elevada).

Praticamente, uma máquina frigorífera mantém fria uma bateria de aletas, através da qual o ar de passagem esfria e desumidifica. A seguir, passando através de um permutador de calor quente, o ar é aquecido para ser reintroduzido no ambiente desumidificado e a uma temperatura ligeiramente superior à inicial.

Referência ao esquema (Fig. 3):

O ar é aspirado pela parte dianteira do desumidificador: atravessa o filtro (1), o ventilador (2), o permutador frio (evaporador) (3), o permutador quente (condensador) (4); o ar desumidificado é enfim reintroduzido no ambiente através da grade traseira. A água condensada é recolhida num reservatório (5). Um micro-interruptor (6) interrompe o funcionamento do aparelho após a água do reservatório atingir um determinado nível. O humidóstato (7) permite o funcionamento do desumidificador quando a humidade no ambiente for mais elevada do que o nível desejado. Um cartão electrónico (8) controla o descongelamento e impede ignições repetidas e danosas do compressor (9), atrasando o arranque.

Estes dispositivos estão dotados de um dispositivo de descongelamento com gás quente: estão ademais dotados de uma electroválvula para o desvio do gás quente, de um cartão electrónico especial e de um termóstato de descongelamento.

O funcionamento do sistema de descongelamento é uma exclusividade de nossos produtos: na prática, um sistema com um termóstato e controlo electrónico utiliza o desvio do gás quente apenas pelo tempo estritamente necessário. Isso prolonga a vida útil do desumidificador reduzindo a fase operacional com gás quente.

## ▶▶ 5. PAINEL DE CONTROLO

O painel de comandos (Fig. 4) foi instalado na parte traseira do aparelho e inclui:

- ▶ 5.1.HUMIDÓSTATO (1): O humidóstato prevê uma graduação que varia de 1 a 5. A definição do valor mínimo (1) significa permitir a operação do desumidificador até obter um valor de humidade relativa no ambiente de cerca 80%. A definição do valor máximo (5) significa permitir a operação do desumidificador até obter um valor de humidade relativa no ambiente de cerca 20%. Na posição “CONT” o desumidificador funciona sempre independentemente do valor de humidade relativa. Na posição “OFF” o desumidificador não é capaz de operar (interruptor unipolar).



- ▶ 5.2. CONTADOR DE HORAS (2): O contador de horas indica o número de horas de funcionamento do aparelho.
- ▶ 5.3. SELECTOR DE VELOCIDADE DE VENTILAÇÃO (3): O selector de velocidade de ventilação permite que o desumidificador possa trabalhar com o fluxo de ar máximo ou intermédio, em função das exigências operacionais.
- ▶ 5.4. INDICADOR DE ALARME (4): O indicador de alarme acende-se, em caso de desumidificador com reservatório, após o enchimento deste último ou o entupimento da descarga directa ou, no caso de desumidificador com bomba (opcional), na ocorrência de um mau funcionamento do sistema de descarga. Após a excitação e o acendimento do indicador o funcionamento do desumidificador é bloqueado; deve-se restaurar o aparelho a fim de religá-lo.
- ▶ 5.5. TOMADA PARA HUMIDÓSTATO REMOTO (5): Conectando um humidóstato remoto à tomada, pode-se gerir e controlar a distância o valor da humidade relativa desejado para o ambiente.
- ▶ 5.6. INTERRUPTOR DE ADAPTAÇÃO À TENSÃO (6) (se presente): Nos modelos idóneos para voltagens duplas (...DV) é possível definir a tensão de funcionamento do desumidificador respeitando as características da tensão da rede eléctrica.

## ▶▶ 6. LIGAÇÃO

**IMPORTANTE:** Nos modelos idóneos para voltagens duplas (...DV) controlar:

- ▶ 1-POSIÇÃO DO INTERRUPTOR DE ADAPTAÇÃO À TENSÃO (220-240V / 110-120V) (Fig. 5); Se a tensão definida não corresponder à tensão de rede, intervir para a adequação. Desaparafusar os dois parafusos de fixação da tampa (Fig. 6), girar/premir o interruptor definindo o valor correspondente à tensão fornecida pela rede (Fig. 7) e montar novamente a tampa (Fig. 8).
- ▶ 2-VERIFICAR A TIPOLOGIA DA TOMADA; Se a tipologia da tomada não for correspondente às características da tensão de rede utilizar adaptadores idóneos e correctamente dimensionados.

**SE A POSIÇÃO DO INTERRUPTOR DE ADAPTAÇÃO À TENSÃO, A TIPOLOGIA DE TOMADA E A TENSÃO FORNECIDA PELA REDE FOREM COERENTES, PROCEDER NORMALMENTE COM A SEQUÊNCIA DE LIGAÇÃO.**

**O desumidificador deve permanecer em posição vertical (de funcionamento normal) por pelo menos oito horas antes de ser colocado em função. A inobservância desta norma pode danificar irreparavelmente o desumidificador.**

- ▶ 6.1. Observar atentamente todas as instruções relacionadas à segurança;
  - ▶ 6.2. Conectar a ficha de alimentação à rede eléctrica (Fig. 9) (VER A TENSÃO NA “TABELA DE DADOS TÉCNICOS”);
  - ▶ 6.3. Girar o humidóstato (1 Fig. 4) até atingir o valor de humidade relativa desejado; o desumidificador será automaticamente ligado.
- Através do selector “VELOCIDADE DE VENTILAÇÃO” (3 Fig. 4), pode-se definir o fluxo de ar máximo ou intermédio, em função das efectivas exigências operacionais, de forma a obter o máximo conforto ambiental.

## ▶▶ 7. DESLIGAMENTO

Para desligar o desumidificador é necessário:

- ▶ 7.1. Girar o humidóstato (1 Fig. 4) para a posição “OFF”;
- ▶ 7.2. Desconectar a ficha de alimentação da rede eléctrica com o aparelho desligado (Fig. 10).

## ▶▶ 8. LIGAÇÃO REMOTA DO HUMIDÓSTATO

Para os modelos predispostos para tal operação (5 Fig. 4), extrair a tampa ligada ao desumidificador e conectar o

humidóstato remoto (opcional) (Fig. 11). Para um correcto funcionamento do desumidificador, girar completamente o manípulo do humidóstato situado no painel de controlo (1 Fig. 4) para a posição “CONT” e definir o valor de humidade relativa desejado no aparelho remoto.

## ▶▶ 9. SE O DESUMIDIFICADOR NÃO LIGAR OU NÃO FUNCIONAR APROPRIADAMENTE

O acendimento do “INDICADOR DE ALARME” (4 Fig. 4) está a significar que o reservatório de recolha da água está repleto ou uma anomalia funcional da bomba (opcional): é suficiente, portanto, esvaziar o reservatório e/ou restaurar o normal funcionamento da bomba. Se o problema persistir, dirigir-se a um centro de assistência técnica autorizado.

## ▶▶ 10. LIGAÇÃO A UMA TUBULAÇÃO DE DESCARGA

Este desumidificador prevê a possibilidade de conectar o aparelho directamente a uma tubulação de descarga.

▶ 10.1. NO CASO PADRÃO DE DESUMIDIFICADOR COM RESERVATÓRIO: O reservatório está dotado de uma junta a qual é possível conectar um tubo com diâmetro interno de 16mm. Antes de conectar o tubo, extrair o parafuso/tampa (se presente) (Fig. 12) e verificar a limpeza e integridade da junta a fim de evitar possíveis obstruções.

▶ 10.2. NO CASO DE DESUMIDIFICADOR COM BOMBA (OPCIONAL): É possível instalar uma bomba (opcional) de descarga da água ao desumidificador (Fig. 13). A ligação é simples e imediata, graças à preparação eléctrica (conector específico) e hidráulica (junta posicionada na parte traseira a qual é possível conectar um tubo com diâmetro interno de 16mm). Antes de conectar o tubo, extrair o parafuso/tampa (se presente) (Fig. 14) e verificar a limpeza e integridade da junta a fim de evitar possíveis obstruções. **TODAS AS INSTRUÇÕES E OS DETALHES PARA A INSTALAÇÃO SÃO FORNECIDOS NO KIT DA BOMBA.**

## ▶▶ 11. MANUTENÇÃO PERIÓDICA

A única intervenção de manutenção a ser realizada periodicamente é a limpeza do filtro (Fig. 15). A limpeza tem de ser efectuada prévia extracção do filtro a partir da parte dianteira do desumidificador (Fig. 16) e o posicionamento do elemento filtrante sob um normal jacto de água. Tem de ser efectuada mediamente uma vez por mês; em caso de uso em ambientes particularmente empoeirados a frequência deve ser maior.

De acordo com o uso, pode ser necessária a limpeza da bateria de aletas (com água sob baixa pressão). Antes de efectuar uma lavagem deve-se obrigatoriamente desconectar a ficha da rede de alimentação eléctrica (Fig. 10). Para efectuar correctamente o procedimento de lavagem, observar as seguintes indicações (Fig. 17-18):

- ▶ 11.1. Extrair o parafuso de fixação da tampa à estrutura (1);
- ▶ 11.2. Girar a tampa (2);
- ▶ 11.3. Extrair os dois parafusos e remover a protecção da bateria de aletas (3). (Lavar a bateria de aletas com água sob baixa pressão, prestando atenção para não molhar o quadro eléctrico. O FLUXO DA ÁGUA DEVE SER VERTICAL, DE CIMA PARA BAIXO);
- ▶ 11.4. Reinstalar a protecção e aparafusar os dois parafusos (4);
- ▶ 11.5. Girar a tampa até reposicioná-la verticalmente (5);
- ▶ 11.6. Aparafusar o parafuso de fixação da tampa à estrutura (6).

Antes de religar o desumidificador, certificar-se de que as partes eléctricas não estejam molhadas e/ou húmidas; em condições normais devem transcorrer pelo menos oito horas. Essa operação de limpeza melhora o desempenho do aparelho e prolonga a sua vida útil.

**APPARATET ER FORSEGLET OG INDEHOLDER FLUORHOLDIGE DRIVHUSGASSER OMFATTET AF KYOTO-PROTOKOLLEN. "GWP" ER ANGIVET I DEN "TEKNISKE DATATABEL".**

**VIGTIGT: FØR ENHVER VEDLIGEHOLDELSE, RENGØRING, REPARATION ELLER ANDET, TRÆK ALTID STIKKET UD AF STIKKONTAKTEN. FØR AFFUGTEREN GENSTARTES, KONTROLLÉR, AT DE ELEKTRISKE DELE IKKE ER VÅDE OG/ELLER FUGTIGE.**

## ►► 1. SIKKERHEDSADVARSLER

Affugteren bør altid være tilsluttet stikkontakter med jordforbindelse. Manglende overholdelse af denne regel, som med alle elektriske apparater, forårsager fare med følgende konsekvenser, som producenten ikke påtager sig noget ansvar for.

Afmonteringen af apparatet skal udelukkende udføres af en kvalificeret tekniker.

Når apparatet er tilsluttet en stikkontakt, bør den holdes i en lodret position og må ikke flyttes voldsomt. Enhver lækage af vand fra beholderen kan komme i kontakt med elektriske dele, med indlysende konsekvenser for fare. Det er derfor vigtigt at frakoble stikket før affugteren flyttes og beholderen tømmes, inden den løftes.

Hvis der påvises vandudslip som følge af pludselige bevægelser, bør affugteren forblive stationær i oprejst stilling i mindst otte timer, før den bliver sat tilbage i drift.

Denne affugter trækker luft ind i den forreste del og udstøder det gennem det bageste gitter; derfor skal frontpanelet, som holder luftfilteret, holdes i en afstand af mindst femten centimeter fra væggene.

Apparatet må desuden ikke være i drift i trange rum, der ikke tillader spredning af luften, der kommer ud fra det bageste gitter. Det er derimod muligt at knytte sidepanelerne til væggene uden at skabe vanskeligheder for den regelmæssige funktion.

Denne affugter er fremstillet i henhold til de strengeste sikkerhedsstandarder. Der må dog ikke indsættes skarpe genstande (skruetrækkere, strikkepinde eller lignende) i gitteret eller i den åbning, som forbliver uden dæksel på frontpanelet, når filteret fjernes: det er farligt for mennesker og kan beskadige apparatet. Brug en fugtig klud til at rengøre ydersiden af den, efter at have taget stikket ud af stikkontakten. Tildæk ikke det forreste gitter med klude eller andre genstande, apparatet kan blive beskadiget og kan skabe fare.

Rens filteret regelmæssigt: rengøringen skal udføres gennemsnitlig hver måned; i tilfælde af brug i meget støvede omgivelser, bør rengøringen foretages hyppigere. For rengøringsmetoderne, se det pågældende kapitel. Når filteret er snavset kommer luften ud varmere end normalt, og kan derfor forårsage skader på apparatet og reducere udbyttet.

## ►► 2. BESKRIVELSE AF AFFUGTEREN

Alle bærbare affugtere benytter kølecyklus med kompressor. Apparaterne er beskrevet nedenfor.

## ►► 3. MONTERING AF AFFUGTER

Denne model er udstyret med et håndtag. Dette komponent er indeholdt i emballagen med affugteren. For at installere håndtaget foretages følgende procedure (Fig. 1-2):

- 3.1. Fjern skruen, der fastgør dækslet til strukturen (1);
- 3.2. Drej dækslet (2);
- 3.3. Fjerner de fire skruer placeret på siderne af strukturen, to på venstre side og to på højre side (3);
- 3.4. Anbring håndtaget i den korrekte position (4);
- 3.5. Geninstaller de fire skruer placeret på siderne af strukturen, to på venstre side og to på højre side (5);
- 3.6. Drej dækslet for at bringe det tilbage i en lodret position (6);
- 3.7. Geninstaller skruen, der fastgør dækslet til strukturen (7).

## ►► 4. DRIFT

Denne affugter er et apparat med kølecyklus, hvis funktion er baseret på følgende fysiske princip; når luften kommer i kontakt med en kold overflade, affugter luften den ved at udsende fugt i form af dråber af kondensvand eller is, hvis den omgivende temperatur ikke er høj.

I praksis vil det sige en kølemaskine, der holder en køleenhed (spolen) kold, gennem hvilken luften trænger ind og bliver afkølet og affugtet. Når luften derefter kommer ind i en varmeveksler, bliver den opvarmet og udsendes i omgivelserne, affugtet og med en temperatur, der er en smule højere end starttemperaturen.

Henvielse til tegningen (Fig. 3):

Luften indsuges fra forsiden af affugteren og går; gennem filteret (1), ventilatoren (2), køleveksleren (fordamper) (3), varmeveksleren (kondensator) (4) og endelig udsuges den affugtede luft og sendes ud til omgivelserne gennem de bageste gitter. Det kondenserede vand opsamles i beholderen (5). En mikroafbryder (6) stopper apparatet, når vandet i beholderen når et bestemt niveau. Fugtighedsregulatoren (7) tillader drift af affugteren, når den omgivende luftfugtighed er højere end det ønskede niveau. Et elektronisk kort (8) styrer afrimningen og forhindrer tætte skadelige afgange af kompressoren (dvs at den indkobles alt for hurtigt) (9) ved at udsætte opstarten.

Disse affugtere er udstyret med en afrimningsanordning med varm gas og er derfor udstyret med en magnetventil til by pass af varm gas, et særligt elektronisk kort og en afrimningstermostat.

Afrimningssystemets funktion er eksklusiv for vores produkter: praktisk talt er det et system med en termostat og en elektronisk styring, der anvender by-pass af varm gas kun for den strengt nødvendige tid. Dette forlænger affugterens levetid ved at nedsætte den operationelle fase med varm gas.

## ►► 5. KONTROLPANEL

Kontrolpanelet (Fig. 4) den er placeret på bagsiden af affugteren og omfatter:

- 5.1. FUGTIGHEDSREGULATOR (1): Fugtighedsregulatoren fører en en skala inddelt i grader fra 1 til 5. Fugtighedsregulatorens indstilling på minimumværdi (1) betyder at affugteren kan betjenes indtil 80% af den relative luftfugtighed i rummet. Fugtighedsregulatorens indstilling til maksimumværdi (5) betyder at affugteren kan betjenes indtil 20% af den relative luftfugtighed i rummet. Positionen "CONT" angiver, at affugteren altid fungerer uanset den relative fugtighedsgrad. Positionen "OFF" angiver, at affugteren aldrig starter (enpolet afbryder).
- 5.2. TÆLLER (2): Tælleren viser antallet af affugterens driftstimer.
- 5.3. VENTILATORS HASTIGHEDSVÆLGER (3): Ventilatorens hastighedsvælger giver mulighed for at betjene affugteren på maksimal luftstrøm eller til en mellemliggende luftstrøm afhængigt af behovet.

- ▶ 5.4.KONTROLAMPE (4): Kontrolampen lyser, når affugteren med opsamlingsbeholderen er fuld eller afløbet direkte er tilstoppet eller hvis der i affugteren med pumpe (valgfri) findes en funktionsfejl i afløbssystemet. Når lampen tændes er affugteren ikke i funktion, gendan derfor apparatet for at genstarte den.
- ▶ 5.5.FJERNSTYRET FUGTIGHEDSREGULATOR TIL STIKKONTAKT (5): Ved at forbinde en den fjernstyrede fugtighedsregulator til stikkontakten, kan den relative luftfugtighed, der ønskes opnås i rummet, styres og kontrolleres.
- ▶ 5.6.AFBRYDER TIL SPÆNDINGSSKIFT (6) (hvis tilstede): Med dobbeltspændingsmodellerne (...DV), er det muligt at indstille driftsspændingen på affugteren for at tilpasse sig til den spænding, der leveres fra strømnettet.

## ▶▶6. TÆNDING

**VIGTIGT: Med dobbeltspændingsmodellerne (...DV), kontrollér:**

▶ **1-POSITION AF AFBRYDER TIL SPÆNDINGSSKIFT (220-240V / 110-120V) (Fig. 5);** Hvis den spænding, der er indstillet, ikke svarer til den, der leveres fra nettet, er det nødvendigt at gribe ind for at tilpasse spændingen. Skru de to fastgørelsesskruer på dækslet fri (Fig. 6), flyt/skub afbryderen på den leverede spændingsværdi (Fig.. 7) og genmonter dækslet (Fig. 8).

▶ **2-KONTROLLÉR TYPEN AF STIKKONTAKTEN;** Hvis typen af stikkontakt ikke svarer til den elektriske forsynings egenskaber, er det nødvendigt at tilpasse den ved hjælp af en særlig adapter.

**HVIS POSITIONEN AF AFBRYDEREN SKIFTER SPÆNDING, TYPEN AF STIKKONTAKTEN OG ELFORSYNINGEN ER OVERENSSTEMMENDE, ER DET MULIGT AT FORTSÆTTE MED TÆNDINGSSEKVENSEN.**

**For at blive sat i drift skal affugteren efterlades i en oprejst position (normale position) i mindst otte timer. Manglende overholdelse af denne standard kan medføre uoprettelig skade på affugteren.**

- ▶ 6.1.Følg alle sikkerhedsinstrukser;
- ▶ 6.2.Sæt stikket i stikkontakten (Fig. 9) (SE SPÆNDING I "TEKNISKE DATATABEL");
- ▶ 6.3.Drej fugtighedsregulatoren (1 Fig. 4) til den ønskede relative fugtighedsgrad, og affugteren vil starte automatisk.

Takket være vælgeren "VENTILATIONHASTIGHED" (3 Fig. 4), kan affugteren betjenes på maksimal luftstrøm eller til en mellemliggende luftstrøm afhængigt af behovet for at opnå maksimal komfort i rummet.

## ▶▶7. SLUKNING

For at slukke fugtighedsregulatoren, er det nødvendigt at:

- ▶ 7.1.Drej fugtighedsregulatoren (1 Fig. 4) mod "OFF";
- ▶ 7.2.Tag stikket ud af stikkontakten med affugteren slukket (Fig. 10).

## ▶▶8. TILSLUTNING AF FJERNSTYRET FUGTIGHEDSREGULATOR

For modeller med modtagelig fjernstyret fugtighedsregulator (5 Fig. 4), fjern proppen, der er tilsluttet til den fjernstyrede affugter og tilslut en (valgfri) (Fig. 11). For en korrekt drift af affugteren, drej håndtaget helt på fjernfugtighedsregulatoren placeret på kontrolpanelet (1 Fig. 4) mod "CONT" og indstil den ønskede luftfugtighed på den fjernstyrede fugtighedsregulator.

## ▶▶9. HVIS AFFUGTEREN IKKE STARTER ELLER IKKE AFFUGTER

Hvis "KONTROLLAMPEN" (4 Fig. 4) lyser, betyder det, at beholderen til vandopsamling er fyldt og/eller der er en fejlfunktion i pumpen (valgfri), så behøves det blot at tømme beholderen og/eller gendanne pumpen. Hvis problemet fortsætter, kontakt teknisk servicecenter.

## ▶▶10. TILSLUTNING TIL ET UDLEDNINGSRØR

Denne affugter giver mulighed for at tilslutte apparatet direkte til et fast udledningsrør.

▶ 10.1.I TILFÆLDE AF AFFUGTER MED BEHOLDER: Beholderen har en rørsamling, som kan tilsluttes et rør med en indvendig på diameter 16mm. Før røret tilsluttes, fjern skruen/proppen (hvis tilstede) (Fig. 12) og kontrollér rørsamlingens rengøringstilstand for at undgå mulige forhindringer.

▶ 10.2.I TILFÆLDE AF AFFUGTER MED PUMPE (VALGFRI): Det er muligt at installere en pumpe (valgfrit) til affugterens vand afløb (Fig. 13). Forbindelsen er nem og umiddelbar, takket være den elektriske (specifik stik) og hydraulisk modtagelighed (rørsamling placeret på den bageste side, hvor det er muligt at forbinde et rør med en indvendig på diameter 16mm). Før røret tilsluttes, fjern skruen/proppen (hvis tilstede) (Fig. 14) og kontrollér rørsamlingens rengøringstilstand for at undgå mulige forhindringer. ALLE INSTRUKTIONER OG DETALJER TIL INSTALLATIONEN LEVERES I SÆT AF PUMPEN.

## ▶▶11. REGELMÆSSIG VEDLIGEHOLDELSE

Den eneste vedligeholdelse, der skal udføres er regelmæssig rengøring af filteret (Fig. 15). Rengøringen skal ske ved at fjerne filteret fra affugterens forside (Fig. 16) og placér den under en vandstråle af en normal vask. Det skal udføres gennemsnitlig hver måned; i tilfælde af brug i meget støvede omgivelser, bør rengøringen foretages hyppigere.

Afhængigt af anvendelsen kan der være brug for en rengøring af køleenheden (spolen) med lavtryksvand. Før der foretages en vask, er det absolut nødvendigt, at trække stikket ud af stikkontakten (Fig. 10). For at udføre en korrekt vask, foretages følgende procedure (Fig. 17-18):

- ▶ 11.1.Fjern skruen, der fastgør dækslet til strukturen (1);
- ▶ 11.2.Drej dækslet (2);
- ▶ 11.3.Fjern de to skruer og fjern beskyttelsen af køleenheden (spolen) (3). (Vask køleenheden (spolen) med lavtryksvand, pas på ikke at gøre det elektriske panel vådt. VANDGENNEMSTRØMNINGEN MÅ KUN SKE FRA TOP TIL BUND);
- ▶ 11.4.Geninstallér beskyttelsen og geninstallér de to skruer (4);
- ▶ 11.5.Drej dækslet for at bringe det tilbage i en lodret position (5);
- ▶ 11.6.Geninstallér skruen, der fastgør dækslet til strukturen (6).

Før affugteren genstartes, kontrollér, at de elektriske dele ikke er våde og/eller fugtigt, under normale forhold skal der gå mindst otte timer. Denne rengøring forbedrer ydeevnen af affugteren og sikrer lang levetid.



**LAITE ON TIIVISTETTY JA SISÄLTÄÄ FLUORATTUJA KASVIHUONEKAASUJA, JOITA VALVOTAAN KIOTON SOPIMUKSELLA. "GWP" ON ANNETTU "TEKNISTEN TIETOJEN TAULUKOSSA".**

**TÄRKEÄÄ: ENNEN JOKAISTA HUOLTO-, PUHDISTUS-, KORJAUS- TAI MUUTA TOIMENPIDETTÄ, IRROTA AINA VIRTajohto SÄHKÖVERKOSTA. ENNEN ILMANKUIVAAJAN KÄYNNISTÄMISTÄ VARMISTA, ETTÄ SÄHKÖOSAT EIVÄT OLE MÄRKIÄ JA/TAI KOSTEITA.**

## ►► 1. TURVALLISUUSVAROITUKSET

Ilmankuivaaja on liitettävä aina maadoitettuihin pistorasioihin. Valmistaja ei ota vastuuta vaaratilanteista, jotka aiheutuvat tämän kaikkia sähkölaitteita koskevan määräyksen noudattamatta jättämisestä.

Laitteen purkamisen on annettava ainoastaan pätevän teknikon tehtäväksi.

Kun laite on liitetty pistorasiaan, se on pidettävä pystysuorassa asennossa eikä sitä saa siirtää voimalla. Mahdolliset säiliön vesivuodot voivat päästä kosketuksiin sähköosien kanssa aiheuttaen vaaratilanteen. Tästä syystä sähköjohto on irrotettava ennen ilmankuivaajan siirtämistä ja säiliö on tyhjennettävä ennen sen nostamista.

Jos vesivuotoja ilmenee äkkinäisten siirtojen jälkeen, ilmankuivaajan on pysyttävä paikallaan pystyasennossa vähintään kahdeksan tuntia ennen sen käyttöönottoa.

Tämä ilmankuivaaja imee ilmaa etupuolelta ja poistaa sitä takaritilän kautta; tästä syystä etupaneeli, joka sisältää ilmansuodattimen, on sijoitettava vähintään 15 senttimetrin etäisyydelle seinästä.

Laitetta ei saa myöskään käyttää ahtaissa tiloissa, jotka eivät salli takaritilästä poistuvan ilman kiertoa ympäristöön. Sen sijaan sivupaneelit on mahdollista nojata seinään aiheuttamatta toimintahäiriöitä.

Tämä ilmankuivaaja on valmistettu noudattaen tiukimpia turvallisuusmääräyksiä. Tämän lisäksi on kiellettyä työntää teräviä esineitä (ruuvimeisseleitä, neulepuikkoja tai vastaavia) ritilään tai etupaneelissa olevaan aukkoon, kun suodatin on poistettu: tämä aiheuttaa vaaran ihmisille ja voi vahingoittaa laitetta. Laitteen ulkoiseen puhdistamiseen voi käyttää kosteaa liinaa, sen jälkeen kun pistoke on irrotettu sähköverkosta. Älä peitä eturitiä liinoilla tai muilla esineillä, laite vahingoittuu tai voi aiheuttaa vaaratilanteen.

Puhdista suodatin säännöllisesti: puhdistus on tehtävä keskimäärin kerran kuussa; pölyisissä ympäristöissä puhdistus on tehtävä useammin. Puhdistusmenetelmiä varten katso asiaa koskeva luku. Kun suodatin on likainen, poistuva ilma on normaalia lämpimämpää, mikä vahingoittaa laitetta ja laskee suorituskykyä.

## ►► 2. ILMANKUIVAAJAN KUVAUS

Kaikki kannettavat ilmankuivaajat käyttävät kompressorilla toimivaa jäähdytyskykyä. Laitteet on kuvattu seuraavassa.

## ►► 3. ILMANKUIVAAJAN ASENTAMINEN

Tämä malli on varustettu kahvalla. Tämä osa löytyy ilmankuivaajan pakkauksesta. Kahvan asentamiseksi noudata seuraavia toimenpiteitä (Kuva 1-2):

► 3.1. Irrota ruuvi, joka kiinnittää rakenteen suojuksen (1);

► 3.2. Käännä suojusta (2);

► 3.3. Poista neljä rakenteen sivuihin sijoitettua ruuvia, kaksi vasemmalla ja kaksi oikealla sivulla (3);

► 3.4. Aseta kahva oikeaan asentoon (4);

► 3.5. Ruuvaa takaisin neljä rakenteen sivuihin kuuluvaa ruuvia, kaksi vasemmalle ja kaksi oikealla sivulle (5);

► 3.6. Käännä suojava viedäkseen sen takaisin pystyasentoon (6);

► 3.7. Ruuvaa suojan rakenteeseen kiinnittävä ruuvi takaisin (7).

## ►► 4. TOIMINTA

Tämä ilmankuivaaja toimii jäähdytyskykyllä, jonka fyysinen toimintaperiaate perustuu ilmiöön, jossa ilma tullessaan kosketukseen kylmän pinnan kanssa kastelee sen päästään kosteutta tiivistyvien pisaroiden muodossa, tai jäätyessä, jos ympäristön lämpötila on matala.

Periaatteessa jäähdytyskone pitää kylmänä jäähdytyspatteria, jolloin sen kautta kulkeva ilma jäähtyy ja kuivaa. Tämän jälkeen siirtyessään kuumaan lämmönvaihtimen läpi, ilma lämpenee palatakseen ympäristöön kuivana ja hieman lämpimämpänä kuin alkuperäinen ilma.

Viittaus kuvaan (Kuva 3):

Ilma imetään ilmankuivaajan etuosasta: se kulkee suodattimen (1), tuulettimen (2), kylmän lämmönvaihtimen (lauhdutin) (3), kuuman lämmönvaihtimen (kondensaattori) (4) läpi ja lopuksi kuivattu ilma poistuu ja kulkeutuu ympäristöön takaritilän kautta. Tiivistynyt vesi kerätään säiliöön (5). Mikrokytkin (6) sammuttaa laitteen, kun säiliössä oleva vesi saavuttaa määritetyn tason. Kosteudensäätölaitteisto (7) mahdollistaa laitteen toiminnan, kun ympäristön ilmankosteus on yli halutun tason. Sähköinen piirikortti (8) hallitsee huurtumista, ja estää kompressorin (9) lyhyitä vahingollisia käynnistymisiä viivästyttäen käynnistymistä.

Nämä ilmankuivaajat on varustettu kuumakaasulla toimivalla huurteenpoistolaitteella. Ne sisältävät kuumakaasun sähköisen ohitusventtiilin, erityisen sähköisen piirikortin ja jäätyminenestotermostaatin.

Huurteenpoistojärjestelmän toiminta on tuotteidemme erikoisuus: käytännössä termostaattilla ja sähköisellä valvontalaitteistolla toimiva järjestelmä käyttää kuumakaasun ohitusventtiiliä vain rajoitetusta tarvittavan ajan. Tämä pidetään ilmankuivaajan käyttöikä lyhentäen kuumakaasun toimintavaihetta.

## ►► 5. OHJAUSPANEELI

Ohjauspaneeli (Kuva 4) on sijoitettu ilmankuivaajan takapuolelle ja se sisältää:

► 5.1. KOSTEUDENSÄÄTÖLAITTEISTO (1):

Kosteudensäätölaitteisto sisältää asteikon välillä 1-5.

Kosteudensäätölaitteiston asettaminen minimitasolle

(1) tarkoittaa, että ilmankuivaaja toimii, kunnes ympäristön ilmankosteus saavuttaa 80% tason.

Kosteudensäätölaitteiston asettaminen maksimitasolle

(5) tarkoittaa, että ilmankuivaaja toimii, kunnes ympäristön ilmankosteus saavuttaa 20% tason.

Asetuksessa "CONT" ilmankuivaaja toimii aina riippumatta vastaavasta ilmankosteuden tasosta.

Asetuksessa "OFF" ilmankuivaaja ei käynnisty koskaan

(yksinapainen kytkin).

► 5.2. TUNNILASKURI (2): Tuntilaskuri näyttää

ilmankuivaajan toimintatuntien määrän.

► 5.3. TUULETUSNOPEUDEN VALITSIN (3):

Tuuletusnopeuden valitsin mahdollistaa ilmankuivaajan

toiminnan maksimi-ilmavirralla tai keskitason ilmavirralla,

tarpeesta riippuen.

► 5.4. HÄLYTYKSEN MERKKIVALO (4): Hälytyksen

merkkivalo syttyy, kun normaalissa tapauksessa

ilmankuivaajan säiliö on täynnä tai suoran vedenpoiston tapauksessa poistoputki on tukossa, tai pumpulla toimivan ilmankuivaajan (lisävaruste) poistojärjestelmässä on toimintahäiriö. Kun merkkivalo syttyy, ilmankuivaaja ei toimi. Palauta laitteen asetukset toiminnan jatkamiseksi.

- 5.5. ULKOISEN KOSTEUDENSÄÄTÖLAITTEISTON PISTOKE (5): Liittämällä pistokkeeseen ulkoinen kosteudensäätölaitteisto, ympäristön haluttua ilmankosteutta on mahdollista hallita ja valvoa etäohjauksella.
- 5.6. JÄNNITTEEN VAIHTOKYTKIN (6) (kun käytössä): Kaksoisjännitteellä (...DV) toimivissa malleissa on mahdollistaa vaihtaa ilmankuivaajan toimintajännitettä, sen sovittamiseksi sähköverkon jännitteeseen.

## ►► 6. KÄYNNISTÄMINEN

**TÄRKEÄÄ:** Kaksoisjännitteisissä malleissa (...DV) tarkista:

► 1-JÄNNITTEEN VAIHTOKYTKIMEN ASENTO (220-240V / 110-120V) (Kuva 5); Jos asetettu jännite ei vastaa verkkojännitettä, suorita toimenpiteet jännitteen säätämistä varten. Avaa kannen kaksi kiinnitysruuvia (Kuva 6), siirrä/paina kytkintä syötettävään jännitearvoon (Kuva 7) ja asenna kansi paikalleen (Kuva 8).

► 2-TARKISTA PISTOKETYYPPI; Jos pistokkeen tyyppi ei vastaa sähkötoimituksen ominaisuuksia, on tarpeellista ottaa käyttöön asianmukainen sovitin. **JOS JÄNNITTEEN VAIHTOKYTKIN, PISTOKKEEN TYYPPI JA SÄHKÖTOIMITUS OVAT YHTEENSOPIVIA, ON MAHDOLLISTA JATKAA KÄYNNISTYSVAIHEESEEN.**

Jotta ilmankuivaaja voidaan ottaa käyttöön, sen on oltava pystyasennossa (normaali käyttöasento) vähintään kahdeksan tuntia. Tämän määräyksen noudattamatta jättäminen voi tehdä ilmankuivaajan korjauskelvottomaksi.

- 6.1. Noudata kaikkia turvallisuuteen liittyviä ohjeita;
  - 6.2. Yhdistä virransyöttöjohto sähköverkkoon (Kuva 9) (KATSO JÄNNITE KOHDASSA "TEKNISTEN TIETOJEN TAULUKKO");
  - 6.3. Käännä kosteudensäätölaitteisto (1 Kuva 4) halutun ilmankosteusarvon kohdalle, ilmankuivaaja käynnistyy automaattisesti.
- Valitsin "TUULETUSNOPEUS" (3 Kuva 4) mahdollistaa ilmankuivaajan toiminnan maksimi-ilmavirralla tai keskitasoon ilmavirralla, tarpeesta riippuen, parhaan ympäristön mukavuuden saavuttamiseksi.

## ►► 7. SAMMUTTAMINEN

Ilmankuivaajan sammuttamiseksi on tarpeen:

- 7.1. Käännä kosteudensäätölaitteisto (1 Kuva 4) kohtaan "OFF";
- 7.2. Irrota virtajohto sähköverkosta ilmankuivaajan ollessa sammunut (Kuva 10).

## ►► 8. ULKOISEN KOSTEUDENSÄÄTÖLAITTEISTON LIITÄNTÄ

Malleissa, jotka on varustettu ulkoisella kosteudensäätölaitteistolla (5 Kuva 4), poista ilmankuivaajassa oleva korkki ja liitä ulkoinen kosteudensäätölaitteisto (lisävaruste) (Kuva 11). Ilmankuivaajan oikeaa toimintaa varten, käännä ohjauspaneelissa sijaitsevaa kosteudensäätimen nuppia (1 Kuva 4) täysin kohti asentoa "CONT" ja aseta haluttu ilmankosteus ulkoiseen kosteudensäätölaitteistoon.

## ►► 9. JOS ILMANKUIVAAJA EI KÄYNNISTY TAI SE EI KUIVAA

Jos "HÄLYTYKSEN MERKKIVALO" (4 Kuva 4) syttyy, se tarkoittaa, että veden keräyssäiliö on täynnä ja/tai pumpussa (lisävaruste) on toimintahäiriö. Riittää että tyhjennät säiliön ja/tai palautat pumpun asetukset. Jos ongelma jatkuu, ota yhteyttä valtuutettuun tekniseen asiakaspalveluun.

## ►► 10. LIITÄNTÄ POISTOLETKUUN

Tämä ilmankuivaaja on mahdollista liittää suoraan kiinteään poistoputkistoon.

► 10.1. PERUSMALLINEN SÄILIÖLLÄ VARUSTETTU ILMANKUIVAAJA: Säiliössä on liitos, joka on mahdollista yhdistää sisähalkaisijaltaan 16mm putkeen. Ennen putken liittämistä, poista ruuvi/korkki (kun olemassa) (Kuva 12) ja varmista liitoksen puhtaus, mahdollisten tukosten välttämiseksi.

► 10.2. PUMPULLA VARUSTETTU ILMANKUIVAAJA (LISÄVARUSTE): Ilmankuivaajaan on mahdollista asentaa vedenpoistopumppu (lisävaruste) (Kuva 13). Yhteys on helppo ja välitön sähköisen (erityinen liitin) ja hydraulisen (takaosaan sijoitettu liitos, johon on mahdollista yhdistää sisähalkaisijaltaan 16mm putki) liitintävalmiuden ansiosta. Ennen putken liittämistä, poista ruuvi/korkki (kun olemassa) (Kuva 14) ja varmista liitoksen puhtaus, mahdollisten tukosten välttämiseksi. **KAIKKI ASENNUSTA KOSKEVAT OHJEET JA TIEDOT TOIMITETAAN YHDESSÄ PUMPPUSARJAN KANSSA.**

## ►► 11. SÄÄNNÖLLINEN HUOLTO

Ainoa säännöllisesti tehtävä huoltotoimenpide on suodattimen puhdistus (Kuva 15). Puhdistus tehdään poistamalla suodatin ilmankuivaajan etuosasta (Kuva 16) ja suihkuttamalla sitä vedellä tavallisen pesualtaan hanan alla. Puhdistus on tehtävä keskimäärin kerran kuussa; pölyisissä ympäristöissä puhdistus on tehtävä useammin.

Käytöstä riippuen myös jäähdytyspatteri voi vaatia puhdistusta, suihkuttaen sitä vedellä matalalla paineella. Ennen pesua virtajohto on ehdottomasti irrotettava sähköverkosta (Kuva 10). Oikeaoppista pesua varten noudata seuraavia toimenpiteitä (Kuva 17-18):

- 11.1. Irrota ruuvi, joka kiinnittää rakenteen suojuksen (1);
- 11.2. Käännä suojusta (2);
- 11.3. Irrota kaksi ruuvia ja poista jäähdytyspatterin suoja (3). (Pese jäähdytyspatteri vedellä matalalla paineella varoen kastelemasta sähkötaulua. **VEDEN ON VIRRATTAVA VAIN YLHÄÄLTÄ ALASPÄIN**);
- 11.4. Asenna suoja uudelleen ja ruuvaa kaksi ruuvia paikalleen (4);
- 11.5. Käännä suojusta viedäksesi sen takaisin pystyasentoon (5);
- 11.6. Ruuvaa suojuksen rakenteeseen kiinnittävä ruuvi takaisin (6).

Ennen ilmankuivaajan käynnistämistä uudelleen, varmista että sähköiset osat eivät ole märkiä ja/tai kosteita, normaaliolosuhteissa on annettava kuluu vähintään kahdeksan tuntia. Tämä puhdistus parantaa ilmankuivaajan suorituskykyä ja varmistaa pitkän käyttöiän.



**APPARATET ER FORSEGLET OG INNEHOLDER FLUORISERTE KLIMAGASSER REGULERT AV KYOTOPROTOKOLLEN. "GWP" ER ANGITT I "TABELL FOR TEKNISKE DATA".**

**VIKTIG: FØR VEDLIKEHOLD, RENGJØRING, REPARASJON ELLER ANNET, TREKK STØPSELET UT FRA STRØMNETTET. FØR DU SETTER AVFUKTEREN PÅ IGJEN MÅ DU FORSIKRE DEG OM AT INGEN AV DE ELEKTRISKE DELENE ER VÅTE OG/ELLER FUKTIGE.**

## ►► 1. SIKKERHETSVARSLER

Avfukteren må alltid være koblet til et jordet strømuttak. Manglende overholdelse av denne forskriften, er som for alle elektriske apparater, farlig og produsenten kan ikke holdes ansvarlig. Demontering av apparatet må kun utføres av en kvalifisert tekniker.

Når apparatet er koblet til et strømuttak må det stå i vertikal posisjon og det må ikke utsettes for brå bevegelser. Vann som renner ut av tanken kan komme i kontakt med elektriske deler som kan få farlige konsekvenser. Det er derfor absolutt nødvendig å trekke ut støpselet før avfukteren flyttes og tømme tanken før den løftes.

Dersom det skulle oppstå en vannlekkasje som følge av brå bevegelser må avfukteren stå i ro i vertikal posisjon i minst åtte timer før den settes i drift igjen.

Denne avfukteren suger luften inn fra fremsiden og fører den ut gjennom gitteret på baksiden; frontpanelet må derfor stå minst femten cm fra vegger.

I tillegg må ikke apparatet brukes i trange rom som ikke tillater sirkulasjon av luften som kommer ut fra gitteret på baksiden. Derimot kan sidepanelene stå inntil vegger uten at dette hindrer normal drift. Denne avfukteren er konstruert i samsvar med de strengeste sikkerhetsforskriftene. Det må aldri føres spisse gjenstander (skrujern, strikkepinner eller lignende) inn i gitteret eller i åpningen som blir synlig på panelet foran når gitteret tas ut: dette er farlig for personer og kan skade apparatet.

For utvendig rengjøring kan du bruke en fuktig klut, men først må støpselet trekkes ut. Ikke dekk gitteret på fremsiden med tøy eller annet, fordi apparatet kan skades og være en årsak til fare.

Rengjør regelmessig filteret: rengjøring må utføres gjennomsnittlig hver måned; i tilfelle bruk i omgivelser hvor det er mye støv må dette utføres oftere. For hvordan rengjøre se tilhørende kapittel. Når filteret er skittent vil luften som kommer ut være varmere enn normalt og dette vil føre til skade på apparatet og reduksjon av ytelsen.

## ►► 2. BESKRIVELSE AV AVFUKTEREN

Alle de bærbare avfukterne bruker en kjølekrets med kompressor. Apparatene beskrives under.

## ►► 3. MONTERING AV LUFTAVFUKTEREN

Denne modellen har håndtak. Denne delen finner du inni emballasjen til avfukteren. For å sette på håndtaket følg denne prosedyren (Fig. 1-2):

- 3.1. Fjern skruen som fester dekselet til strukturen (1);
- 3.2. Vri dekselet (2);
- 3.3. Fjern de fire skruene på apparatets sider, to på venstre side og to på høyre side (3);
- 3.4. Sett håndtaket i korrekt posisjon (4);
- 3.5. Skru fast igjen de fire skruene på apparatets sider, to på venstre side og to på høyre side (5);
- 3.6. Vri dekslet slik at det kommer i vertikal posisjon (6);
- 3.7. Sett på plass igjen skruen som fester dekselet til apparatet (7).

## ►► 4. DRIFT

Denne avfukteren er et apparat med kjølekrets og driften baserer seg på det fysiske prinsippet som sier at når luft kommer i kontakt med en kald overflate vil den avgi fuktighet i form av kondensdråper eller is hvis omgivelsestemperaturen er lav.

I praksis sørger et kjøleapparat for konstant avkjøling av et ribberør, og luften som kjøles og avfuktes går gjennom dette. Luften passerer deretter gjennom en varm varmeveksler hvor den varmes opp og slippes ut i rommet. Luften er da avfuktet og litt varmere enn tidligere.

Se tegning (Fig. 3):

Luften suges inn på fremsiden av avfukteren: den går gjennom filteret (1), viften (2), kuldeveksleren (fordamper) (3), varmeveksler (kondensator) (4) og til slutt sendes avfuktet luft ut i rommet gjennom gitteret på baksiden. Kondensvannet samles i beholderen (5). En mikrobryter (6) stopper apparatet når vannet i tanken når et bestemt nivå. Fuktighetsregulatoren (7) gjør at avfukteren fungerer når fuktigheten i rommet er høyere enn ønsket nivå. Et elektronisk kort (8) styrer avrimingen og forsinker oppstarten av kompressoren (9) for å unngå gjentatte oppstarter som er skadelig.

Disse avfukterne er utstyrt med en anordning for avrining som fungerer med varm gass og har en magnetventil for forbikobling av varmgassen, et spesielt elektronisk kort og en avrimingstermostat.

Avrimingssystemet er eksklusivt for våre produkter: det er et system med en termostat og en elektronisk kontroll som bruker forbikoblingen av varmgassen kun i den tiden som er helt nødvendig. Resultatet er lenger levetid for avfukteren og redusert bruk av varmgassen.

## ►► 5. KONTROLLPANEL

Kontrollpanelet (Fig. 4) er plassert bak på avfukteren og består av:

- 5.1. FUKTIGHETSREGULATOR (1): Fuktighetsregulatoren har en reguleringskala fra 1 til 5. Når den er innstilt på min. verdi (1), fungerer avfukteren helt til det er 80% relativ fuktighet i rommet. Når fuktighetsregulatoren er innstilt på maks. verdi (5), fungerer avfukteren helt til det er 20% relativ fuktighet i rommet. I stillingen "CONT" fungerer avfukteren uavbrutt, uavhengig av verdien for den relative fuktigheten. I stillingen "OFF" starter ikke avfukteren (enpolet bryter) (Fig. 4).
- 5.2. TIMETELLER (2): Timetelleren viser avfukterens antall driftstimer.

- ▶ 5.3.VELGER FOR VENTILASJONSHASTIGHET (3): Med ventilasjonshastighetsvelgeren kan avfukteren virke med maksimal luftstrøm eller med middels luftstrøm, avhengig av behov.
- ▶ 5.4.VARSELLYS (4): Varsellyset lyser i tilfelle beholderen er full, hvis det direkte uttaket er tilstoppet eller i tilfelle avfukter med pumpe (tilleggsutstyr) og det oppstår en feilfunksjon i tømme-systemet. Når varsellyset lyser virker ikke avfukteren. Gjenoppsett apparatet for å la det starte på nytt.
- ▶ 5.5.KONTAKT FOR EKSTERN FUKTIGHETS (5): Ved å koble en ekstern fuktighetsregulator til kontakten, kan fuktigheten som ønskes i rommet styres og kontrolleres på avstand.
- ▶ 5.6.BRYTER FOR SPENNINGSENDRING (6) (hvis den finnes): På modeller med dobbel spenning (... DV) kan driftsspenningen justeres for å tilpasses spenningen til strømmettet.

## ▶ ▶ 6. PÅSLÅING

**VIKTIG: På modeller med dobbel spenning (...DV), kontrollere:**

▶ 1-POSISJONEN TIL BRYTER FOR SPENNINGSENDRING (220-240V / 110-120V) (Fig. 5); Hvis innstilt spenning ikke tilsvarer nettspenningen, må spenningen tilpasses. Skru løs de to festeskruene til lokket (Fig. 6) flytt/trykk bryteren til gitt spenningsverdi (Fig. 7) og sett på igjen lokket (Fig. 8).

▶ 2-SJEKK TYPE KONTAKT; Hvis kontaktypen ikke tilsvarer strømforsyningen må du bruke en egnet adapter.

**HVIS SPENNINGSBRYTEREN, TYPE KONTAKT OG STRØMFORSYNINGEN ER I OVERENSSTEMMELSE, KAN DU FORTSETTESSEKVENSEN FOR PÅSLÅING.**

**For at avfukteren kan settes i drift, må den ha stått i vertikal posisjon (posisjon for normal drift) i minst åtte timer. Overholder du ikke denne regelen kan det forårsake uopprettelig skade på avfukteren.**

- ▶ 6.1.Følg alle sikkerhetsinstruksjer;
  - ▶ 6.2.Koble støpselet til strømmettet (Fig. 9) (SE SPENNING I "TABELL FOR TEKNISKE DATA");
  - ▶ 6.3.Vri fuktighetsregulatoren (1 Fig. 4) til ønsket verdi relativ fuktighet. Avfukteren vil starte automatisk.
- Takket være velgeren "VENTILASJONSHASTIGHET" (3 Fig. 4) kan avfukteren brukes med maksimal luftstrøm eller med en middels luftstrøm etter hva som er nødvendig og for å oppnå maksimal komfort i rommet.

## ▶ ▶ 7. SLÅ AV

For å slå av avfukteren, gjør følgende:

- ▶ 7.1.Vri fuktighetsregulatoren (1 Fig. 4) mot "OFF";
- ▶ 7.2.Koble støpselet fra strømmettet når avfukteren er av (Fig. 10).

## ▶ ▶ 8. TILKOBLING AV EKSTERN FUKTIGHETSREGULATOR

For modeller med ekstern fuktighetsregulator (5 Fig. 4), fjern pluggen som er festet til avfukteren og koble til den eksterne fuktighetsregulatoren (tilleggsutstyr) (Fig. 11). For en korrekt drift av avfukteren, vri knotten til fuktighetsregulatoren på kontrollpanelet (1 Fig. 4) mot "CONT" og still inn til ønsket fuktighet på den eksterne fuktighetsregulatoren.

## ▶ ▶ 9. HVIS AVFUKTEREN IKKE STARTER ELLER IKKE AVFUKTER

Hvis "VARSELLYS" (4 Fig. 4) lyser, betyr dette at vannbeholderen er full og/eller det er en feilfunksjon med pumpen (tilleggsutstyr). Tøm beholderen og/eller gjenoppsett pumpen. Dersom problemet fortsetter, ta kontakt med et autorisert servicesenter.

## ▶ ▶ 10. KOBLING TIL ET UTLØPSRØR

Med denne avfukteren er det mulig å koble apparatet direkte til et fast utløp.

▶ 10.1.STANDARD AVFUKTER MED BEHOLDER: Beholderen har en forbindelse hvor det kan kobles til et rør med intern diameter på 16mm. Før tilkobling av røret, fjern skruen/pluggen (hvis denne finnes) (Fig. 12) og kontroller at tilkoblingen er ren. Dette for å hindre eventuelle tilstoppinger.

▶ 10.2.AVFUKTER MED PUMPE (EKSTRAUTSTYR): Det kan installeres en pumpe (tilleggsutstyr) som tømmer vannet til avfukteren (Fig. 13). Tilkobling er enkel og ukomplisert, takket være den spesielle elektriske konnektoren og den hydrauliske tilpassingen som er på baksiden og hvor det kan tilkobles et rør med intern diameter på 16mm. Før du kobler til røret fjern skruen/pluggen (hvis den finnes) (Fig. 14) og kontroller at tilkoblingen er ren. Dette for å hindre eventuelle tilstoppinger. ALLE INSTRUKSJONER OG DETALJER FOR INSTALLASJON LEVERES SAMMEN MED PUMPESETTET.

## ▶ ▶ 11. REGELMESSIG RENGJØRING

Eneste rengjøring som må utføres regelmessig er rengjøring av filteret (Fig. 15). Rengjøring utføres ved å ta ut filteret fra fremsiden av avfukteren (Fig. 16) og holde det under vannstrålen i en vanlig vask. Rengjøring må utføres gjennomsnittlig hver måned; i tilfelle bruk i omgivelser hvor det er mye støv må dette utføres oftere. Avhengig av bruk, kan det bli nødvendig å rengjøre ribberørene ved bruk av en vannstråle ved lavt trykk. Før rengjøring er det absolutt påbudt å trekke støpselet ut fra strømmettet (Fig 10). For en korrekt rengjøring følg denne prosedyren (Fig. 17-18):

- ▶ 11.1.Fjern skruen som fester dekslet til strukturen (1);
- ▶ 11.2.Vri dekslet (2);
- ▶ 11.3.Fjern de to skruene og ta beskyttelsen av ribberøret (3). (Vask ribberøret med vann ved lavt trykk, vær forsiktig slik at ikke strømpanelet blir vått. VANNET MÅ KUN RENNE OVENIFRA OG NED);
- ▶ 11.4.Sett på plass igjen beskyttelsen og de to skruene (4);
- ▶ 11.5. Vri dekslet slik at det går tilbake til vertikal posisjon (5);
- ▶ 11.6. Sett på plass igjen skruen som fester dekslet til apparatet (6).

Før du setter avfukteren på igjen må du forsikre deg om at ingen av de elektriske delene er våte og/eller fuktige. Under vanlige forhold må du vente i minst åtte timer. Denne rengjøringen forbedrer ytelsen til avfukteren og garanterer en lang levetid.

**APPARATEN ÄR FÖRSEGLAD OCH INNEHÅLLER FLUORERADE VÄXTHUSGASER SOM OMFATTAS AV KYOTOPROTOKOLLET. "GWP" VISAS I "TABELL ÖVER TEKNISKA DATA".**

**VIKTIGT: KOPPLA ALLTID BORT NÄTKONTAKTEN FÖR ATT BRYTA STRÖMFÖRSÖRJNINGEN FÖRE UNDERHÅLL, RENGÖRING, REPARATION ELLER ANNAT. INNAN DU ÅTERSTARTAR AVFUKTAREN SKA DU SÄKERSTÄLLA ATT DE ELEKTRISKA DELARNA INTE ÄR BLÖTA OCH/ELLER FUKTIGA.**

## ►► 1. SÄKERHETSANVISNINGAR

Avfuktaren måste alltid vara ansluten till eluttag som är utrustade med jordanslutning. Underlåtenhet att följa denna regel, som med alla elektriska apparater, orsakar risker för vars följder tillverkaren inte tar på sig något ansvar.

Demonteringen av apparaten måste utföras av en kvalificerad tekniker.

När apparaten är ansluten till ett eluttag måste den hållas i upprätt ställning och får inte flyttas häftigt. Vattenläckage från behållaren kan komma i kontakt med elektriska delar med uppenbara farliga konsekvenser. Det är därför viktigt att koppla bort nätsladden innan du flyttar på avfuktaren samt att tömma behållaren innan du lyfter den.

Om du upptäcker ett vattenspill efter plötsliga rörelser måste avfuktaren stå stilla i upprätt läge i minst åtta timmar innan den åter tas i drift.

Denna avfuktare suger in luft i den främre delen och driver ut den genom det bakre gallret. Därför måste den främre panelen, på vilken luftfiltret sitter, bibehålla ett avstånd på minst femton centimeter från väggarna.

Apparaten bör inte heller användas i trånga utrymmen som inte medger spridning i rummet av den luft som kommer ut från det bakre gallret. Det är däremot möjligt att närma sidopanelerna mot väggarna utan att skapa svårigheter för funktionen.

Denna avfuktare tillverkas enligt de strängaste säkerhetsstandarderna. Du bör dock inte föra in vassa föremål (skruvmejslar, stickor eller liknande) i gallret eller i den öppning i den främre panelen som förblir otäckt när man drar ut filtret: detta är farligt för människor och kan skada apparaten.

För att rengöra utsidan kan man använda en fuktig trasa efter att ha kopplat bort nätkontakten från strömförsörjningen. Täck inte det främre gallret med trasor eller andra föremål. Apparaten skadas och kan skapa fara.

Rengör regelbundet filtret: rengöringen måste utföras i genomsnitt varje månad. Vid användning i mycket dammiga miljöer måste rengöring ske oftare. För metoderna för rengöring se motsvarande kapitel. När filtret är smutsigt kommer luften ut varmare än normalt, vilket orsakar skador på apparaten och minskar avkastningen.

## ►► 2. BESKRIVNING AV AVFUKTAREN

Alla bärbara avfuktare använder kylcykel med kompressor. Apparaterna beskrivs nedan.

## ►► 3. MONTERING AV AVFUKTAREN

Denna modell är försedd med handtag. Denna komponent är innesluten i avfuktarens förpackning. För att installera handtaget följ följande förfarande (Fig. 1-2):

- 3.1. Ta bort skruven som håller fast höljet till strukturen (1);
- 3.2. Vrid höljet (2);
- 3.3. Ta bort de fyra skruvarna som är placerade på strukturens sidor, två på vänster sida och två på höger sida (3);
- 3.4. Placera handtaget i korrekt läge (4);
- 3.5. Sätt tillbaks de fyra skruvarna som är placerade på strukturens sidor, två på vänster sida och två på höger sida (5);
- 3.6. Vrid höljet för att föra tillbaks det i upprätt läge (6);
- 3.7. Sätt tillbaks skruven som håller fast höljet till strukturen (7).

## ►► 4. DRIFT

Denna avfuktare är en apparat med kylcykel vars drift bygger på den fysikaliska principen att när luften kommer i kontakt med en kall yta så blöter den denna i form av droppar av kondens, eller av is om rumstemperaturen inte är hög.

I praktiken håller en kylmaskin ett lamellbatteri kallt. Genom detta batteri passerar luften som kyls ned och avfuktas. När sedan luften passerar genom en varm värmeväxlare värms luften upp, för att sedan återkomma till rummet avfuktad och med en något högre temperatur än den ursprungliga.

Med hänvisning till ritningen (Fig. 3):

Luften sugas in från framsidan på avfuktaren: den passerar genom filtret (1), fläkten (2), den kalla värmeväxlaren (förångaren) (3), den varma värmeväxlaren (kondensatorn) (4) och slutligen kommer den avfuktade luften ut och återgår till rummet genom att passera genom det bakre gallret. Det kondenserade vattnet samlas upp i behållaren (5). En mikrobrytare (6) stoppar apparaten när vattnet i behållaren når en viss nivå. Luftfuktighetsaggregatet (7) möjliggör drift av avfuktaren när fuktigheten i rummet är högre än den önskade nivån. Ett elektroniskt kort (8) hanterar avfrostningen och förhindrar skadliga, nära starter av kompressorn (9) genom att fördröja dess start.

Dessa avfuktare är försedda med en anordning för varmgasavfrostning. Därför är de utrustade med en magnetventil för förbikoppling av den varma gasen, ett särskilt elektroniskt kort samt en avfrostningstermostat.

Avfrostningssystemets funktion är exklusiv för våra produkter: i praktiken använder ett system med en termostat och en elektronisk styrordning den varma gasens förbikoppling endast under den tid som är absolut nödvändig. Detta förlänger avfuktarens livslängd och minskar driftsfasen med varm gas.

## ►► 5. KONTROLLPANEL

Kontrollpanelen (Fig. 4) är placerad på avfuktarens baksida och omfattar:

- 5.1. LUFTFUKTIGHETSAGGREGAT (1):  
Luftfuktighetsaggregatet ger en gradering med en skala som sträcker sig från 1 till 5. Inställningen av luftfuktighetsaggregatet på det lägsta värdet (1) innebär att låta avfuktaren arbeta tills den uppnår 80% relativ fuktighet i rummet. Inställningen av luftfuktighetsaggregatet på det högsta värdet (5) innebär att låta avfuktaren arbeta tills den uppnår 20% relativ fuktighet i rummet. I "CONT"-läget fungerar avfuktaren alltid oberoende av värdet på den relativa fuktigheten. I "OFF"-läget startar avfuktaren aldrig (enpolig brytare).
- 5.2. TIMRÄKNARE (2): Timräknaren visar avfuktarens antal drifttimmar.



- ▶ 5.3. VÄLJARE AV FLÄKTHASTIGHET (3): Väljaren av fläkthastigheten gör det möjligt att låta avfuktaren arbeta vid maximalt luftflöde eller vid ett mellanliggande luftflöde beroende på behovet.
- ▶ 5.4. LARMINDIKATOR (4): Larmindikatorn tänds, när det gäller standardfallet med avfuktare med behållare, när behållaren är full eller det direkta utloppet är tilltäppt. När det gäller fallet med avfuktare med pump (tillval) om det finns ett fel i utloppssystemet. När indikatorn tänds fungerar inte avfuktaren. Återställ apparaten för att starta om den.
- ▶ 5.5. UTTAGFÖRFJÄRRLUFTFUKTIGHETSAGGREGAT (5): Genom att ansluta ett fjärrluftfuktighetsaggregat till uttaget kan du hantera och fjärrstyra den relativa fuktighet som du vill uppnå i rummet.
- ▶ 5.6. BRYTARE FÖR BYTE AV SPÄNNING (6) (där sådan finns): Hos modellerna med dubbel spänning (...DV) är det möjligt att ställa in avfuktarens driftspänning, för att anpassa sig till den spänning som tillhandahålls av nätet.

## ▶▶ 6. TÄNDNING

**VIKTIGT: Hos modellerna med dubbel spänning (... DV) ska du kontrollera:**

▶ **1-LÄGET PÅ BRYTAREN FÖR BYTE AV SPÄNNING (220-240V / 110-120V) (Fig. 5);** Om den inställda spänningen inte motsvarar den som tillhandahålls av nätet är det nödvändigt att ingripa för att justera spänningen. Skruva loss lockets två fästskruvar (Fig. 6), flytta/tryck på brytaren på värdet på den tillhandahållna spänningen (Fig. 7) och återmontera locket (Fig. 8).

▶ **2-KONTROLLERA TYPEN AV UTTAG;** Om typen av uttag inte motsvarar strömförsörjningens egenskaper måste du anpassa dig med hjälp av den specifika adaptorn.

**OM LÄGET PÅ BRYTAREN FÖR BYTE AV SPÄNNING, TYPEN AV UTTAG OCH ELFÖRSÖRJNINGEN STÄMMER ÖVERENS KAN DU GÅ VIDARE MED TÄNDNINGSEKVENSEN.**

**För att kunna tas i drift måste avfuktaren ha varit i upprätt läge (läget vid normal användning) i minst åtta timmar. Underlåtenhet att göra detta kan orsaka irreparabla skador på avfuktaren.**

- ▶ 6.1. Följ alla säkerhetsanvisningar;
- ▶ 6.2. Anslut nätkontakten till strömförsörjningen (Fig. 9) (SE SPÄNNING I "TABELL ÖVER TEKNISKA DATA");
- ▶ 6.3. Vrid luftfuktighetsaggregatet (1 Fig. 4) till önskat värde på relativ fuktighet. Avfuktaren startar automatiskt. Tack vare väljaren av "FLÄKTHASTIGHET" (3 Fig. 4), kan du låta avfuktaren arbeta vid maximalt luftflöde eller vid ett mellanliggande luftflöde beroende på behovet, för att uppnå maximal komfort i rummet.

## ▶▶ 7. AVSTÄNGNING

För att stänga av avfuktaren ska du:

- ▶ 7.1. Vrida på luftfuktighetsaggregatet (1 Fig. 4) mot "OFF";
- ▶ 7.2. Koppla bort nätkontakten från strömförsörjningen med avstängd avfuktare (Fig. 10).

## ▶▶ 8. ANSLUTNING AV FJÄRRLUFTFUKTIGHETSAGGREGAT

För modeller med predisposition för fjärrluftfuktighetsaggregat (5 Fig. 4). Ta bort locket som är anslutet till avfuktaren och anslut fjärrluftfuktighetsaggregatet (tillval) (Fig. 11). För en korrekt drift av avfuktaren ska du vrida luftfuktighetsaggregatets ratt, som är placerad på kontrollpanelen, helt (1 Fig. 4) mot "CONT" och ställa in önskad fuktighet på fjärrluftfuktighetsaggregatet.

## ▶▶ 9. OM AVFUKTAREN INTE STARTAR ELLER INTE AVFUKTAR

Om "LARMINDIKATORN" (4 Fig. 4) betyder det att behållaren för vattenåtervinning är full och/eller att det är fel på pumpen (tillval). Det räcker att tömma behållaren och/eller återställa pumpen. Om problemet kvarstår ska du kontakta auktoriserad teknisk service.

## ▶▶ 10. ANSLUTNING TILL ETT UTLOPPSRÖR

Denna avfuktare ger möjlighet till anslutning av apparaten direkt till ett fast utloppsrör.

▶ 10.1.1 STANDARDFALLET MED AVFUKTARE MED BEHÅLLARE: Behållaren har en röranslutning till vilken du kan ansluta ett rör med en inre diameter på 16mm. Innan du ansluter röret ska du ta bort skruven/locket (där sådant finns) (Fig. 12) och kontrollera röranslutningens renhet för att undvika eventuella tilltäppningar.

▶ 10.2. I FALLET MED AVFUKTARE MED PUMP (TILLVAL): Det är möjligt att installera en pump (tillval) till avfuktaren för utsläpp av vatten (Fig. 13). Anslutningen är enkel och direkt, tack vare den elektriska (specifik kontakt) och hydrauliska (anslutningsrör placerat på baksidan till vilket det är möjligt att ansluta ett rör med en inre diameter på 16mm) predispositionen. Innan du ansluter röret ska du ta bort skruven/locket (där sådant finns) (Fig. 14) och kontrollera röranslutningens renhet för att undvika eventuella tilltäppningar. ALLA INSTRUKTIONER OCH DETALJER FÖR INSTALLATIONEN LEVERERAS I PUMPSETET.

## ▶▶ 11. REGELBUNDET UNDERHÅLL

Det enda underhållet som ska utföras regelbundet är rengöringen av filtret (Fig. 15). Rengöringen ska ske genom att du tar bort filtret från avfuktarens framsida (Fig. 16) och placerar det under vattenstrålen i ett normalt handfat. Måste utföras i genomsnitt varje månad. Vid användning i mycket dammiga miljöer måste rengöring ske oftare.

Beroende på användningen kan det vara nödvändigt att rengöra lamellbatteriet, med hjälp av vatten med lågt tryck. Innan du utför tvätten är det absolut nödvändigt att koppla bort nätkontakten från strömförsörjningen (Fig. 10). För att utföra en korrekt tvätt ska du följa följande förfarande (Fig. 17-18):

- ▶ 11.1. Ta bort skruven som håller fast höljet till strukturen (1);
- ▶ 11.2. Vrid höljet (2);
- ▶ 11.3. Ta bort de två skruvarna och ta bort skyddet från lamellbatteriet (3). (Tvätta lamellbatteriet med vatten med lågt tryck och se till att du inte väter den elektriska panelen. VATTENFLÖDET BÖR ENDAST GÅ UPPIFRÅN OCH NED);
- ▶ 11.4. Sätt tillbaks skyddet och sätt tillbaks de två skruvarna (4);
- ▶ 11.5. Vrid höljet för att föra tillbaks det i upprätt läge (5);
- ▶ 11.6. Sätt tillbaks skruven som håller fast höljet till strukturen (6).

Innan du startar avfuktaren ska du säkerställa att de elektriska delarna inte är blöta och/eller fuktiga. Under normala förhållanden måste det gå minst åtta timmar. Denna rengöring förbättrar avfuktarens prestanda och säkerställer lång livslängd.

**URZĄDZENIE JEST SZCZELNIE ZAMKNIĘTE I ZAWIERA FLUOROWANE GAZY CIEPLARNIANE PODLEGAJĄCE KONTROLI NA PODSTAWIE PROTOKOŁU Z KIOTO. WSKAŹNIK „GWP” PRZEDSTAWIONY JEST W „TABELI DANYCH TECHNICZNYCH”.**

**WAŻNE: PRZED ROZPOCZĘCIEM WSZELKICH CZYNNOŚCI ZWIĄZANYCH Z KONSERWACJĄ, OCZYSZCZENIEM LUB NAPRAWĄ NALEŻY ZAWSZE WYJMOWAĆ WTYCZKĘ ZASILANIA. PRZED PONOWNYM WŁĄCZENIEM OSUSZACZA, NALEŻY UPEWNIĆ SIĘ, ŻE CZĘŚCI ELEKTRYCZNE NIE SĄ MOKRE I/LUB ZAWILGOCONE.**

## ►►1. OSTRZEŻENIA DOTYCZĄCE BEZPIECZEŃSTWA

Osuszacz może być podłączany wyłącznie do gniazdek wyposażonych w uziemienie. Niezastosowanie się do tego wymogu, jak w przypadku wszystkich urządzeń elektrycznych, może powodować niebezpieczeństwo, za którego skutki producent nie ponosi żadnej odpowiedzialności.

Demontaż urządzenia może być wykonywany wyłącznie przez wykwalifikowanego technika.

Urządzenie podłączone do gniazdka elektrycznego powinno być ustawione w pozycji pionowej i nie może być gwałtownie przemieszczane. Woda, która wycieka ze zbiornika może wejść w kontakt z częściami elektrycznymi, powodując oczywiste zagrożenia. Z tego względu przed przemieszczaniem i podnoszeniem osuszacza należy koniecznie odłączyć przewód zasilający i opróżnić zbiornik.

Jeżeli, w wyniku gwałtownych ruchów, dojdzie do wycieku wody, należy pozostawić osuszacz nieruchomo w pozycji pionowej i odczekać co najmniej osiem godzin przed ponownym włączeniem. Ten osuszacz zasysa powietrze od przodu i wypycha je przez tylną kratkę; w związku z tym panel przedni, w którym zamontowany jest filtr powietrza musi znajdować się w odległości co najmniej piętnastu centymetrów od ściany.

Urządzenia nie należy używać w ciasnych pomieszczeniach, które nie pozwalają na swobodne rozchodzenie się powietrza wypychanego przez tylną kratkę. Przyniesienie ścianek bocznych osuszacza do ścian pomieszczenia nie stanowi natomiast żadnego utrudnienia w sprawnym funkcjonowaniu urządzenia. Osuszacz został wyprodukowany zgodnie z najbardziej surowymi normami bezpieczeństwa. Nie należy jednak wkładać żadnych ostrych przedmiotów (śrubokrętów, szydełek i tym podobnych) do kratki lub otworu na przednim panelu, który pozostaje odkryty po wyjęciu filtra: stanowi to bowiem niebezpieczeństwo dla ludzi i może spowodować uszkodzenie urządzenia.

Aby wyczyścić obudowę, należy wyjąć wtyczkę z gniazdka, a następnie przetrzeć z zewnątrz wilgotną szmatką. Nie należy zasłaniać kratki tkaninami lub innymi przedmiotami, mogło by to bowiem spowodować uszkodzenie urządzenia i doprowadzić do powstania zagrożenia.

Okresowo czyścić filtr: czyszczenie należy przeprowadzać średnio co miesiąc; w przypadku użytkowania w pomieszczeniach bardzo zapyłonych, czyszczenie należy wykonywać z większą częstotliwością. Metody czyszczenia przedstawione są w osobnym rozdziale. Gdy filtr powietrza jest brudny, powietrze wychodzące z osuszacza jest cieplejsze niż zwykle, powodując uszkodzenie urządzenia i zmniejszenie jego wydajności.

## ►►2. OPIS OSUSZACZA

Wszystkie przenośne osuszacze pracują za zasadzie cyklu chłodzenia ze sprężarką. Opis urządzenia znajduje się poniżej.

## ►►3. MONTAŻ OSUSZACZA

Niniejszy model wyposażony jest w uchwyt, który znajduje się wewnątrz opakowania osuszacza. Aby zainstalować uchwyt, należy wykonać następujące czynności (Rys. 1-2):

- 3.1. Wyjąć śrubę mocującą pokrywę do konstrukcji (1);
- 3.2. Obrócić pokrywę (2);
- 3.3. Wyjąć cztery śruby umieszczone na bokach struktury, dwie po lewej stronie i dwie po prawej (3);
- 3.4. Umieścić uchwyt w odpowiedniej pozycji (4);
- 3.5. Ponownie wkręcić cztery śruby na bokach struktury, dwie po lewej stronie i dwie po prawej (5);
- 3.6. Obrócić pokrywę i ustawić ponownie do pozycji pionowej (6);
- 3.7. Ponownie wkręcić śrubę mocującą pokrywę do konstrukcji (7).

## ►►4. DZIAŁANIE

Osuszacz jest urządzeniem z cyklem chłodniczym, a jego działanie opiera się na zasadzie fizycznej, zgodnie z którą powietrze wchodzące w kontakt z zimną powierzchnią, zrasza się w formie kropli lub szronu, o ile temperatura otoczenia nie jest zbyt wysoka.

W praktyce urządzenie chłodzące utrzymuje niską temperaturę systemu lameli, przez które przepuszczane jest powietrze; przechodząc przez nie, powietrze ochładza się i osusza. Następnie powietrze przechodzi przez gorący wymiennik ciepła, gdzie się nagrzewa; w ten sposób powietrze, które wraca do obiegu jest pozbawione wilgoci i ma temperaturę nieznacznie większą od początkowej.

Patrz rysunek (Rys. 3):

Powietrze zasysane jest od przodu osuszacza: przechodzi przez filtr (1), wentylator (2), obieg chłodniczy (parownik) (3), wymiennik ciepła (kondensator) (4), a w końcu osuszone powietrze wraca do pomieszczenia przez tylną kratkę. Skroplona woda gromadzona jest w zbiorniku (5). Gdy woda w zbiorniku osiągnie określony poziom, mikroprzełącznik (6) wyłącza urządzenie. Wilgotnościomierz (higrometr) (7) umożliwia uruchomienie osuszacza, jeżeli wilgotność powietrza w pomieszczeniu jest wyższa od wymaganego poziomu. Urządzenie wyposażone jest ponadto w kartę elektroniczną (8), która zarządza cyklem odszraniania i zapobiega wznawianiu pracy sprężarki na zbyt krótkie cykle (9), które są dla niej szkodliwe i opóźnia w odpowiedni sposób jej uruchomienie.

Osuszacz wyposażony jest w urządzenie odszraniające na gorący gaz, w związku z tym, posiada zawór elektromagnetyczny do by-passowania gorącego gazu, specjalną kartę elektroniczną oraz termostat odszraniania. Nasze urządzenia wyposażone są w unikalny system odszraniania: specjalny system wyposażony w termostat oraz sterownik elektroniczny wykorzystuje by-pass z gorącym gazem na czas niezbędny do przeprowadzenia odszranienia. Dzięki skróceniu czasu zastosowania gorącego gazu, wydłuża się żywotność osuszacza.

## ►►5. PANEL STEROWANIA

Panel sterowania (Rys. 4) znajduje się w tylnej części osuszacza i składa się z następujących elementów:

- 5.1. HIGROSTAT (1): Na higroście zaznaczona jest skala od 1 do 5. Ustawienie higrostatu na wartość minimalną (1) oznacza, że osuszacz będzie pracował do chwili, gdy wilgotność względna w otoczeniu uzyska poziom 80%. Ustawienie higrostatu na wartość maksymalną (5) powoduje, że osuszacz będzie pracował do chwili, gdy wilgotność względna w otoczeniu uzyska poziom 20%. Ustawienie w pozycji „CONT” powoduje, że osuszacz będzie pracował bez przerwy, niezależnie od wartości wilgotności względnej powietrza. Osuszacz ustawiony w pozycji „OFF” nie włącza się samoczynnie (przełącznik jednobiegunowy).



- ▶ 5.2. LICZNIK GODZIN (2): Licznik wskazuje liczbę godzin pracy osuszacza.
- ▶ 5.3. PRZEŁĄCZNIK PRĘDKOŚCI WENTYLATORA (3): Przełącznik wyboru prędkości wentylatora pozwala ustawić osuszacz na pracę przy maksymalnym lub średnim przepływie powietrza, w zależności od potrzeb.
- ▶ 5.4. LAMPKA ALARMU (4): Lampka alarmu zapala się gdy, w przypadku osuszacza standardowego, zbiornik na skropliny jest pełny lub gdy odpływ jest zatkany, a w przypadku osuszacza z pompą (opcja), gdy wystąpiła usterka w systemie odpływowym. Przy zapalanej lampce alarmowej osuszacz nie działa; aby ponownie uruchomić urządzenie należy je zresetować.
- ▶ 5.5. GNIAZDKO ZDALNIE STEROWANEGO HIGROSTATU (5): Po podłączeniu do gniazdka zdalnie sterowanego higrostatu można zdalnie sterować wilgotnością względną powietrza, jakie pragnie się utrzymywać w pomieszczeniu.
- ▶ 5.6. PRZEŁĄCZNIK ZMIANY NAPIĘCIA (6) (jeżeli obecny): W modelach z możliwością zastosowania dwóch typów napięcia (...DV), można ustawić napięcie pracy osuszacza, aby dostosować się do napięcia zasilania obecnego w sieci.

## ▶▶ 6. WŁĄCZANIE

**WAŻNE:** W modelach z podwójnym napięciem (...DV), należy sprawdzić elementy przedstawione poniżej.

▶ 1-POZYCJA PRZEŁĄCZNIKA ZMIANY NAPIĘCIA (220-240V / 110-120V) (Rys. 5); Jeśli ustawione napięcie nie zgadza się z napięciem w gniazdku, należy wykonać odpowiednie działania, aby ustawić napięcie. Odkręcić odpowiednie śruby mocujące pokrywę (Rys. 6), przesunąć/nacisnąć przełącznik na napięcie obecne w gniazdku (Rys. 7), ponownie założyć pokrywę (Rys. 8).

▶ 2-SPRAWDZIĆ RODZAJ GNIAZDKA; Jeśli typ gniazdka nie odpowiada rodzajowi zasilania w gniazdku, należy zastosować odpowiedni adapter.

**JEŚLI USTAWIENIE PRZEŁĄCZNIKA ZMIANIAJĄCEGO NAPIĘCIE, RODZAJ GNIAZDKA ORAZ NAPIĘCIE W GNIAZDKU SĄ ODPOWIEDNIE, MOŻNA ROZPOCZĄĆ SEKWENCJĘ URUCHAMIANIA OSUSZACZA.**

Przed uruchomieniem należy ustawić osuszacz nieruchomo w pozycji pionowej (pozycja z normalnego użytkownika), i odczekać co najmniej osiem godzin. Niezastosowanie się do tego zalecenia może spowodować nieodwracalne uszkodzenie osuszacza.

- ▶ 6.1. Należy przestrzegać wszystkich instrukcji bezpieczeństwa;
  - ▶ 6.2. Włożyć wtyczkę do gniazdka elektrycznego (Rys. 9) (NAPIĘCIE PODANE JEST W „TABELI DANYCH TECHNICZNYCH”);
  - ▶ 6.3. Obrócić pokrętkę higrostatu (1 Rys. 4) na żadaną wartość wilgotności względnej powietrza: osuszacz uruchomi się automatycznie.
- Dzięki przełącznikowi „PRĘDKOŚĆ WENTYLATORA” (3 Rys. 4), można ustawić osuszacz do pracy przy maksymalnym albo średnim przepływie powietrza tak, aby uzyskać maksymalny komfort w pomieszczeniu.

## ▶▶ 7. WYŁĄCZANIE

Aby wyłączyć osuszacz, należy wykonać następujące czynności:

- ▶ 7.1. Obrócić pokrętkę higrostatu (1 Rys. 4) do pozycji „OFF”;
- ▶ 7.2. Wyjąć wtyczkę osuszacza z gniazdka (Rys. 10).

## ▶▶ 8. POŁĄCZENIE ZDALNEGO HIGROSTATU

Dla modeli z możliwością podłączenia zdalnego higrostatu (5 Rys. 4), zdjąć zatyczkę na osuszaczu i podłączyć zdalny higrostat (opcjonalnie) (Rys. 11). Aby osuszacz działał poprawnie, należy wykonać pełny obrót higrostatu znajdującego się na panelu sterowania (1 Rys. 4) w stronę pozycji „CONT” i ustawić żadaną wilgotność na zdalnym higrostatcie.

## ▶▶ 9. JEŚLI OSUSZACZ NIE URUCHAMIA SIĘ LUB NIE OSUSZA POWIETRZA

Jeśli zapaliła się „LAMPKA ALARMU” (4 Rys. 4) oznacza to, że zbiornik na skropliny jest pełny i/lub że wystąpiła usterka pompy (opcja); należy po prostu opróżnić zbiornik i/lub zresetować pompę. Jeśli problem będzie się utrzymywał, należy skontaktować się z autoryzowanym serwisem.

## ▶▶ 10. PODŁĄCZANIE DO SIECI ODPIYWOWEJ

Nasz osuszacz może być podłączony bezpośrednio do stałej sieci odpływowej.

▶ 10.1. W PRZYPADKU STANDARDOWEGO OSUSZACZA ZE ZBIORNIKIEM NA SKROPLINY: Zbiornik posiada złącze, do którego można podłączyć rurkę o wewnętrznej średnicy 16mm. Aby uniknąć ewentualnego zatkania przewodu, przed jego podłączeniem, po wyjęciu zatyczki/śruby (jeśli obecna) (Rys. 12) należy sprawdzić, czy złączka jest czysta.

▶ 10.2. W PRZYPADKU OSUSZACZA Z POMPĄ (OPCJA): Można zainstalować pompę (opcjonalnie) do odciągania wody z osuszacza (Rys. 13). Dzięki odpowiednim złączom elektrycznym i hydraulicznym (złączka znajdująca się z tyłu urządzenia, do której można przymocować rurkę o średnicy wewnętrznej 16mm) połączenie wykonuje się łatwo i szybko. Przed podłączeniem przewodu, wyjąć zatyczkę/śrubę (jeśli obecna) (Rys. 14) i sprawdzić, czy złączka jest czysta, aby uniknąć ewentualnego zatkania przewodu. WSZYSTKIE INSTRUKCJE POTRZEBNE DO ZAINSTALOWANIA POMPY DOSTARCZONE SĄ RAZEM Z ZESTAWEM.

## ▶▶ 11. KONSERWACJA OKRESOWA

Jedyną czynnością konserwacyjną, jaką należy okresowo przeprowadzać jest czyszczenie filtra (Rys. 15). Aby wykonać czyszczenie, należy wyjąć filtr znajdujący się w przedniej części osuszacza (Rys. 16) i wypłukać go po prostu nad zlewem wodą z kranu. Czyszczenie filtra należy przeprowadzać średnio co miesiąc; w przypadku użytkowania w pomieszczeniach bardzo zapylnych, czyszczenie należy wykonywać z większą częstotliwością. W zależności od warunków użytkowania, może być konieczne wykonanie czyszczenia systemu lameli; należy je wówczas wypłukać pod kranem, w strumieniu wody o niskim ciśnieniu. Przed przystąpieniem do czyszczenia należy obowiązkowo wyjąć wtyczkę z gniazdka zasilania (Rys. 10). Aby przeprowadzić czyszczenie w sposób poprawny, należy wykonać następujące czynności (Rys. 17-18):

- ▶ 11.1. Wyjąć wkręt mocujący pokrywę do konstrukcji (1);
- ▶ 11.2. Obrócić pokrywę (2);
- ▶ 11.3. Wyjąć obie śruby i zdjąć osłonę systemu lameli (3). Umyć lamele wodą pod niskim ciśnieniem, uważając, aby nie zamoczyć panelu elektrycznego. STRUMIEN WODY POWINIEN BYĆ SKIEROWANY TYLKO OD GÓRY DO DOŁU;
- ▶ 11.4. Ponownie zamontować osłonę i wkręcić obie śruby (4);
- ▶ 11.5. Obrócić pokrywę i ustawić ją ponownie do pozycji pionowej (5);
- ▶ 11.6. Ponownie wkręcić śrubę mocującą pokrywę do konstrukcji (6).

Przed ponownym uruchomieniem osuszacza, należy upewnić się, że części elektryczne nie są mokre lub zawilgocone; w normalnych warunkach należy odczekać co najmniej osiem godzin. Poprawne przeprowadzenie czyszczenia zwiększa wydajność pracy osuszacza i zapewnia właściwą żywotność.

**ПРИБОР ГЕРМЕТИЧНО ЗАКРЫТ И СОДЕРЖИТ ФТОРИРОВАННЫЙ ГАЗ С ПАРНИКОВЫМ ДЕЙСТВИЕМ, КОТОРЫЙ ПОДВЕРГАЕТСЯ ДЕЙСТВИЮ ПРОТОКОЛА КИОТО. “ПГП” ПРИВОДИТСЯ В “ТАБЛИЦЕ ТЕХНИЧЕСКИХ ДАННЫХ”.**

**ВАЖНО: ПЕРЕД ПРОВЕДЕНИЕМ ЛЮБОЙ ОПЕРАЦИИ ПО ТЕХОБСЛУЖИВАНИЮ, ОЧИСТКЕ, РЕМОНТУ И ДРУГИХ ОПЕРАЦИЙ, ВСЕГДА ОТСОЕДИНЯТЬ ТОКОПОДВОДЯЩИЙ КАБЕЛЬ ОТ СЕТИ ЭЛЕКТРОПИТАНИЯ. ПЕРЕД ТЕМ, КАК ЗАПУСТИТЬ В РАБОТУ ОСУШИТЕЛЬ, ПРОВЕРИТЬ, ЧТО ЭЛЕКТРИЧЕСКИЕ КОМПОНЕНТЫ НЕ МОКРЫЕ И НЕ ВЛАЖНЫЕ.**

## ►► 1. ПРЕДУПРЕЖДЕНИЯ ПО ТЕХНИКЕ БЕЗОПАСНОСТИ

Осушитель должен быть всегда подключен к сети электропитания с заземлением. Несоблюдение настоящего правила, как и для всех других электроприборов, является источником опасности, за которую изготовитель не несёт никакой ответственности.

Демонтаж прибор должен выполняться только квалифицированным техником.

Когда прибор подключен к сети электропитания должно поддерживаться вертикальное положение и не должно выполняться резких смещений. При образовании утечки воды из бака, она может попасть на электродетали с явными опасными последствиями. Следовательно, необходимо изъять штырь и сместить осушитель, а также слить бак, перед тем, как его поднять.

Если, в следствии резких перемещений вода расплескалась, осушитель должен оставаться в неподвижном вертикальном положении не менее 8 часов перед тем, как подключить его обратно к работе.

Настоящий осушитель всасывает воздух в передней части и выводит его через заднюю решётку; следовательно, передняя панель, на которой установлен воздушный фильтр, должен находится на расстоянии не менее 15 см. от стены.

Также не допускается работа прибора в тесных помещениях, где не обеспечивается распространение воздуха в среду, выходящего из задней решётки. Боковые же панели могут быть приставлены к стене, что не приводит к затруднениям настройки и работы.

Данный осушитель выполнен с соблюдением самых строгих правил по технике безопасности. Поэтому, нельзя вводить острые предметы (отвёртки, спицы и другие подобные предметы) в решётку или в отверстие, которое остаётся открытым на передней панели при снятие фильтра: это влечёт опасность как для людей, так и для самого прибора.

Для внешней очистки можно использовать влажную ткань, предварительно следует отключить от сети электропитания. Не закрывать переднюю решётку плотном или другими предметами, это может повредить прибору и создать опасность.

Периодически очищать фильтр: очистку необходимо проводить в среднем ежемесячно; при использовании в очень пыльных помещениях очистка должна быть проведена чаще. Способ проведения очистки описывается в соответствующей главе. Когда фильтр загрязнён, выходящий воздух горячее чем обычно, это негативно влияет на состояние прибора и понижает производительность.

## ►► 2. ОПИСАНИЕ ОСУШИТЕЛЯ

Все переносные осушители используют охлаждающий цикл с компрессором. Приборы описаны ниже.

## ►► 3. СБОРКА ОСУШИТЕЛЯ

Настоящая модель оснащена ручкой. Настоящий компонент находится внутри упаковки осушителя. Для установки ручки выполнить следующую процедуру (Рис. 1-2):

- 3.1. Снять винт, который крепит картер к структуре (1);
- 3.2. Повернуть картер (2);
- 3.3. Снять четыре винта, которые находятся на боковых панелях структуры, два на левой боковой панели и два на правой (3);
- 3.4. Установить ручку в правильную позицию (4);
- 3.5. Установить на место четыре винта, которые находятся на боковых панелях структуры, два на левой боковой панели и два на правой (5);
- 3.6. Повернуть картер, чтобы перевести в вертикальную позицию (6);
- 3.7. Снять винт, который крепит картер к структуре (7).

## ►► 4. РАБОТА

Настоящий осушитель это прибор с охладительным циклом принцип работы которого, основан на физическом явлении, по которому воздух, при контакте с холодной поверхностью становится влажным и влажность передаётся в форме капель конденсата или льда, при низкой температуре окружающей среды.

На практике, охлаждающее оборудование поддерживает низкую температуру ребристого аккумулятора, через который проходит воздух, который охлаждается и увлажняется. Затем, проходят через горячий теплообменник, воздух нагревается, чтобы вернуться в окружающую среду в осушенном виде, температура при этом немного выше начальной.

Смотреть схему (Рис. 3):

Воздух всасывается в передней части осушителя: проходит через фильтр (1), вентилятор (2), холодный теплообменник (испаритель) (3), горячий теплообменник (конденсатор) (4) и в заключении, сухой воздух выводится в окружающую среду через заднюю решётку. Жидкий конденсат собирается в баке (5). Микровыключатель (6) останавливает прибор, когда вода в баке достигает определённого уровня. Гигростат (7) обеспечивает работу осушителя, когда влажность в окружающей среде выше требуемого уровня. Электронная плата (8) управляет размораживанием и не допускает частые запуски компрессора (9), так как имеют негативные последствия, и задерживает запуск.

Настоящие осушители оснащены устройством размораживания на горячем газе, следовательно, на них установлены обводные электроклапаны горячего газа и термостат размораживания.

Работа системы размораживания является эксклюзивной для нашей продукции и представляет собой систему с термостатом и электронным управлением, использует байпас горячего газа только на строго необходимое время. Это увеличивает ресурс осушителя, сокращая фазу работы на горячем газе.

## ►► 5. ПАНЕЛЬ УПРАВЛЕНИЯ

Панель управления (Рис. 4) находится в задней части осушителя и включает:

- 5.1. ГИГРОСТАТ (1): Диапазон шкалы гигростата от 1 до 5. Установка гигростата на минимальное значение (1) заставляет работать осушитель до достижения 80% относительной влажности окружающей среды. Установка гигростата на максимальное значение (5) заставляет работать осушитель до достижения 20% относительной влажности окружающей среды. В позиции “CONT” осушитель работает независимо от значения

относительной влажности. В позиции “OFF” осушитель не запускается (однополюсный выключатель).

- ▶ 5.2. СЧЁТЧИК (2): Счётчик указывает на количество часов работы осушителя.
- ▶ 5.3. РЕГУЛЯТОР СКОРОСТИ ВЕНТИЛЯЦИИ (3): Регулятор скорости вентиляции обеспечивает работу осушителя при максимальной подаче воздуха или на промежуточной, по необходимости.
- ▶ 5.4. ИНДИКАТОР СИГНАЛА ТРЕВОГИ (4): Индикатор сигнала тревога включается, чаще всего, когда бак осушителя полный, или когда прямой слив закупорен, или если на осушителе установлен насос (факультативно) обнаружена неполадка в системе слива. Когда включается индикаторная лампочка, осушитель не работает, восстановить рабочие условия для осуществления запуска.
- ▶ 5.5. РАЗЪЁМ УДАЛЁННОГО ГИГРОСТАТА (5): При подключении удалённого гигростата к разъёму можно управлять и контролировать на расстоянии относительной влажностью окружающей среды.
- ▶ 5.6. ВЫКЛЮЧАТЕЛЬ СМЕНЫ НАПРЯЖЕНИЯ (6) (при наличии): На моделях с двойным напряжением (... DV), может быть установлено рабочее напряжение осушителя, чтобы настроится на напряжение сети электропитания.

## ▶▶ 6. ВКЛЮЧЕНИЕ

**ВАЖНО В моделях с двойным напряжением (...DV) проверить:**

▶ 1-ПОЛОЖЕНИЕ ГЛАВНОГО ВЫКЛЮЧАТЕЛЯ СМЕНЫ НАПРЯЖЕНИЯ (220-240В / 110-120В) (Рис. 5); Если установленное напряжение не совпадает с напряжением в сети, необходимо отрегулировать напряжение. Отвинтить два крепежных винта крышки (Рис. 6), перевести/нажать переключатель на значение подаваемого напряжения (Рис. 7) и установить на место крышку (Рис. 8).

▶ 2-ПРОВЕРИТЬ ТИПОЛОГИЮ РАЗЪЁМА; Если типология разъёма не соответствует характеристикам электропитания, необходимо использовать специальный адаптер.

**ЕСЛИ ПОЗИЦИЯ ВЫКЛЮЧАТЕЛЯ СМЕНЫ НАПРЯЖЕНИЯ, ТИПОЛОГИЯ РАЗЪЁМА И ЭЛЕКТРОПИТАНИЯ ПРАВИЛЬНЫЕ, МОЖНО ПРИСТУПИТЬ К ПОСЛЕДОВАТЕЛЬНОСТИ ВКЛЮЧЕНИЯ.**

Для того, чтобы запустить в работу осушитель должен оставаться в вертикальном положении (нормальная рабочая позиция) не менее 8 часов. Несоблюдение настоящего правила может привести к необратимым повреждениям осушителя.

- ▶ 6.1. Следовать всем инструкциям по технике безопасности;
  - ▶ 6.2. Подсоединить штепсель к розетке подачи электроэнергии (Рис. 9) (СМ. НАПРЯЖЕНИЕ В “ТАБЛИЦЕ ТЕХНИЧЕСКИХ ДАННЫХ”);
  - ▶ 6.3. Повернуть гигростат (1 Рис. 4) на требуемое значение относительной влажности, осушитель выполнит автоматический запуск.
- Благодаря регулятору “СКОРОСТЬ ВЕНТИЛЯЦИИ” (3 Рис. 4), осушитель может работать при максимальной и промежуточной производительности воздуха в зависимости от требований до достижения максимального комфорта окружающей среды.

## ▶▶ 7. ВЫКЛЮЧЕНИЕ

Чтобы выключить осушитель необходимо:

- ▶ 7.1. Повернуть гигростат (1 Рис. 4) в сторону “OFF”;
- ▶ 7.2. Отключить от разъёма электропитания сети, когда осушитель выключен (Рис. 10).

## ▶▶ 8. ПОДКЛЮЧИТЬ УДАЛЁННЫЙ ГИГРОСТАТ

Для моделей, на которых возможна установка удалённого гигростата (5 Рис. 4), снять соединительную крышку осушителя и соединить удалённый гигростат (факультативно) (Рис. 11). Для правильной работы осушителя полностью повернуть рукоятку гигростата на панели управления (1 Рис. 4) в сторону “CONT” и установить требуемую влажность удалённого термостата.

## ▶▶ 9. ЕСЛИ УВЛАЖНИТЕЛЬ НЕ ЗАПУСКАЕТСЯ ИЛИ ПРОИЗВОДИТ ОСУШЕНИЕ

Если включается “АВАРИЙНЫЙ ИНДИКАТОР” (4 Рис. 4) означает что бак для рекуперации воды заполнен и/или неполадка насоса (факультативно), достаточно слить бак и/или восстановить работу насоса. Если неполадка не устраняется обратится в уполномоченный центр технической поддержки.

## ▶▶ 10. ПОДКЛЮЧЕНИЕ К СЛИВНОМУ ТРУБОПРОВОДУ

Данный осушитель может быть напрямую подключен к стационарному сливному трубопроводу.

▶ 10.1. В СТАНДАРТНОМ СЛУЧАЕ ОСУШИТЕЛЯ С БАКОМ: В баке имеется переходник к которому можно подключить трубу с внутренним диаметром 16мм. Перед тем, как подключить трубу, снять винт/крышку (при наличии) (Рис. 12) и проверить степень очистки, чтобы предупредить закупорку.

▶ 10.2. ДЛЯ ОСУШИТЕЛЯ С НАСОСОМ (ФАКУЛЬТАТИВНО): Может быть установлен насос (факультативно) для слива воды осушителя (Рис. 13). Подключение выполняется просто и быстро благодаря электрическим подключением (специальный разъём) и гидравлическим (переходник находится в задней части, куда может быть подключена труба с внутренним диаметром 16мм). Перед тем, как подключить трубу, снять винт/крышку (при наличии) (Рис. 14) и проверить степень очистки, чтобы предупредить закупорку. **ВСЕ ИНСТРУКЦИИ И ПОДРОБНАЯ ИНФОРМАЦИЯ ДЛЯ УСТАНОВКИ ПРИВОДИТСЯ В КОМПЛЕКТЕ С НАСОСОМ.**

## ▶▶ 11. ПЕРИОДИЧЕСКОЕ ТЕХОБСЛУЖИВАНИЕ

Единственная проводимая операция техобслуживания это очистка фильтра (Рис. 15). Чтобы выполнить очистку необходимо снять фильтр с передней части осушителя (Рис. 16) и поставить под проточную воду в обыкновенной раковине. Очистку необходимо проводить в среднем ежемесячно; при использовании в очень пыльных помещениях очистка должна быть проведена чаще.

В зависимости от условий эксплуатации может понадобиться очистка ребристого аккумулятора с помощью воды под низким давлением. Перед тем, как выполнить очистку необходимо отсоединить разъём электропитания из сети (Рис. 10). Чтобы правильно выполнить промывку следовать настоящей процедуре (Рис. 17-18):

- ▶ 11.1. Снять винт, который крепит картер к структуре (1);
- ▶ 11.2. Повернуть картер (2);
- ▶ 11.3. Снять два винта и защитную панель ребристого аккумулятора (3). (Промыть ребристый аккумулятор с помощью воды под низким давлением, обратите внимание, чтобы не намочить электрощит. ПОТОК ВОДЫ ДОЛЖЕН БЫТЬ НАПРАВЛЕН ВНИЗ);
- ▶ 11.4. Установить на место защитную панель и два винта (4);
- ▶ 11.5. Повернуть картер, чтобы перевести в вертикальную позицию (5);
- ▶ 11.6. Снять винт, который крепит картер к структуре (6). Перед тем, как запустить в работу осушитель, проверить, что электрические компоненты не мокрые и не влажные, в нормальных условиях должно пройти не менее 8 часов. Данная очистка улучшает производительность осушителя и продлевает срок эксплуатации прибора.



**JEDNOTKA JE UTĚSNĚNA A OBSAHUJE FLUOROVANÉ SKLENÍKOVÉ PLYNY, NA KTERÉ SE VZTAHUJE KJÓTSKÝ PROTOKOL. "GWP" JE UVEDEN V "TABULCE S TECHNICKÝMI ÚDAJI".**

**DŮLEŽITÉ: PŘED KAŽDOU ÚDRŽBOU, ČIŠTĚNÍM, OPRAVOU ATD. VŽDY ODPOJTE NAPÁJECÍ KABEL OD ELEKTRICKÉ SÍTĚ. PŘED OPĚTOVNÝM SPUŠTĚNÍM ODVLHČOVAČE SE UJISTĚTE SE, ŽE ELEKTRICKÉ ČÁSTI NEJSOU MOKRÉ A / NEBO VLHKÉ.**

## ►► 1. BEZPEČNOSTNÍ UPOZORNĚNÍ

Odvlhčovač musí být zapojen do uzemněné elektrické zásuvky. Nedodržení tohoto pravidla, stejně jako u všech elektrických spotřebičů, vede k následkům, za které výrobce nenese žádnou odpovědnost.

Demontáž zařízení musí být provedena výhradně kvalifikovaným technikem.

Když je přístroj připojen do elektrické zásuvky, musí být udržován ve vzpřímené poloze a nesmí být násilně přesunován. Případné úniky vody z nádrže mohou přijít do kontaktu s elektrickými součástmi se zřejmými důsledky nebezpečí. Je proto nezbytné před přesunem odvlhčovače odpojit napájecí kabel a před jeho zvednutím vyprázdnit nádrž.

Pokud dojde k jakémukoliv rozlítí vody v důsledku náhlých pohybů, musí odvlhčovač zůstat v klidu ve vzpřímené poloze po dobu nejméně osmi hodin, než bude znovu uveden do provozu.

Tento odvlhčovač nasává vzduch do přední části a odvádí ho přes zadní mřížku; Proto, přední panel, který obsahuje vzduchový filtr, musí být udržován ve vzdálenosti nejméně patnáct centimetrů od stěn. Zařízení by také nemělo být uváděno do provozu v uzavřených prostorách, které neumožňují šíření ve vzduchu, který vychází ze zadní mřížky, do prostoru. Je nicméně možné přiblížit boční panely ke stěnám, aniž by vznikly potíže s hladkým chodem.

Tento odvlhčovač je vyroben v souladu s nejprísnejšími bezpečnostními normami. Neměli byste však vsunovat ostré předměty (šroubováky, pletací jehlice a podobně) do mřížky nebo otvoru, který zůstává odkryt v předním panelu při demontáži filtru: to je nebezpečné pro zdraví osob, a může vést poškození zařízení.

K čištění vnějších stěn je možné po odpojení napájecí zástrčky ze zásuvky použít vlhký hadřík. Nezakrývejte přední mřížku látkou ani jinými předměty, přístroj se může poškodit a státe se zdrojem nebezpečí.

Pravidelně filtr čistěte: čištění musí být prováděno přibližně každý měsíc; v případě použití ve velmi prašném prostředí by mělo být čištění častější. Postupy při čištění viz příslušná kapitola. Když je filtr znečištěný vycházející vzduch je teplejší, než je obvyklé, což způsobuje poškození zařízení a snížení výkonu.

## ►► 2. POPIS ODVLHČOVAČE

Všechny přenosné odvlhčovače využívají chladicí cyklus s kompresorem. Tyto přístroje jsou popsány níže.

## ►► 3. MONTÁŽ ODVLHČOVAČE

Tento model je vybaven rukojetí. Tento díl je obsažen v balení odvlhčovače. Chcete-li nainstalovat rukojeť, postupujte podle následujících kroků (Obr. 1-2):

- 3.1. Vyjměte šroub upínající kryt ke konstrukci (1);
- 3.2. Otočte kryt (2);
- 3.3. Vyjměte čtyři šrouby umístěné na stranách konstrukce, dva na levé straně a dva na pravé straně (3);
- 3.4. Umístěte rukojeť do správné polohy (4);
- 3.5. Umístěte zpět čtyři šrouby umístěné po stranách konstrukce, dva na levé straně a dva na pravé straně (5);
- 3.6. Otočením kryt uveďte zpět do svislé polohy (6);
- 3.7. Vraťte zpět na místo šroub upínající kryt ke konstrukci (7).

## ►► 4. PROVOZ

Tento odvlhčovač je přístrojem využívajícím chladicí cyklus, jehož provoz je založen na fyzikálním principu, při kterém se vzduch dostane do kontaktu s chladným povrchem, čímž předává vlhkost ve formě kapek kondenzace nebo ledu, pokud okolní teplota není vysoká. V praxi chladič udržuje v chladu lamelovou baterii, přes kterou je veden vzduch, který se ochlazuje a odvlhčuje. Následně prochází horkým výměníkem tepla, kde se vzduch ohřeje, aby se následně vrátil do prostředí vysušen o teplotě o něco vyšší, než je teplota původní.

Odkaz na výkres (Obr. 3):

Vzduch je nasáván z přední části odvlhčovače: prochází filtrem (1), ventilátorem (2), studeným výměníkem (výparníkem) (3), teplým výměníkem (kondenzátorem) (4) a nakonec odvlhčený vzduch vychází ven a vrací se do okolního prostředí průchodem přes zadní mřížku. Kondenzovaná voda se zachytává v nádrži (5). Mikrospínač (6) zastaví přístroj ve chvíli, kdy voda v nádrži dosáhne určité úrovně. Regulátor vlhkosti (7) umožňuje provoz odvlhčovače, kdy je vlhkost v místnosti vyšší než je požadováno. Elektronická karta (8) řídí odtávání a zamezuje škodlivým krátkým cyklům kompresoru (9) odkládáním startu.

Tyto odvlhčovače jsou vybaveny zařízením pro odmrazování horkým plynem, mají proto, elektromagnetický ventil pro obtok horkého plynu, speciální elektronickou kartu a odmrazovací termostat. Provoz systému odmrazování je exkluzivní vlastností našich výrobků: v praxi systém s termostatem a elektronickým řízením využívá obtoku horkého plynu pouze na dobu nezbytně nutnou. To prodlužuje životnost odvlhčovače zkracováním provozní fáze horkého plynu.

## ►► 5. OVLÁDACÍ PANEL

Ovládací panel (Obr. 4) se nachází v zadní části odvlhčovače a zahrnuje následující:

- 5.1. REGULÁTOR VLHKOSTI (1): Regulátor vlhkosti je možné nastavit na stupnici v rozsahu od 1 do 5. Nastavení regulátoru vlhkosti na minimální hodnotu (1) znamená nechat pracovat odvlhčovač do dosažení relativní vlhkosti prostředí 80%. Nastavení regulátoru vlhkosti na maximální hodnotu (5) znamená nechat pracovat odvlhčovač až do dosažení relativní vlhkosti vzduchu v prostředí 20%. V poloze "CONT" bude odvlhčovač vždy pracovat bez ohledu na hodnotu relativní vlhkosti. V poloze "OFF" se odvlhčovač nikdy nespustí (jednoduchý spínač).



- ▶ 5.2.ČÍTAČ HODIN (2): čítač udává počet hodin provozu odvlhčovače.
- ▶ 5.3.VOLIČ RYCHLOSTI VENTILACE (3): Volič rychlosti ventilátoru umožňuje, aby odvlhčovač pracoval při maximálním průtoku vzduchu a středním prouděním vzduchu v závislosti na požadavku.
- ▶ 5.4.KONTROLKA ALARMU (4): Kontrolka alarmu se rozsvítí, když ve standardním případě odvlhčovače s nádrží je tato plná nebo výpust ucpaná, nebo přímo v případě odvlhčovače s čerpadlem (volitelně) došlo k poruše výpustního systému. Když se rozsvítí, odvlhčovač nefunguje, je třeba resetovat přístroj za účelem jeho opětovného spuštění.
- ▶ 5.5.ZÁSUVKA DÁLKOVÉHO REGULÁTORU VLHKOSTI (5): Při připojení dálkového regulátoru vlhkosti do zásuvky můžete řídit a vzdáleně ovládat relativní vlhkost, kterou chcete v místnosti dosáhnout.
- ▶ 5.6.SPÍNAČ ZMĚNY NAPĚTÍ (6) (v případě instalace): U modelů s dvojitým napětím (...DV) můžete nastavit provozní napětí odvlhčovače a přizpůsobit se tak napětí ze sítě.

## ▶▶ 6. ZAPNUTÍ

**DŮLEŽITÉ: U modelů s dvojitým napětím (...DV) zkontrolujte:**

▶ 1-POLOHA PŘEPÍNAČE NAPĚTÍ (220-240V / 110-120V) (Obr. 5); Pokud nastavené napětí neodpovídá předpokládanému síťovému napětí, je nutné ho upravit. Odšroubujte dva upevňující šrouby krytu (Obr. 6), přepněte/stiskněte vypínač na napětí dodávané ze sítě (Obr. 7) a opětovně kryt namontujte (Obr. 8).

▶ 2-ZKONTROLUJTE TYP ZÁSUVKY; Pokud typ zásuvky neodpovídá charakteristice napájení, musí být použit příslušný adaptér.

**POKUD JE POLOHA PŘEPÍNAČE NAPĚTÍ SPRÁVNÁ A TYP ZÁSUVKY A ELEKTROINSTALACE ODPOVÍDÁ, JE MOŽNÉ PŘISTOUPIT K ZAPNUTÍ.**

Aby bylo možné uvést odvlhčovač do provozu, musí být ve svislé poloze (poloha pro běžné použití) po dobu nejméně osmi hodin. Pokud tak neučiníte, může to způsobit nenapravitelné škody na odvlhčovači.

- ▶ 6.1.Dodržte všechny bezpečnostní pokyny;
  - ▶ 6.2.Připojte napájecí kabel do elektrické sítě (Obr. 9) (viz napětí v "TABULCE TECHNICKÝCH ÚDAJŮ");
  - ▶ 6.3.Otočte regulátor vlhkosti (1 Obr. 4) na hodnotu požadované relativní vlhkosti vzduchu, odvlhčovač se automaticky spustí.
- Pomocí přepínače "RYCHLOST VENTILACE" (3 Obr. 4) můžete nechat odvlhčovač pracovat při maximálním nebo středním průtoku vzduchu v závislosti na požadavku, aby se dosáhlo maximálního komfortu v místnosti.

## ▶▶ 7. VYPNUTÍ

Chcete-li odvlhčovač vypnout, musíte:

- ▶ 7.1.Otočit regulátor vlhkosti (1 Obr. 4) do polohy "OFF";
- ▶ 7.2.Odpojit napájecí kabel z elektrické sítě po vypnutí odvlhčovače (Obr. 10).

## ▶▶ 8. PŘIPOJENÍ DÁLKOVÉHO REGULÁTORU VLHKOSTI

U modelů s přípravou pro dálkový regulátor vlhkosti (5 Obr. 4) sejměte kryt připojený k odvlhčovači a připojte dálkový regulátor vlhkosti (volitelné příslušenství) (Obr.

11). Pro správnou funkci odvlhčovače otočte knoflíkem regulátoru vlhkosti na ovládacím panelu (1 Obr. 4) do polohy "CONT" a nastavte požadovanou vlhkost na dálkovém regulátoru vlhkosti.

## ▶▶ 9. POKUD SE ODVLHČOVAČ NESPOUŠTÍ NEBO NEODVLHČUJE

Pokud se rozsvítí "KONTROLKA ALARMU" (4 Obr. 4), znamená to, že sběrná nádrž na vodu je plná a / nebo došlo k poruše čerpadla (volitelné příslušenství), stačí vyprázdnit zásobník a / nebo resetovat čerpadlo. Pokud problém přetrvává, obraťte se na autorizovaný servis.

## ▶▶ 10. PŘIPOJENÍ K ODPADNÍMU POTRUBÍ

Tento odvlhčovač poskytuje možnost připojení přístroje přímo k pevné odpadní trubce.

▶ 10.1.V PŘÍPADĚ STANDARDNÍHO ZVLHČOVAČE SE ZÁSOBNÍKEM: Nádrž má přípojku, ke které lze připojit hadici o vnitřním průměru 16mm. Před připojením hadice odstraňte šroub/zátku (je-li k dispozici) (Obr. 12) a zkontrolujte čistotu přípojky, aby se zabránilo případnému zanesení.

▶ 10.2.V PŘÍPADĚ ZVLHČOVAČE S ČERPADLEM (VOLITELNÉ PŘÍSLUŠENSTVÍ): Je možné nainstalovat čerpadlo (volitelně) k vypouštění vody odvlhčovače (Obr. 13). Připojení je jednoduché a okamžité díky připravené elektroinstalaci (specifický konektor) a vodoinstalaci (přípojka v zadní části, kde je možné připojit hadici o vnitřním průměru 16mm). Před připojením hadice odstraňte šroub/zátku (je-li k dispozici) (Obr. 14) a zkontrolujte čistotu přípojky, aby se zabránilo případnému zanesení. VŠECHNY POKYNY A INFORMACE PRO INSTALACI JSOU OBSAŽENY V SADĚ ČERPADLA.

## ▶▶ 11. PRAVIDELNÁ ÚDRŽBA

Jediná nutná údržba je pravidelné čištění filtru (Obr. 15). Čištění se provádí sejmutím filtru z přední části odvlhčovače (Obr. 16), a jeho oplachem pod tekoucí vodou v běžném umyvadle. Čištění musí být prováděno přibližně každý měsíc; v případě použití ve velmi prašném prostředí by mělo být čištění častější.

V závislosti na použití může být nutné čištění žebrované baterie za použití nízkotlaké vody. Před praním je bezpodmínečně nutné odpojit napájecí kabel z napájecího zdroje (Obr. 10). Při oplachu je nutno dodržet následující postup (Obr. 17-18):

- ▶ 11.1.Vyjměte šroub upínající kryt ke konstrukci (1);
- ▶ 11.2.Otočte kryt (2);
- ▶ 11.3.Odstraňte dva šrouby a kryt žebrované baterie (3). (Umyjte žebrovanou baterii nízkotlakou vodou a nenamočte přítom elektrický panel. VODA MUSÍ BÝT VEDENA SHORA DOLŮ);
- ▶ 11.4.Nasaďte kryt a vraťte oba šrouby zpět na místo (4);
- ▶ 11.5.Otočením kryt uveďte zpět do svislé polohy (5);
- ▶ 11.6.Vraťte zpět na místo šroub upínající kryt ke konstrukci (6).

Před restartováním odvlhčovače se ujistěte, že elektrické části nejsou vlhké a / nebo mokré, za běžných podmínek musí uplynout alespoň osm hodin. To zlepší výkon odvlhčovače a zaručí dlouhou životnost.

**A BERENDEZÉS PLOMBÁLVA VAN ÉS A KIOTÓI PROTOKOLL ÁLTAL SZABÁLYOZOTT FLUOROZOTT ÜVEGHÁZHASZNÁLÁS GÁZT TARTALMAZ. A "GWP" (Globális felmelegedési potenciál) A "MŰSZAKI ADATOK TÁBLÁZATBAN" TALÁLHATÓ.**

**FONTOS: KARBANTARTÁS, TAKARÍTÁS, JAVÍTÁS VAGY MÁS MŰVELET MEGKEZDÉSE ELŐTT MINDIG HÚZZA KI A HÁLÓZATI CSATLAKOZÓT AZ ELEKTROMOS HÁLÓZATBÓL. MIELŐTT ÚJRAINDÍTTJA A PÁRÁTLANÍTÓT GYŐZŐDJÖN MEG RÓLA, HOGY AZ ELEKTROMOS RÉSZEK NEM NYIRKOSAK VAGY NEDVESEK-E.**

## ►► 1. BIZTONSÁGI ELŐÍRÁSOK

A párátlanítót mindig olyan dugaljhoz csatlakoztassa, amelyik rendelkezik földeléssel. Ennek a szabálynak a be nem tartása, mint minden elektromos berendezés esetében, veszélyt jelenthet, amelynek következményeiért a gyártó nem vállal felelősséget. A berendezés szétszerelését kizárólag szakember végezze.

Amikor a berendezést elektromos dugaljhoz csatlakoztatja, a gépet tartsa függőlegesen és ne mozdítsa el erőteljesen. A tartályból esetlegesen víz szivároghat ki, amely az elektromos részekkel érintkezésbe kerülhet, és ez veszélyekkel járhat. Ezért elengedhetetlen, hogy kihúzza a csatlakozót a dugaljból mielőtt elmozdítja a párátlanítót, és hogy kiürítse a tartályt mielőtt felemeli a berendezést.

Ha hirtelen elmozdítás következtében víz ömlik ki a tartályból, a párátlanító készüléket hagyja függőleges helyzetben legalább 8 órán keresztül, mielőtt újra működésbe helyezi.

Ez a párátlanító berendezés a levegőt az elülső részén szívja be és a hátsó rácson keresztül üríti ki; ezért az elülső oldal, amely a levegőszűrőt tartalmazza, és a fal között tartson legalább 15 cm távolságot.

Továbbá a készüléket ne működtesse olyan szűk helyen, amely nem teszi lehetővé, hogy a hátsó rácson át távozó levegő a helyiségben szétterjedhessen. Viszont az oldalsó panelek a falhoz közel is elhelyezkedhetnek anélkül, hogy zavarnák a megfelelő működést.

Ez a párátlanító készülék a legszigorúbb normák betartása mellett készült. Ne helyezzen hegyes tárgyakat (csavarhúzó, kötőtűt vagy hasonló eszközöket) a rács közé vagy az elülső panel nyílásába, ami fedetlenül marad, amikor kiveszi a szűrőt: ez veszélyes lehet, és a berendezést is károsíthatja.

A külső burok tisztításához használjon egy nedves rongyot, miután kihúzta a csatlakozót az elektromos hálózathoz. Ne takarja le az elülső rácst rongyokkal vagy más tárgyakkal, a készülék károsodhat és veszélyessé válhat.

Rendszeresen takarítsa a szűrőt: átlagosan havonta tisztítsa; ha nagyon poros környezetben használja a készüléket, gyakrabban végezze el a tisztítást. A tisztítás módjáról a vonatkozó fejezetben olvashat részletesebben. Amikor a szűrő koszos, a szokásosnál melegebb levegő távozik, amely károsítja a berendezést, és csökkenti a teljesítményét.

## ►► 2. A PÁRÁTLANÍTÓ LEÍRÁSA

Minden hordozható párátlanító kompresszoros hűtési körfolyamatot használ. A berendezések leírását a következőkben olvashatja.

## ►► 3. A PÁRÁTLANÍTÓ ÖSSZESZERELÉSE

Ez a modell kézikarral rendelkezik. Ez a tartozék a párátlanító csomagolásában található. A kézikar felszereléséhez kövesse a következő utasításokat (Ábra 1-2):

- 3.1. Csavarja ki a fedelet a szerkezethez rögzítő csavart (1);
- 3.2. Csavarja el a fedelet (2);
- 3.3. Csavarja ki a szerkezet oldalain található négy csavart, kettőt a bal, kettőt a jobb oldalon (3);
- 3.4. Helyezze a kézikart a megfelelő pozícióba (4);
- 3.5. Helyezze vissza a szerkezet oldalain található négy csavart, kettőt a bal, kettőt a jobb oldalra (5);
- 3.6. Csavarja el a fedelet úgy, hogy újra függőleges helyzetben legyen (6);
- 3.7. Helyezze vissza a csavarokat, amelyek a fedelet a szerkezethez rögzítik (7).

## ►► 4. MŰKÖDÉS

Ez a párátlanító készülék egy hűtőkörös berendezés, amely működése a fizika azon törvényén alapul, mely szerint, amikor a levegő hideg felülettel érintkezik benedvesíti ezt, átadva a nedvességet kondenzecseppek vagy jég formájában, ha a környezeti levegő hőmérséklete nem magas.

A gyakorlatban egy hűtőberendezés hidegen tart egy bordázott akkumulátort, amelyen keresztül levegő halad át, amely kihűl és párámentesít. Ezután egy meleg hőcserélőn halad át a levegő, amely felmelegszik és visszatér a környezetbe szárazon, a kezdetihez képest kissé magasabb hőmérséklettel.

Hivatkozás a képre (Ábra 3):

A párátlanító elülső részén keresztül történik a levegő beszívása: áthalad a szűrőn (1), a ventilátoron (2), a hideg hőcserélőn (párolgató) (3), a meleg hőcserélőn (kondenzátor) (4), és végül a száraz levegő távozik a környezetbe a hátsó rácson keresztül. A kondenzvíz a tartályban halmozódik fel (5). Egy mikrokapcsoló (6) leállítja a berendezést, ha a tartályban a víz elér egy bizonyos szintet. A humidisztát (7) lehetővé teszi a párátlanító működését akkor is, amikor a levegő nedvességtartalma a kívánt szintnél magasabb. Egy elektronikus kártya (8) vezérli a jégtelenítést, és megakadályozza a kompresszor káros gyakori elindulását (9) késleltetve annak beindítását.

Ezek a párátlanító készülékek meleg gázzal működő jégtelenítő berendezéssel rendelkeznek, ezért a meleg gáz haladását biztosító elektromos szeleppel, speciális elektronikus kártyával és jégtelenítő termosztáttal vannak ellátva.

A jégtelenítő rendszer működése kizárólagos a termékeinkben: gyakorlatilag ez egy termosztáttal és elektronikus vezérléssel működő rendszer, amely csak a szigorúan véve szükséges időre használja a meleg gáz bypass szelepet. Ez megnöveli a párátlanító élettartamát, mivel lecsökkenti a meleg gázzal való működés idejét.

## ►► 5. VEZÉRLŐPANEL

A vezérlőpanel (Ábra 4) a párátlanító hátsó részén helyezkedik el és a következőket tartalmazza:

- 5.1. HUMIDISZTÁT (1): A humidisztáton 1-től 5-ig terjedő fokozatok találhatóak. A humidisztátnak minimum értékre (1) való beállítása azt jelenti, hogy a párátlanító a környezethez képest mért 80%-os nedvességtartalmat hoz létre. A humidisztátnak maximum értékre (5) való beállítása azt jelenti, hogy a párátlanító a környezethez képest mért 20%-os nedvességtartalmat hoz létre. "CONT" állásban a párátlanító mindig a vonatkozó nedvességi értéktől függetlenül működik. "OFF" állásban a párátlanító soha nem indul el (egypólusú kapcsoló).
- 5.2. ÓRASZÁMLÁLÓ (2): A számláló a párátlanító működési óráit számolja.
- 5.3. VENTILÁCIÓGYORSASÁG KIVÁLASZTÓ (3): A ventilációgyorsaság kiválasztó lehetővé teszi, hogy a

párátlanító az igényeknek megfelelően a legnagyobb vagy közepes levegőmennyiséggel dolgozzon.

- ▶ 5.4. JELZŐFÉNY (4): A jelzőfény kigyullad standard tartállyal rendelkező párátlanító esetén, ha a tartály megtelt vagy a közvetlen kieresztés eltömődött, illetve szivattyús (opcionális) párátlanító esetén, ha a kieresztésnél hiba lépett fel. Amikor kigyullad a jelzőfény, a párátlanító nem működik, kapcsolja vissza a készüléket, hogy újraindulhasson.
- ▶ 5.5. TÁVVEZÉRLÉSŰ HUMIDISZTÁT CSATLAKOZÓJA (5): TáVvezérlésű humidisztát csatlakoztatása esetén lehetőség van arra, hogy a távolból vezérelje és szabályozza a kívánt nedvességtartalmat, amelyet az adott környezetben szeretne elérni.
- ▶ 5.6. FESZÜLTSGVÁLTÓ KAPCSOLÓ (6) (ha a készülék rendelkezik ilyennel): A dupla feszültségű (...DV) modellekben be lehet állítani a készülék elektromos hálózatnak megfelelő működési feszültségét.

## ▶▶ 6. BEKAPCSOLÁS

**FONTOS: Dupla feszültségű modellek esetében (...DV) ellenőrizze a következőket:**

▶ 1-FESZÜLTSGVÁLTÓ KAPCSOLÓ ÁLLÁSA (220-240V / 110-120V) (Ábra 5); Ha a beállított feszültség nem felel meg a hálózati feszültségnek, be kell állítani a megfelelő feszültséget. Csavarja le a fedélen található két rögzítő csavart (Ábra 6) állítsa át/(nyomja meg) a kapcsolót a hálózati értékre (Ábra 7) majd szerelje vissza a fedelet (Ábra 7).

▶ 2-ELLENŐRIZZE A HÁLÓZATI CSATLAKOZÓ TÍPUSÁT; Ha a csatlakozó típusa nem egyezik meg az elektromos hálózat tulajdonságaival, akkor speciális adapter használata szükséges.

**HA A FESZÜLTSGVÁLTÓ KAPCSOLÓ ÁLLÁSA, A HÁLÓZATI CSATLAKOZÓ TÍPUSA ÉS AZ ELEKTROMOS HÁLÓZAT TULAJDONSÁGAI KOHERENSEK, ELVÉGEZHETI A BEKAPCSOLÁSI MŰVELETEKET.**

Ahhoz, hogy működésbe helyezhesse a párátlanítót, a berendezést legalább 8 órán keresztül tartsa függőleges helyzetben (normál működési pozícióban). A szabály be nem tartása helyrehozhatatlan károkat okozhat a készülékben.

- ▶ 6.1. Járjon el a biztonsági előírásoknak megfelelően;
- ▶ 6.2. Csatlakoztassa a hálózati csatlakozót az elektromos hálózathoz (9 Ábra) (FESZÜLTSGET LÁSD A "MŰSZAKI ADATOK TÁBLÁZATÁN");
- ▶ 6.3. Állítsa be a humidisztátot (1 Ábra 4) a kívánt nedvességi értékre, a párátlanító automatikusan beindul.  
A "VENTILÁCIÓGYORSASÁG" (3 Ábra 4) kiválasztónak köszönhetően a párátlanító az igényeknek megfelelően a legnagyobb vagy közepes levegőmennyiséggel dolgozik a lehető legnagyobb komfortot nyújtva.

## ▶▶ 7. KIKAPCSOLÁS

A párátlanító kikapcsolásához végezze el a következőket:

- ▶ 7.1. Csavarja el a humidisztátot (1 Ábra 4) az „OFF” felé;
- ▶ 7.2. A kikapcsolt párátlanító csatlakozóját húzza ki az elektromos hálózatból.

## ▶▶ 8. TÁVVEZÉRLÉSŰ HUMIDISZTÁT CSATLAKOZTATÁSA

A távvezérlésű humidisztáttal rendelkező modellek (5 Ábra 4) esetében, vegye le a párátlanítóra helyezett dugót és csatlakoztassa a távvezérlésű humidisztátot (opcionális) (Ábra 11). A párátlanító berendezés megfelelő működése érdekében teljesen tekerje el a humidisztát vezérlőpanelen lévő kézikarját (1 Ábra 4) a „CONT” felirat felé, és állítsa be a kívánt nedvességtartalmat a távvezérlésű humidisztátton.

## ▶▶ 9. HA A PÁRÁTLANÍTÓ NEM INDUL EL VAGY NEM PÁRAMENTESÍT

Ha a „JELZŐFÉNY” (4 Ábra 4) kigyullad, azt jelenti, hogy a vízgyűjtőtartály megtelt és/vagy a szivattyú (opcionális) rosszul működik. Üritse ki a tartályt és/vagy állítsa helyre a szivattyút. Ha a probléma nem szűnik meg, forduljon a műszaki szervizszolgálathoz.

## ▶▶ 10. ÜRÍTŐ CSŐHÖZ VALÓ CSATLAKOZTATÁS

Ezt a párátlanítót közvetlenül hozzá lehet csatlakoztatni egy fix ürítő csőhöz.

▶ 10.1. TARTÁLYAL RENDELKEZŐ STANDARD PÁRÁTLANÍTÓ ESETÉN: A tartály rendelkezik csatlakozással, amelyhez egy 16mm-es belső átmérővel rendelkező csövet lehet csatlakoztatni. Mielőtt csatlakoztatná a csövet, vegye le a csavarokat/a dugót (ha van) (Ábra 12) és ellenőrizze a csatlakozó tisztaságát az eltömődés elkerülése érdekében.

▶ 10.2. SZIVATTYÚS (OPCIONÁLIS) PÁRÁTLANÍTÓ BERENDEZÉS ESETÉBEN: A készülékre fel lehet szerelni egy (opcionális) vízürítő szivattyút (Ábra 13). A csatlakoztatás egyszerű és azonnal elvégezhető az elektromos (speciális konnektor) és hidraulikai (a hátsó részen elhelyezett csatlakozó, amelyhez 16mm-es belső átmérőjű csövet lehet csatlakoztatni) adottságoknak köszönhetően. Mielőtt csatlakoztatná a csövet, vegye le a csavarokat/a dugót (ha van) (Ábra 14) és ellenőrizze a csatlakozó tisztaságát az eltömődés elkerülése érdekében. MINDEN UTASÍTÁS ÉS A BESZERELÉS RÉSZLETEI A SZIVATTYÚ KÉSZLETÉBEN TALÁLHATÓAK.

## ▶▶ 11. RENDSZERES KARBANTARTÁS

Az egyetlen rendszeres karbantartási művelet, amelyet el kell végezni: a szűrő tisztítása (Ábra 15). A tisztításhoz távolítsa el a szűrőt a párátlanító elülső részéről (Ábra 16) és helyezze egy normál csap folyó vize alá. Átlagosan havonta végezze el ezt a műveletet; ha nagyon poros környezetben használja a készüléket, gyakrabban végezze el a tisztítást.

A használatától függően szükség lehet a bordázott akkumulátor tisztítására is, alacsony nyomású víz használatával. Mielőtt megkezdí a tisztítást, mindenképpen húzza ki a csatlakozót az elektromos hálózatból (Ábra 10). A megfelelő tisztítás érdekében kövesse a következő utasításokat (Ábra 17-18):

- ▶ 11.1. Csavarja ki a fedelet a szerkezethez rögzítő csavart (1);
- ▶ 11.2. Csavarja el a fedelet (2);
- ▶ 11.3. Csavarja ki a két csavart, és távolítsa el a bordázott akkumulátor védőborítását (3). (Alacsony nyomású vízzel tisztítsa meg a bordázott akkumulátort, közben ügyeljen arra, hogy a kapcsolótábla ne legyen vizes. A VIZET CSAK FENTRŐL LEFELÉ FOLYASSA RÁ);
- ▶ 11.4. Helyezze vissza a burkolatot és csavarja vissza a csavarokat (4);
- ▶ 11.5. Csavarja el a fedelet úgy, hogy újra függőleges helyzetbe kerüljön (5);
- ▶ 11.6. Helyezze vissza a csavarokat, amelyek a fedelet a szerkezethez rögzítik (6).

Mielőtt újra beindítaná a készüléket, győződjön meg róla, hogy az elektromos részek nem nedvesek és/vagy nyirkosak-e, normál körülmények között legalább 8 órának kell eltelnie. Ez a tisztítási művelet növeli a párátlanító berendezés teljesítményét és hosszú élettartamot biztosít.



**APARAT JE ZAPEČATEN IN VSEBUJE FLUORIRANE TOPLOGREDNE PLINE, KI SO PREDMET KJOTSKEGA PROTOKOLA. "GWP" JE NAVEDEN V "TABELI S TEHNIČNIMI PODATKI".**

**POMEMBNO: PREDEN SE LOTITE VZDRŽEVANJA, ČIŠČENJA, POPRAVIL ALI DRUGIH POSEGOV, VEDNO IZVLECITE VTIČ IZ ELEKTRIČNEGA OMREŽJA. PREDEN ZAŽENETE RAZVLAŽILNIK SE PREPRIČAJTE, DA ELEKTRIČNI DELI NISO MOKRI IN/ALI VLAŽNI.**

## ►►1. VARNOSTNA OPOZORILA

Razvlažilnik mora biti vedno povezan z ozemljenimi električnimi vtičnicami. Neupoštevanje te norme povzroči, kot pri vseh električnih aparatih, nevarnost, za katere posledice proizvajalec ne odgovarja.

Aparat sme razstaviti izključno kvalificiran tehnik. Ko je aparat priključen na električno omrežje, mora biti ohranjen v vertikalnem položaju, ne sme biti nasilno prestavljen. Morebitna puščanja vode iz rezervoarja lahko pridejo v stik z električnimi deli, kar lahko povzroči nevarnost. Zato je potrebno vedno izvleči vtič iz vtičnice, preden razvlažilnik premaknete, in izprazniti rezervoar, preden ga dvignete.

V primeru, da pride do puščanja vode zaradi nenadnih premikov, je potrebno razvlažilnik pustiti v vertikalnem položaju najmanj osem ur, preden ga ponovno uporabite.

Ta razvlažilnik sesa zrak preko sprednjega dela in ga izpihuje preko rešetke na zadnjem delu; zato mora biti sprednji panel, na katerem se nahaja zračni filter, vedno najmanj petnajst centimetrov oddaljen od stene.

Aparata poleg tega ne smete uporabljati v zaprtih prostorih, ki ne omogočajo pihanja zraka preko zadnje rešetke v prostor. Lateralne panele je mogoče namestiti ob stene, ne da bi s tem povzročili težave pri delovanju.

Ta razvlažilnik je narejen po najvišjih varnostnih standardih. V rešetko ali v odprtino, ki ostane odprta na sprednjem panelu, ko izvlečete filter, ne smete vstavljati koničastih predmetov (izvijači, pletilne igle ali podobno): to je nevarno za osebe, prav tako lahko poškoduje aparat.

Za zunanje čiščenje lahko uporabite vlažno krpo, prej morate vedno izvleči vtič iz vtičnice. Sprednje rešetke ne prekrivajte s krpami ali drugimi predmeti, aparat se poškoduje in lahko povzroči nevarno situacijo.

Redno čistite filter: čiščenje izvajajte približno enkrat mesečno; v primeru, da aparat deluje v zelo prašnih okoljih, mora biti čiščenje pogostejše. Načini čiščenja so opisani v ustreznem poglavju. Ko je filter umazan, izhaja toplejši zrak kot ponavadi, s tem se aparat poškoduje, njegov izkoristek se zmanjša.

## ►►2. OPIS RAZVLAŽILNIKA

Vsi prenosni razvlažilniki uporabljajo hladilni sistem s kompresorjem. Spodaj se nahaja opis aparatov.

## ►►3. SESTAVLJANJE RAZVLAŽILNIKA

Ta model je opremljen z ročajem. Ta del se nahaja v embalaži razvlažilnika. Za namestitev ročaja sledite spodnjemu postopku (Sl. 1-2):

- 3.1. Odstranite vijak, ki pritruje cover (pokrov) na ogrodje (1);
- 3.2. Obrnite cover (2);
- 3.3. Odstranite štiri vijake, ki se nahajajo na straneh strukture, dva na desni strani in dva na levi strani (3);
- 3.4. Ročaj namestite v pravilni položaj (4);
- 3.5. Ponovno namestite štiri vijake, ki se nahajajo na straneh ogrodja, dva na desni strani in dva na levi strani (5);
- 3.6. Obrnite cover ter ga prestavite v vertikalni položaj (6);
- 3.7. Ponovno namestite vijak, ki pritruje cover na ogrodje (7).

## ►►4. DELOVANJE

Ta razvlažilnik je aparat na hladilni cikl, ki deluje na fizikalnem principu, kjer zrak v stiku s hladno površino le-to zmoči v obliki kapljic kondenza, ali ledu, če sobna temperatura ni visoka.

Praktično hladilno napravo ohranja hladno lamelni prenosnik toplote, preko katerega teče zrak, ki se ohlaja in odstranjuje vlago. Nato prehaja preko vročega toplotnega izmenjevalnika, zrak se ogreje in se v prostor vrne brez vlage, na temperaturi, ki je malce višja od začetne temperature.

Glejte sliko (Sl. 3):

Zrak se sesa preko sprednjega dela razvlažilnika: prehaja preko filtra (1), ventilatorja (2), hladnega izmenjevalnika (uparjalnika) (3), vročega izmenjevalnika (kondanzatorja) (4), na koncu pa gre preko zadnje rešetke ven suh zrak. Kondenzirana voda se zbere v rezervoarju za vodo (5). Mikrostikalo (6) ustavi aparat, ko voda v rezervoarju doseže določeno raven. Senzor za merjenje vlage (7) omogoči delovanje razvlažilnika takrat, ko je vlažnost v prostoru višja od zelene. Elektronska kartica (8) nadzoruje odmrzitev in preprečuje škodljive zaporedne zagone kompresorja (9) tako, da zamakne njegov zagon.

Ti razvlažilniki so opremljeni z napravo za odmrzovanje na vroč plin, ter z elektroventilom za bypass vročega plina, posebno elektronsko kartico in termostatom za odmrzovanje.

Delovanje sistema za odmrzovanje je ekskluzivno značilnost naših izdelkov: praktično to pomeni, da sistem z enim termostatom in elektronsko kontrolo uporablja bypass vročega zraka le za nujno potreben čas. To podaljša življenjsko dobo razvlažilnika, saj skrajša faze delovanja vročega plina.

## ►►5. KONTROLNA PLOŠČA

Kontrolna plošča (Sl. 4) se nahaja na zadnjem delu razvlažilnika, sestavljena je iz:

- 5.1. SENZOR ZA MERJENJE VLAGE (1): Senzor za merjenje vlage ima stopenjsko lestvico od 1 do 5. Nastavitev senzorja za merjenje vlage na minimum (1) pomeni, da bo razvlažilnik deloval tako dolgo, dokler ne bo dosegel 80% relativne vlažnosti v prostoru. Nastavitev senzorja za merjenje vlage na maksimum (5) pomeni, da bo razvlažilnik deloval tako dolgo, dokler ne bo dosegel 20% relativne vlažnosti v prostoru. V položaju „CONT“ razvlažilnik deluje vedno neodvisno od vrednosti relativne vlažnosti. V položaju „OFF“ se razvlažilnik nikoli ne vklopi (enopolno stikalo).
- 5.2. ŠTEVEC UR (2): Števec ur prikazuje število ur delovanja razvlažilnika.

- ▶ 5.3. IZBIRNO STIKALO ZA HITROST VENTILACIJE (3): Izbirno stikalo za hitrost ventilacije omogoča delovanje razvlažilnika na maksimalnem pretoku zraka, ali na srednjem pretoku zraka, odvisno od potreb.
- ▶ 5.4. SIGNALNA LUČKA ZA ALARM (4): Signalna lučka za alarm se prižge, ko je pri standardnem razvlažilniku z rezervoarjem le-ta poln, ali ko je neposredni izpust zamašen, ali ko v primeru razvlažilnika s črpalko (opcijsko) pride do okvare na sistemu za izpust. Ko se signalna lučka prižge, razvlažilnik ne deluje, aparat je potrebno resetirati za njegov ponovni zagon.
- ▶ 5.5. VHOD ZA DALJINSKI SENZOR ZA MERJENJE VLAGE (5): S priključkom daljinskega senzorja za merjenje vlage lahko daljinsko nadzorujete vrednost relativne vlažnosti, ki jo želite doseči v prostoru.
- ▶ 5.6. STIKALO ZA MENJAVO NAPETOSTI (6) (kjer je prisotno): Pri modelih na dvojno napetost (...DV), je mogoče nastaviti napetost delovanja razvlažilnika glede na napetost, ki jo zagotavlja električno omrežje.

## ▶▶ 6. VKLOP

**POMEMBNO:** Pri modelih z dvojno napetostjo (... DV) preverite:

- ▶ 1-POLOŽAJ STIKALA ZA MENJAVO NAPETOSTI (220-240V / 110-120V) (Sl. 5); Če napetost, ki je nastavljena na napravi, ne ustreza omrežni napetosti, je treba napetost prilagoditi. Odvijte dva vijaka, ki pritrjujeta pokrov (Sl. 6), prestavite/pritisnite stikalo na zagotovljeno vrednost omrežne napetosti (Sl. 7) in ponovno namestite pokrov (Sl. 8).
- ▶ 2-PREVERITE TIPOLOGIJO PRIKLJUČKA; Če tipologija priključka ne odgovarja značilnostim električnega omrežja, je potrebno uporabiti specifični adapter.

**ČE SO POLOŽAJ STIKALA ZA MENJAVO NAPETOSTI, TIPOLOGIJA PRIKLJUČKA IN ELEKTRIČNO OMREŽJE SKLADNI, JE MOGOČE NADALJEVATI Z VKLOPOM APARATA.**

Če želite začeti z uporabo razvlažilnika, mora le-ta stati v vertikalnem položaju (položaj normalne uporabe) najmanj osem ur. Neupoštevanje tega pravila lahko na aparatu povzroči nepopravljivo škodo.

- ▶ 6.1. Upoštevajte vsa varnostna navodila;
- ▶ 6.2. Povežite vtičnico z električnim omrežjem (Sl. 9) (GLEJTE VREDNOST NAPETOSTI V TABELI "TEHNIČNI PODATKI");
- ▶ 6.3. Obrnite senzor za merjenje vlage (1 Sl. 4) na zeleno vrednost vlage, razvlažilnik se bo avtomatsko zagnal. Zahvaljujoč stikalu "HITROST VENTILACIJE" (3 Sl. 4), je mogoče delovanje razvlažilnika na maksimalnem pretoku zraka, ali na srednjem pretoku zraka, odvisno od potreb, ter tako doseči maksimalno udobje v prostoru.

## ▶▶ 7. IZKLOP

Za izklop razvlažilnika je potrebno:

- ▶ 7.1. Obrnite senzor za merjenje vlage (1 Sl. 4) proti "OFF";
- ▶ 7.2. Izvlecite napajalni vtič iz omrežne vtičnice, ko je razvlažilnik ugasnjen (Sl. 10).

## ▶▶ 8. POVEZAVA ZA DALJINSKI SENZOR ZA MERJENJE VLAGE

Pri modelih z možnostjo povezave daljinskega senzorja za merjenje vlage (5 Sl. 4), odstranite pokrovček, povezan z razvlažilnikom, in povežite daljinski senzor za

merjenje vlage (opcijsko) (Sl. 11). Za pravilno delovanje razvlažilnika, obrnite gumb senzorja za merjene vlage, ki se nahaja na kontrolni plošči (1 Sl. 4) proti „CONT“ in na daljinskem senzorju nastavite zeleno raven vlažnosti.

## ▶▶ 9. ČE SE RAZVLAŽILNIK NE ZAŽENE ALI NE SUŠI

Če se „SIGNALNA LUČKA ZA ALARM“ (4 Sl. 4) prižge, pomeni, da je rezervoar za zbiranje vode poln in/ali gre za okvaro delovanja črpalke (opcijsko), potrebno je izprazniti rezervoar in/ali resetirati črpalko. Če s tem težave niste odpravili, kontaktirajte pooblaščen servisni center.

## ▶▶ 10. POVEZAVA S CEVJO ZA IZPUST

Ta razvlažilnik omogoča možnost povezave aparata neposredno na fiksno cev za izpust.

▶ 10.1. STANDARDNI RAZVLAŽILNIK Z REZERVOARJEM: Rezervoar ima priključek, na katerega je mogoče priključiti cev z notranjim premerom 16mm. Preden cev povežete, odstranite vijak/pokrovček (kjer je prisoten) (Sl. 12) in preverite, da je priključek čist, ter se s tem izognite morebitnim oviram.

▶ 10.2. RAZVLAŽILNIK S ČRPALKO (OPCIJSKO): Mogoče je namestiti črpalko (opcijsko) za izpust vode razvlažilnika (Sl. 13). Povezava je enostavna s takojšnjim delovanjem, zahvaljujoč električni (poseben konektor) in hidravlični (priključek na zadnjem delu, kamor je mogoče priključiti cev z notranjim premerom 16mm) predispoziciji. Preden cev povežete, odstranite vijak/pokrovček (kjer je prisoten) (Sl. 14) in preverite, da je priključek čist, ter se s tem izognite morebitnim oviram. VSA NAVODILA IN PODROBNOSTI ZA NAMESTITEV SO NAVEDENE V KOMPLETU ČRPALKE.

## ▶▶ 11. REDNO VZDRŽEVANJE

Edini redni vzdrževalni poseg je čiščenje filtra (Sl. 15). Čiščenje se izvaja tako, da filter odstranite s sprednjega dela razvlažilnika (Sl. 16), in ga pod vodnim curkom v umivalniku operete. Čiščenje izvajajte približno enkrat mesečno; v primeru, da aparat deluje v zelo prašnih okoljih, mora biti čiščenje pogostejše.

Glede na uporabo bo lahko potrebno čiščenje lamelne prenosnika toplote s pomočjo šibkega vodnega curka. Preden začnete s pranjem, je nujno potrebno izvleči vtič iz omrežne vtičnice (Sl. 10). Za pravilno pranje je potrebno slediti spodnjemu postopku (Sl. 17-18):

- ▶ 11.1. Odstranite vijak, ki pritrjuje cover (pokrov) na ogrodje (1);
- ▶ 11.2. Obrnite cover (2);
- ▶ 11.3. Odstranite dva vijaka in zaščito lamelnega prenosnika toplote (3). (Operite lamelni prenosnik toplote s šibkim curkom vode, bodite previdni da ne zmočite stikalne plošče. VODA MORA PREHAJATI OD ZGORAJ NAVZDOL);
- ▶ 11.4. Ponovno namestite zaščito in dva vijaka (4);
- ▶ 11.5. Obrnite cover ter ga prestavite v vertikalni položaj (5);
- ▶ 11.6. Ponovno namestite vijak, ki pritrjuje cover na ogrodje (6).

Predn ponovno vklopite razvlažilnik se prepričajte, da električni deli niso mokri in/ali vlažni, v normalnih pogojih mora preteči najmanj osem ur. Takšno čiščenje izboljšuje rezultate razvlažilnika in zagotavlja dolgo življenjsko dobo.

**CİHAZ SIZDIRMAZ ŞEKİLDE KAPALIDIR VE KYOTO PROTOKOLÜ TARAFINDAN DÜZENENEN SERA ETKİSİNE SAHİP FLORLANMIŞ GAZ İÇERMEKTEDİR. "GWP" "TEKNİK VERİLER TABLOSU" NDA BELİRTİLMEKTEDİR.**

**ÖNEMLİ: HER BAKIM, TEMİZLİK, ONARIM VEYA BUNUN GİBİ BİR İŞLEMEN ÖNCE, DAİMA FİŞİ ELEKTRİK ŞEBEKESİNDEN SÖKÜNÜZ. NEM ALMA CİHAZINI YENİDEN ÇALIŞTIRMADAN ÖNCE, ELEKTRİK AKSAMININ ISLAK VE/VEYA NEMLİ OLMADIĞINDAN EMİN OLUNUZ.**

## ►► 1. GÜVENLİK UYARILARI

Nem alma cihazı daima topraklı bir prize bağlanmalıdır. Tüm elektrikli cihazlar için geçerli olduğu üzere, bu standarda uyulmaması sonuçları konusunda üreticinin hiçbir sorumluluk kabul etmediği bir tehlike yaratır.

Cihaz yalnızca kalifiye bir teknisyen tarafından sökülmelidir.

Cihaz bir elektrik prizeye bağlandığında, dikey konumda tutulmalıdır ve nazikçe yeri değiştirilmelidir. Tanktan olası su sızıntısı elektrikli parçalar ile temas edebilir ve sonucunda tehlike doğurabilir. Dolayısıyla, nem alma cihazını hareket ettirmeden önce fişin çıkartılması ve kaldırılmadan önce tankın boşaltılması kesinlikle zaruridir.

Kaba yer değiştirme müdahalelerinden sonra su dağılması meydana gelirse, nem alma cihazı yeniden çalıştırılmadan önce en az sekiz saat boyunca dikey konumda sabit kalmalıdır.

Bu nem alma cihazı havayı ön kısımdan emmekte ve arka ızgaradan çıkarmaktadır; bundan dolayı, hava filtresinin bulunduğu ön panel duvarlardan en az on beş santimetre mesafede tutulmalıdır.

Ayrıca, cihaz arka ızgaradan çıkan havanın ortamda yayılmasına izin vermeyen dar alanlarda çalıştırılmamalıdır. Bununla birlikte, yan panellerin duvarlara yaslanması normal çalışmada hiçbir güçlük yaratmaz.

Bu nem alma cihazı en sıkı güvenlik standartlarına uyularak üretilmektedir. Ayrıca, filtreyi çıkartırken ön panelde örtülü olmayan açıklığa veya ızgaraya sivri nesnelere sokulmamalıdır (tornavida, şiş veya benzeri nesnelere) çünkü bu müdahale kişiler için tehlikeli olabilir ve cihaza zarar verebilir.

Cihazın dışı fiş elektik şebekesinden söküldükten sonra nemli bir bez ile temizlenir. Ön ızgarayı bez veya başka nesnelere örtmeyiniz; cihaz hasar görebilir ve tehlikeli bir durum oluşabilir.

Filtreyi periyodik olarak temizleyiniz: Temizlik ortalama olarak her ay gerçekleştirilmelidir; çok tozlu ortamlarda kullanılması halinde, temizlik daha sık yapılmalıdır. Temizliğin nasıl yapılacağına dair bilgi için, ilgili bölüme bakınız. Filtre kirli olduğunda, hava normalden daha sıcak çıkar ve bu durum cihaza hasar verebilir ve verimi düşürebilir.

## ►► 2. NEM ALMA CİHAZININ TARİFİ

Tüm taşınabilir nem alma cihazlarında kompresörlü soğutma devresi kullanılmaktadır. Teçhizatlar aşağıda tarif edilmektedir.

## ►► 3. NEM ALMA CİHAZININ MONTAJI

Bu model bir kola sahiptir. Bu parça nem alma cihazının ambalajının içinde bulunmaktadır. Kolun monte edilmesi için, aşağıdaki prosedürü takip ediniz (Şekil 1-2):

► 3.1.Kapağı yapıya sabitleyen vidayı sökünüz (1);

► 3.2.Kapağı döndürünüz (2);

► 3.3.Yapının sol yanında bulunan iki ve sağ yanında bulunan iki vida olmak üzere dört vidayı (3) çıkartınız;

► 3.4.Kolu doğru konumda yerleştiriniz (4);

► 3.5.Yapının sol yanında bulunan iki ve sağ yanında bulunan iki vida olmak üzere dört vidayı (5) yeniden takınız;

► 3.5.Kapağı dikey konumda getirmek üzere döndürünüz (6);

► 3.6.Kapağı yapıya sabitleyen vidayı yeniden takınız (7).

## ►► 4. ÇALIŞMA

Bu nem alma cihazı çalışması havanın soğuk bir yüzey ile temas etmesi halinde bu yüzeyi yoğuşma damlaları şeklinde veya ortam sıcaklığı yüksek değilse buz şeklinde nem bırakarak soğutmasını belirten fizik prensibine dayalı olarak çalışan bir soğutma devresine sahip bir cihazdır.

Uygulamada, bir soğutucu makine soğutmayı ve nem almayı sağlayan havanın geçirildiği bir lamelli borulu bataryayı soğuk tutmaktadır. Ardından, bir sıcak ısı değiştiriciden geçmek suretiyle hava nemi alınmış olan ve sıcaklığı başlangıç sıcaklığından biraz daha yüksek olan ortama dönmek üzere ısınır.

Çizime bakınız (Şekil 3):

Hava nem alma cihazının ön kısmından emilir: filtreden (1), fandan (2), soğuk değiştiricisinden (buharlaştırıcı) (3) ve sıcak değiştiricisinden (kondensatör) (4) geçtikten sonra, sonunda nemi alınan hava çıkar ve arka ızgaradan geçerek ortama verilir. Yoğuşmuş su tankta toplanır (5). Bir mikroşalter (6) tanktaki su belirli bir seviyeye ulaştığında cihazı durdurur. Nem ayarlayıcı (7) ortamdaki nem istenen seviyeden daha yüksek olduğunda nem alma cihazının çalışmasına onay verir. Bir elektrik kartı (8) buzlanmayı engeller ve çalışmalarını geciktirmek suretiyle kompresörün (9) hasara yol açabilecek şekilde kısa aralarla çalışmasını engeller.

Bu nem alma cihazları sıcak gazlı buzlanmayı önleyici sistemin yanı sıra sıcak gazı atlayarak geçmesi için bir elektrovalf, özel bir elektronik kart ve bir buzlanmayı önleyici termostat ile donatılmıştır.

Buzlanmayı önleyici sistemin çalışma şekli ürünlerimizde özeldir: uygulamada, bir termostata ve bir elektronik kontrole sahip sistem yalnızca kesinlikle gerekli olan süre boyunca sıcak gazın atlayarak geçmesinden faydalanmaktadır. Böylece, sıcak gaz ile çalışma aşamasını kısaltarak nem alma cihazının ömrünü uzatmaktadır.

## ►► 5. KUMANDA PANELİ

Kumanda paneli (Şekil 4) nem alma cihazının arka kısmında bulunmaktadır ve şunları içermektedir:

► 5.1.NEM AYARLAYICI (1): Nem ayarlayıcı 1 ile 5 arasında bir ölçüğe sahip derecelendirme içermektedir. Nem ayarlayıcının minimum değere (1) ayarlanması ile, nem alma cihazı ortamda 80% oranında bir nisbi nem elde edilecek şekilde çalışır. Nem ayarlayıcının maksimum değere (5) ayarlanması ile, nem alma cihazı ortamda 20% oranında bir nisbi nem elde edilecek şekilde çalışır. "CONT" konumunda, nem alma cihazı daima nisbi nem değerinden bağımsız olarak çalışır. "OFF" konumunda, nem alma cihazı asla çalışmaya başlamaz (tek kutuplu şalter).

► 5.2.SAAT SAYACI (2): Saat sayacı nem alma cihazının çalıştığı saat sayısını gösterir.



- ▶ 5.3.HAVALANDIRMA HIZI SELEKTÖRÜ (3): Havalandırma hızı selektörü nem alma cihazının ihtiyaca göre maksimum hava debisinde veya orta düzeyde bir hava debisinde çalıştırılmasına izin verir.
- ▶ 5.4.ALARM İKAZ IŞIĞI (4): Alarm ikaz ışığı standart tanklı nem alma cihazında depo dolu olduğunda veya doğrudan tahliye tıkanmış olduğunda veya pompalı nem alma cihazında (opsiyonel) tahliye sisteminde çalışma sorunu varsa yanar. İkaz ışığı yandığında, nem alma cihazı çalışmaz; bu durumda nem alma cihazını yeniden çalıştırmak için cihazı yeniden başlatınız.
- ▶ 5.5.UZAKTAN NEM AYARLAYICI PRİZİ (5): Prize bir uzaktan nem ayarlayıcı bağlanarak, ortamda elde edilmek istenen nisbi nem uzaktan yönetilebilir ve kontrol edilebilir.
- ▶ 5.6.GERİLİM DEĞİŞTİRME ALTERİ (6) (eğer varsa): Çift voltajlı (...DV) modellerde, elektrik şebekesi tarafından sağlanan gerilime uygun kılmak için nem alma cihazının çalışma gerilimi ayarlanabilir.

## ▶▶ 6. ÇALIŞTIRMA

**ÖNEMLİ:** Çift voltajlı (...DV) modellerde, şunlar kontrol ediniz:

- ▶ 1-GERİLİM DEĞİŞTİRME ŞALTERİNİN KONUMU (220-240V / 110-120V) (Şekil 5); Eğer ayarlanan gerilim şebeke tarafından sağlanan gerilim ile aynı değilse, gerilimin uygun hale getirilmesi için müdahale edilmelidir. Kapağın iki tespit vidasını sökünüz (Şekil 6), şalteri verilen gerilim değerine getiriniz veya verilen gerilim değerine basınız (Şekil 7) ve kapağı yeniden monte ediniz (Şekil 8).
  - ▶ 2-PRİZİN TÜRÜNÜ KONTROL EDİNİZ; Eğer priz in türü gelen elektriğin özelliklerine karşılık gelmiyorsa, spesifik bir adaptör ile uygun hale getirilmesi gerekir.
- EĞER GERİLİM DEĞİŞTİRME ŞALTERİNİN KONUMU, PRİZİN TÜRÜ VE GELEN ELEKTRİK AKIMI UYUMLU İSE, NEM ALMA CİHAZI ÇALIŞTIRILABİLİR.**

Nem alma cihazının çalıştırılabilmesi için, cihaz en az sekiz saat boyunca dikey konumda kalmış olmalıdır (normal kullanım konumu). Bu standarda uyulmaması nem alma cihazında onarılamaz bir hasara neden olabilir.

- ▶ 6.1.Güvenlik ile ilgili tüm talimatlara uyunuz;
  - ▶ 6.2.Fişi elektrik şebekesine bağlayınız (Şekil 9) ("TEKNİK VERİLER TABLOSU"NDAN GERİLİME BAKINIZ);
  - ▶ 6.3.Nem ayarlayıcıyı (1 Şekil 4) istenen nisbi nem değeri üzerine çeviriniz, nem alma cihazı otomatik olarak çalışmaya başlayacaktır.
- "HAVALANDIRMA HIZI" selektörü sayesinde, (3 Şekil 4) nem alma cihazı ortamda en üst düzeyde konfor sağlayacak şekilde ihtiyaca göre maksimum hava debisi veya orta düzeyde bir hava debisi ile çalıştırılabilir.

## ▶▶ 7. KAPATMA

Nem alma cihazını kapatmak için:

- ▶ 7.1.Nem ayarlayıcıyı (1 Şekil 4) "OFF" konumuna doğru çeviriniz;
- ▶ 7.2.Nem alma cihazı kapandıktan sonra fişi elektrik şebekesinden sökünüz (Şekil 10).

## ▶▶ 8. UZAKTAN NEM AYARLAYICI BAĞLANMASI

Uzaktan nem ayarlayıcı özelliğe sahip modeller için (5 Şekil 4), nem alma cihazına bağlı tıpayı çıkartınız ve uzaktan nem ayarlayıcıyı (opsiyonel) bağlayınız (Şekil

11). Nem alma cihazının düzgün çalışması için, kumanda paneli üzerindeki nem ayarlayıcı kolunu "CONT" yönünde tamamen döndürünüz (1 Şekil 4) ve uzaktan nem ayarlayıcı üzerinde istenen nemi ayarlayınız.

## ▶▶ 9. EĞER NEM ALMA CİHAZI ÇALIŞMIYORSA VEYA NEMİ ALMIYORSA

Eğer "ALARM İKAZ IŞIĞI" (4 Şekil 4) yanarsa, su toplama tankı doludur ve/veya pompa düzgün çalışmıyordur (opsiyonel). Bu durumda, tankın boşaltılması ve/veya pompanın yeniden başlatılması yeterlidir. Eğer sorun devam ederse, yetkili teknik servis ile iletişime geçiniz.

## ▶▶ 10. BİR TAHLİYE TÜPÜNE BAĞLAMA

Bu nem alma cihazı, cihazı doğrudan sabit bir tahliye tüpüne bağlama imkanı sunmaktadır.

- ▶ 10.1.STANDART TANKLI NEM ALMA CİHAZI İLE: Depo 16mm'lik bir iç çapa sahip tüpün bağlanabileceği bir rakora sahiptir. Tüpü bağlamadan önce, vidayı/tıpayı (eğer varsa) çıkartınız (Şekil 12) ve olası tıkanıklıkları engellemek için rakorun temizliğinden emin olunuz.
- ▶ 10.2.POMPALI NEM ALMA CİHAZI İLE (OPSİYONEL): Nem alma cihazına bir su tahliye pompası (opsiyonel) monte edilebilir (Şekil 13). Bağlantı elektrikli (spesifik konnektör) ve hidrolik (16mm'lik bir iç çapa sahip tüpün bağlanabildiği arka kısımda bulunan rakor) düzen sayesinde kolay ve hızlı bir şekilde yapılmaktadır. Tüpü bağlamadan önce, vidayı/tıpayı (eğer varsa) çıkartınız (Şekil 14) ve olası tıkanıklıkları engellemek için rakorun temizliğinden emin olunuz. KURULUM İÇİN TÜM TALİMATLAR VE AYRINTILAR POMPA KİTİNDE TEMİN EDİLMEKTEDİR.

## ▶▶ 11. PERİYODİK BAKIM

Periyodik olarak gerçekleştirilmesi gereken tek bakım filtre temizliğidir (Şekil 15). Temizlik nem alma cihazının ön kısmından filtre çıkartılarak (Şekil 16) ve normal bir lavaboda akan suyun altına yerleştirilerek gerçekleştirilir. Ortalama olarak her ay gerçekleştirilmelidir; çok tozlu ortamlarda kullanılması halinde, temizlik daha sık yapılmalıdır.

Kullanıma göre, lamelli borulu bataryanın alçak basınçlı su ile temizlenmesi gerekebilir. Yıkama işleminin gerçekleştirilmesinden önce, fişi daima elektrik şebekesinden sökülmelidir (Şekil 10). Doğru bir yıkama işlemi gerçekleştirmek için, aşağıdaki prosedürü takip ediniz (Şekil 17-18):

- ▶ 11.1.Kapağı yapıya sabitleyen vidayı sökünüz (1);
- ▶ 11.2.Kapağı döndürünüz (2);
- ▶ 11.3.İki vidayı sökünüz ve lamelli borulu bataryanın korumasını çıkartınız (3). (Elektrik panelini ıslatmamaya dikkat ederek, lamelli borulu bataryayı alçak basınçlı su ile yıkayınız. SU AKIŞI YALNIZCA YUKARIDAN AŞAĞIYA DOĞRU OLMALIDIR);
- ▶ 11.4.Korumayı yeniden monte ediniz ve iki vidayı yeniden takınız (4);
- ▶ 11.5.Kapağı dikey konumda getirmek üzere döndürünüz (5);
- ▶ 11.6.Kapağı yapıya sabitleyen vidayı yeniden takınız (6).

Nem alma cihazını yeniden çalıştırmadan önce, elektrik aksamının ıslak ve/veya nemli olmadığından emin olunuz. Normal koşullar altında, en az sekiz saat geçmelidir. Bu temizlik nem alma cihazının verimini artırır ve uzun ömürlü olmasını sağlar.

**APARAT JE NEPROPUSAN I SADRŽI FLUORIRANE STAKLENIČKE PLINOVE KOJI PODLIJEŽU PROTOKOLU IZ KYOTA. "GPW" SE NAVODI U "TABLICI S TEHNIČKIM PODACIMA".**

**VAŽNO: PRIJE BILO KOJEG ODRŽAVANJA, ČIŠĆENJA, POPRAVLJANJA ILI NEČEG DRUGOG, UVIJEK ISKOPČAJTE STRUJNI UTIKAČ IZ MREŽE. PRIJE NEGO ŠTO POKRENETE ODVLAŽIVAČ ZRAKA, UVJERITE SE DA ELEKTRIČNI DIJELOVI NISU VLAŽNI I/ ILI MOKRI.**

## ▶▶ 1. SIGURNOSNA UPOZORENJA

Odvlaživač zraka se mora uvijek povezati na strujne utičnice opremljene žicom za uzemljenje. Nepoštivanje tog propisa, kao i kada je riječ o svim ostalim električnim aparatima uzrokuje opasnost za čije se posljedice proizvođač neće smatrati odgovornim.

Rastavljanje aparata mora obaviti isključivo kvalificirani tehničar.

Kada je aparat povezan na strujnu utičnicu mora se držati u okomitom položaju te se ne smije silom pomicati. Eventualno curenje vode iz spremnika bi moglo doći u dodir s električnim dijelovima i stvoriti opasna stanja. Stoga je neophodno iskopčati utikač prije nego što pomaknete odvlaživač i ispraznite spremnik prije njegovog podizanja.

U slučaju da dođe do prolijevanja vode zbog naglih pomicanja, odvlaživač zraka će morati ostati nepomičan u okomitom položaju barem osam sati prije nego što se ponovno pusti u rad.

Ovaj odvlaživač zraka usisava zrak na prednjoj strani i ispušta ga kroz stražnju rešetku; stoga se prednja ploča koja sadrži filter za zrak mora držati na udaljenosti od barem petnaest centimetara od zida.

Uređaj također ne bi smio raditi u skućenim prostorima koji ne dopuštaju širenje u prostor zraka koji izlazi iz stražnje rešetke. Suprotno, možete približiti bočne ploče zidu bez da tako nešto stvori probleme za normalni rad.

Ovaj odvlaživač zraka je izrađen poštivanjem najstrožijih sigurnosnih propisa. Stoga ne smijete umetati oštre predmete (odvijače, igle za pletenje ili slično) u rešetke ili otvore koji se vide nakon skidanja prednje ploče povodom vađenja filtra: tako nešto je opasno po ljude i može oštetiti aparat.

Da biste ga očistili, koristite vlažnu krpu nakon što ste iskopčali utičnicu iz električne mreže. Ne pokrivajte prednju rešetku krpama ili drugim predmetima, aparat će se oštetiti i može dovesti do opasnih stanja.

Periodično očistite filter: čišćenje se mora obaviti manje-više svaki mjesec; u slučaju korištenja u vrlo prašnjavim prostorima, ono mora biti i češće. Što se tiče načina čišćenja, pogledajte odgovarajući odjeljak. Kada je filter prljav, izlazit će topliji zrak nego inače te će oštetiti aparat i smanjiti njegovu učinkovitost.

## ▶▶ 2. OPIS ODVLAŽIVAČA ZRAKA

Svi prenosivi odvlaživači zraka koriste rashladni ciklus s kompresorom. Aparati se opisuju u nastavku.

## ▶▶ 3. SASTAVLJANJE ODVLAŽIVAČA ZRAKA

Ovaj model ima ručicu. Ta se komponenta nalazi u ambalaži odvlaživača zraka. Da biste instalirali ručicu, pridržavajte se sljedećeg postupka (Sl. 1-2):

- ▶ 3.1. Skinite vijak koji pričvršćuje poklopac na strukturu (1);
- ▶ 3.2. Okrećite poklopac (2);
- ▶ 3.3. Skinite četiri vijka postavljena na bočnoj strani strukture, dva na lijevom a dva na desnom boku (3);
- ▶ 3.4. Postavite ručicu u pravilan položaj (4);
- ▶ 3.5. Ponovno postavite četiri vijka koji se nalaze na boku strukture, dva na lijevi a dva na desni bok (5);
- ▶ 3.6. Okrećite poklopac kako biste ga ponovno postavili u okomiti položaj (6);
- ▶ 3.7. Ponovno instalirajte vijak koji pričvršćuje poklopac na strukturu (7).

## ▶▶ 4. RAD

Ovaj odvlaživač je rashladna jedinica čiji se rad temelji na fizičkom principu da kad zrak dođe u dodir s hladnom površinom, mokri je i ispušta vlagu u obliku kapi kondenzacije ili leda kada vanjska temperatura nije visoka.

U praksi rashladni uređaj održava hladnim rebraste zavojnice, kroz koje prolazi zrak koji se hladi i odvlažuje. Zrak prolazi kroz vrući izmjenjivač topline te se zagrijava da bi se onda vratio u odvlaženi prostor na lagano višoj temperaturi od one početne.

Pogledajte crtež (Sl. 3):

Zrak se usisava kroz prednju stranu odvlaživača: prolazi kroz filter (1), ventilator (2), hladni izmjenjivač (isparivač) (3), topli izmjenjivač (kondenzator) (4) i na kraju odvlaženi zrak izlazi i vraća se u prostor kroz stražnju rešetku. Kondenzirana voda se skuplja u spremnik (5). Mikroprekidač (6) zaustavlja aparat kada voda u spremniku dođe do neke određene razine. Vlagomjer (7) omogućuje rad odvlaživača zraka kada je vlaga u prostoru viša od željene razine. Elektronska kartica (8) upravlja ciklusom odmrzavanja i sprječava štetne kratke cikluse kompresora (9) odgađanjem početka.

Ovi su odvlaživači opremljeni uređajem za odleđivanje na topli plin, stoga imaju i električni ventil za premošćavanje toplog plina, posebnom elektronskom karticom i termostatom za odleđivanje.

Rad sustava za odleđivanje je ekskluzivan za naše proizvode; praktički sustav s termostatom i elektronskom kontrolom koristi premošćenje vrućeg plina samo za neophodno kratko vrijeme. Tako nešto produljuje životni vijek odvlaživača zraka i smanjuje fazu rada s toplim plinom.

## ▶▶ 5. UPRAVLJAČKA PLOČA

Upravljačka ploča (Sl. 4) se nalazi na stražnjoj strani odvlaživača zraka i obuhvaća:

- ▶ 5.1. VLAGOMJER (1): Vlagomjer ima na sebi ljesticu koja ide od 1 do 5. Postavljanjem vlagomjera na minimalnu vrijednost (1) to znači da će odvlaživač zraka raditi sve dok ne postigne 80% relativne vlažnosti prostora. Postavljanjem vlagomjera na maksimalnu vrijednost (5) to znači da će odvlaživač zraka raditi sve dok ne postigne 20% relativne vlažnosti prostora. U položaju "CONT" odvlaživač će zrak raditi neovisno od vrijednosti relativne vlažnosti. U položaju "OFF" odvlaživač se uopće neće pokretati (jednopolarna sklopka).
- ▶ 5.2. BROJAČ SATI (2): Brojač navodi broj sati rada odvlaživača zraka.

- ▶ 5.3. IZBORNİK BRZINE VENTILACIJE (3): Izbornik brzine ventilacije omogućuje rad odvlaživača na maksimalnoj brzini protoka zraka ili na onoj srednjoj ovisno o potrebama.
- ▶ 5.4. IND.SVJETLO ALARMA (4): Ind.svjetlo alarma se uključuje u slučaju standardnog odvlaživača zraka sa spremnikom kada je on pun ili kada je izravni odvod zaštopan ili kada je riječ o odvlaživaču s pumpom (opcija) u slučaju kvara na sustavu za odvod. Kada se uključí ind.svjetlo odvlaživač zraka ne radi, ponovno pokrenite aparat.
- ▶ 5.5. UTIČNICA DALJINSKOG VLAGOMJERA (5): Ako ukopčate daljinski vlagomjer u utičnicu, možete na daljinu upravljati i kontrolirati relativnu vlažnost koju želite postići u prostoru.
- ▶ 5.6. SKLOPKA ZA PROMJENU NAPONA (6) (tamo gdje postoji): U modelima s dvojnim naponom (...DV), možete postaviti radni napon odvlaživača zraka da biste ga prilagodili naponu iz strujne mreže.

## ▶▶ 6. UKLJUČIVANJE

**VAŽNO:** Kada je riječ o modelima sa dvostrukom voltažom (...DV), kontrolirajte:

▶ 1-POLOŽAJ SKLOPKE ZA PROMJENU NAPONA (220-240V / 110-120V) (Sl. 5); Ako se napon postavljen na grijaču ne podudara s onim mreže, trebate intervenirati da biste prilagodili napon. Odvijte dva vijka za pričvršćivanje poklopca (Sl. 6) da biste pomaknuli/pritisnuli sklopku na vrijednost napona kojom se opskrbljuje (Sl. 7) i ponovno postavite poklopac (Sl. 8).

▶ 2-PROVJERITE TIP UTIČNICE; Ako tip utičnice ne bude odgovarao značajkama napajanja, morat ćete je prilagoditi uz pomoć odgovarajućeg adaptera.

**AKO SE POLOŽAJ SKLOPKE ZA PROMJENU NAPONA, TIP UTIČNICE I NAPON STRUJE BUDU PODUDARALI, MOŽETE POČETI SA SLIJEDOM UKLJUČIVANJA.**

Da bi mogli pustiti u rad odvlaživač, on mora ostati u okomitom položaju (položaj normalnog korištenja) najmanje osam sati. Nepoštivanje ovog pravila može dovesti do nepovratnog oštećenja odvlaživača zraka.

- ▶ 6.1. Slijedite sve upute glede sigurnosti;
  - ▶ 6.2. Ukopčajte utikač za napajanje na električnu mrežu (Sl. 9) (VIDI NAPON NA "TABLICI S TEHNIČKIM PODACIMA");
  - ▶ 6.3. Okrenuti vlagomjer (1 Sl. 4) na željenu relativnu vrijednost vlage, odvlaživač zraka će se automatski pokrenuti.
- Zahvaljujući izborniku "BRZINA VENTILACIJE" (3 Sl. 4) odvlaživač zraka može raditi na maksimalnom protoku zraka ili na onom srednjem ovisno o potrebama na način da se postigne maksimalni komfor u prostoru.

## ▶▶ 7. ISKLJUČIVANJE

Da biste isključili odvlaživač zraka morate:

- ▶ 7.1. Okrenuti vlagomjer (1 Sl. 4) prema "OFF";
- ▶ 7.2. Iskopčati utikač iz strujne mreže kada je odvlaživač zraka isključen (Sl. 10).

## ▶▶ 8. POVEZIVANJE DALJINSKOG VLAGOMJERA

Za modele koji imaju daljinski vlagomjer (5 Sl. 4) skinite čep povezan na odvlaživač i spojite daljinski vlagomjer (opcija) (Sl. 11). Da bi odvlaživač zraka mogao ispravno

raditi, u potpunosti okrenite ručicu vlagomjera na upravljačkoj ploči (1 Sl. 4) prema "CONT" i prilagodite željenu vlagu na daljinskom vlagomjeru.

## ▶▶ 9. AKO SE ODVLAŽIVAČ ZRAKA NE POKREĆE ILI NE ODVLAŽUJE

Ako se "IND.SVJETLO ALARMA" (4 Sl. 4) uključí to znači da je spremnik za skupljanje vode pun i/ili postoji neki kvar na pumpi (opcija), dovoljno je isprazniti spremnik i/ili povratiti rad pumpe. Ako se problem ni tako ne riješi, kontaktirajte ovlaštenog servisera.

## ▶▶ 10. POVEZIVANJE NA CIJEV ZA ODVOD

Ovaj odvlaživač zraka predviđa mogućnost da se aparat izravno spoji na fiksnu cijev za odvod.

▶ 10.1. U STANDARDNOM SLUČAJU S ODVLAŽIVAČEM ZRAKA SA SPREMNIKOM: Spremnik ima spojnicu na koju se može povezati cijev unutrašnjeg promjera od 16mm. Prije nego što povežete cijev, skinite vijak/čep (tamo gdje postoji) (Sl. 12) i provjerite čistoću spoja kako ne bi došlo do začepljenja.

▶ 10.2. U SLUČAJU ODVLAŽIVAČA S PUMPOM (OPCIJA): Moguće se opcionalno instalirati pumpu za odvod vode na odvlaživač zraka (Sl. 13). Povezivanje je brzo i jednostavno jer je sve već spremno za električno (specifični konektor) i hidraulično spajanje (spojnica se nalazi na stražnjem dijelu na kojem se može povezati cijev unutrašnjeg promjera od 16mm). Prije nego što povežete cijev, skinite vijak/čep (tamo gdje postoji) (Sl. 14) i provjerite čistoću spoja kako ne bi došlo do začepljenja. SVE UPUTE I DETALJI ZA INSTALACIJU SE PRILAŽU U KOMPLETU S PUMPOM.

## ▶▶ 11. PERIODIČNO ODRŽAVANJE

Jedino održavanje koje se mora periodično obavljati je čišćenje filtra (Sl. 15). Čišćenje se mora obaviti na način da skinete filter sa prednje strane odvlaživača zraka (Sl. 16) i stavite ga pod mlaz vode u običnom umivaoniku. To morate obaviti svaki mjesec; u slučaju uporabe u vrlo prašnjavim prostorima ono će se morati obaviti i češće.

S obzirom na uporabu, možda će se morati očistiti rebraste zavojnice vodom pod niskim tlakom. Prije nego što obavite pranje, obavezno iskopčajte utikač za napajanje na struju (Sl. 10). Da biste pravilno obavili pranje, pridržavajte se sljedećeg postupka (Sl. 17-18):

- ▶ 11.1. Skinite vijak koji pričvršćuje poklopac na strukturu (1);
- ▶ 11.2. Okrećite poklopac (2);
- ▶ 11.3. Skinite dva vijka i uklonite zaštitu rebraste zavojnice (3). Operite rebrastu zavojnicu vodom pod niskim tlakom i pazite da ne poprskate električnu ploču. PROTOK VODE MORA BITI ODOZGO PREMA DOLJE);
- ▶ 11.4. Ponovno postavite zaštitu i ponovno postavite dva vijka (4);
- ▶ 11.5. Okrećite poklopac kako biste ga ponovno postavili u okomiti položaj (5);
- ▶ 11.6. Ponovno instalirajte vijak koji pričvršćuje poklopac na strukturu (6).

Prije nego što ponovno pokrenete odvlaživač zraka, uvjerite se da električni dijelovi nisu mokri i/ili vlažni, u normalnim uvjetima mora proći barem 8 sati. Ovakvo čišćenje poboljšava performanse odvlaživača zraka i osigurava njegov dugi životni vijek.



**PRIETAISAS YRA SANDARIAI UŽDARYTAS IR JAME YRA FLUORINTŲ ŠILTNAMIO EFEKTĄ SUKELIANČIŲ DUJŲ, ĮRAŠYTŲ Į KIOTO PROTOKOLĄ. VISUOTINIO ATŠILIMO POTENCIALAS „GWP“ PATEIKTAS TECHNINIŲ DUOMENŲLENTELĖJE.**

**SVARBU: PRIEŠ ATLIKDAMI PRIEŽIŪROS, VALYMO AR TAISYMO DARBUS, PRIETAISĄ VISADA ATJUNKITE NUO ELEKTROS MAITINIMO TINKLO. PRIEŠ ĮJUNGDAMI ORO SAUSINTUVĄ, ĮSITIKINKITE, KAD ELEKTRINĖS DALYS NEŠLAPIO IR (ARBA) NESUDRĖKUSIOS.**

## ▶▶ 1. SAUGOS ĮSPĖJIMAI

Oro sausintuvas turi būti visada prijungtas prie įžemintų elektros energijos lizdų. Nepaisant šios normos, galiojančios visiems elektros prietaisams, kyla pavojus, už kurio pasekmes gamintojas neprisiima jokios atsakomybės.

Prietaisą išardyti gali tik kvalifikuotas technikas.

Jei prietaisas yra prijungtas prie elektros lizdo, jis turi stovėti vertikaliajoje padėtyje ir negalima jo smarkiai judinti ar perkelti. Iš bakelio ištekėjęs vanduo gali susiliesti su elektrinėmis dalimis ir dėl to gali kilti rimtas pavojus. Prieš perkeldami oro sausintuvą, būtinai ištraukite elektros lizdo kištuką, o norėdami jį pakelti, pirmiausia ištuštinkite bakelį. Jei smarkiai sujudinus oro sausintuvą ištekėtų vandens, palikite jį stovėti vertikaliajoje padėtyje bent aštuonioms valandoms ir tik tuomet įjunkite. Šis oro sausintuvas siurbia orą per priekinę dalį ir jį šalina per galines groteles; todėl priekinis skydas, kuriame įtaisytas ir oro filtras, turi būti laikomas bent penkiolikos centimetrų atstumu nuo sienos.

Nejunkite prietaiso ankštose erdvėse, kuriose neišsisklaidys per galines groteles išeinantis oras. Šoniniai prietaiso skydai gali būti prie sienos - tai nesukels jokių eksploatacijos trikdžių.

Šis oro sausintuvas buvo pagamintas laikantis pačių griežčiausių saugos reikalavimų. Taip pat negalima į groteles ar į angą, kuri lieka atvira išėmus filtrą, kišti aštrių daiktų (atsuktuvų, virbalų ar pan.): tai kelia pavojų žmonėms ir gali pakenkti prietaisui.

Norėdami jį nuvalyti galite naudoti drėgną audinio skiautę, tačiau prieš tai būtinai atjunkite elektros tinklo maitinimą. Neuždenkite priekinių grotelių drabužiais ar kitais objektais, nes tai kenkia prietaisui ir yra pavojinga.

Periodiškai valykite filtrą: tai turi būti atliekama vidutiniškai kartą per mėnesį; prietaisą naudojant dulkečioje aplinkoje, jis turi būti valomas dažniau. Dėl valymo nurodymų žiūrėkite atitinkamą skyrių. Jei filtras nešvarus, išeina daug karštesnis oras, ir tai kenkia prietaisui bei trumpina jo eksploatacijos trukmę.

## ▶▶ 2. ORO SAUSINTUVO APRAŠYMAS

Visi nešiojamieji oro sausintuvai veikia šaldymo kompresoriaus ciklo principu. Prietaisai yra aprašyti žemiau.

## ▶▶ 3. ORO SAUSINTUVO SURINKIMAS

Šis modelis turi rankeną. Ši sudedamoji dalis yra oro sausintuvo pakuotėje. Norėdami sumontuoti rankeną, sekite šiuos nurodymus (Pav. 1-2):

- ▶ 3.1. Išsukite varžtus, laikančius struktūros dangtį (1);
- ▶ 3.2. Atsukite dangtį (2);
- ▶ 3.3. Išsukite keturis struktūros šonuose esančius varžtus: du kairėje pusėje ir du dešinėje (3);
- ▶ 3.4. Tinkamai įstatykite rankeną (4);
- ▶ 3.5. Vėl įsukite keturis varžtus struktūros šonuose: du kairėje ir du dešinėje pusėje (5);
- ▶ 3.6. Užsukite dangtį taip, kad jis būtų vertikaliajoje padėtyje (6);
- ▶ 3.7. Vėl įsukite struktūros dangtį laikančius varžtus (7).

## ▶▶ 4. VEIKIMAS

Šis sausintuvas turi šaldymo ciklą ir jo veikimas yra pagrįstas fizikiniu principu, todėl oras, pasiekęs šaltą paviršių, jį sudrėkina ir susidaro drėgmės lašai arba ledo kristalai, jei aplinkos temperatūra nėra labai aukšta.

Tiesiog šaldymo įrenginys išlaiko vėsų radiatorių, per kurį praeina taip atvėstantis ir aplinką sausinantis oras. Toliau oras praeina pro įkautusį šilumokaitį ir sušilęs, šiek tiek aukštesnės nei pradinė temperatūra, grįžta į aplinką, iš kurios buvo pašalinta drėgmė.

Schemos paaiškinimas (Pav. 3):

Oras įsiurbiamas per priekinę oro sausintuvo dalį: per filtrą (1), ventiliatorių (2), aušintuvą (garintuvą) (3), šilumokaitį (kondensatorių) (4) ir, galiausiai, nusausintas oras per galines groteles vėl grįžta į aplinką. Kondensacijos vanduo surenkamas bakelyje (5). Mikrojungiklis (6) sustabdo prietaisą, vandeniui bakelyje pasiekus tam tikrą lygį. Dėl drėgmės regulatoriaus (7) oro sausintuvas veikia ir tuomet, kai aplinkos drėgmė yra daug didesnė už norimą. Spausdintinė plokštė (8) valdo atitirpimą ir neleidžia per anksti įsijungti kompresoriui (9).

Šiuose oro sausintuvuose yra atitirpinimo karštomis dujomis įtaisas ir elektrinė karštų dujų šunto sklendė, speciali spausdintinė plokštė bei atitirpinimo termostatas. Mūsų gaminių atitirpinimo sistema pasižymi išskirtiniu veikimo principu: sistema su termostatu ir elektroniniu valdikliu karštų dujų šuntą naudoja tik tiksliai tam reikalingą laiką. Taip prailginamas oro sausintuvo eksploatacijos laikas bei sutrumpinama veikimo karštomis dujomis fazė.

## ▶▶ 5. VALDYMO PULTAS

Valdymo pultas (Pav. 4) yra galinėje oro sausintuvo dalyje ir jį sudaro:

- ▶ 5.1. DRĖGMĖS REGULIATORIUS (1): Drėgmės reguliatoriuje pavaizduota skalė nuo 1 iki 5. Nustačius drėgmės regulatoriaus mažiausią dydį (1), oro sausintuvas veiks, kol santykinė aplinkos drėgmė pasieks 80%. Nustačius didžiausią drėgmės regulatoriaus dydį (5), oro sausintuvas veiks, kol santykinė aplinkos drėgmė pasieks 20%. Nustačius padėtį „CONT“, oro sausintuvas veiks nepriklausomai nuo nustatytos drėgmės regulatoriaus vertės. Jei nustatyta padėtis „OFF“, oro sausintuvas yra išjungtas (vienpolis jungiklis).
- ▶ 5.2. LAIKMATIS (2): Laikmatis rodo oro sausintuvo veikimo valandų skaičių.
- ▶ 5.3. VENTILIACIJOS GREIČIO SELEKTORIUS (3): Ventilacijos greičio selektoriumi prietaise pagal poreikį galima nustatyti didžiausią arba vidutinį oro srautą.
- ▶ 5.4. AVARINĖ LEMPUTĖ (4): Avarinė lemputė įsijungia, kai standartinio modelio oro sausintuvo

bakelis yra pilnas arba yra užsikimšęs tiesioginis nuotėkio vamzdelis, arba tuo atveju, kai blogai veikia oro sausintuvo su pompa (pasirenkamasis) nuotėkio sistema. Lemputei įsijungus, oro sausintuvas nustoja veikti, taigi, norėdami jį įjungti, turite jį paleisti iš naujo.

- ▶ 5.5. NUOTOLINIO DRĖGMĖS REGULIATORIAUS LIZDO JUNGTI (5): Prijungę nuotolinį drėgmės reguliatorių prie lizdo, galite nuotoliniu būdu reguliuoti ir tikrinti norimą santykinę aplinkos drėgmę.
- ▶ 5.6. ĮTAMPOS KEITIMO JUNGIKLIS (6) (jei yra): Dvigubos įtampos (...DV) modeliuose galima nustatyti oro sausintuvo eksploatacinę įtampą, taip jį suderinant su elektros tinklo įtampa.

## ▶▶ 6. ĮJUNGIMAS

**SVARBU:** Dvigubos įtampos modeliuose (...DV) patikrinkite:

▶ 1-ĮTAMPOS KEITIMO JUNGIKLIO PADĖTĮ (220-240V / 110-120V) (Pav. 5); Jei nustatyta įtampa nesutampa su tinklo įtampa, būtina ją suderinti. Atsukite du dangtį laikančius varžtus (Pav. 6), nustatykite arba paspauskite pateiktos įtampos dydžio jungiklį (Pav. 7) ir vėl prisukite dangtį (Pav. 8).

▶ 2-PATIKRINKITE LIZDO KIŠTUKO TIPĄ; Jei kištuko tipas neatitinka elektros lizdo, reikia prijungti specialų siejklį.

**JEI ĮTAMPOS KEITIMO JUNGIKLIO PADĖTIS, KIŠTUKAS IR ELEKTROS LIZDAS SUTAMPA, GALIMA PRADĖTI PRIETAISO ĮJUNGIMO PROCEDŪRĄ.**

Norėdami paleisti oro sausintuvą, pirmiausia bent aštuonioms valandoms jį palikite vertikaliaje padėtyje (įprasta eksploatacinė padėtis). Jei nesilaikysite šio nurodymo, galite nepataisomai pažeisti oro sausintuvą.

- ▶ 6.1. Laikykitės visų saugos nurodymų;
  - ▶ 6.2. Maitinimo kištuką įjunkite į elektros tinklą (Pav. 9) (ĮTAMPOS DUOMENYS PATEIKTI „TECHNINIŲ DUOMENŲ LENTELĖJE“);
  - ▶ 6.3. Pasukite drėgmės reguliatorių (1 Pav. 4) ties norimos santykinės drėgmės dydžiu ir oro sausintuvas įsijungs automatiškai.
- „VENTILIACIJOS GREIČIO“ selektoriais (3 Pav. 4) prietaise pagal poreikį galima nustatyti didžiausią arba vidutinį oro srautą, taip užtikrinant maksimalų aplinkos komfortą.

## ▶▶ 7. IŠJUNGIMAS

Norint išjungti oro sausintuvą, reikia:

- ▶ 7.1. Pasukti drėgmės reguliatorių (1 Pav. 4) ties padėtimi „OFF“;
- ▶ 7.2. Išjungus oro sausintuvą, atjungti maitinimo jungtį nuo elektros tinklo (Pav. 10).

## ▶▶ 8. NUOTOLINIO DRĖGMĖS REGULIATORIAUS PRIJUNGIMAS

Modeliuose, kuriuose yra nuotolinis drėgmės reguliatorius (5 Pav. 4), nuimkite prie oro sausintuvo pritaisytą dangtelį ir prijunkite nuotolinį drėgmės reguliatorių (pasirenkamasis) (Pav. 11). Kad oro sausintuvas tinkamai veiktų, iki galo pasukite ant valdymo pulto esančio drėgmės reguliatoriaus (1 Pav. 4) rankenėlę ties „CONT“ ir nuotoliniame drėgmės reguliatoriuje nustatykite norimą drėgmę.

## ▶▶ 9. JEI ORO SAUSINTUVAS NEĮSIJUNGIA ARBA NESAUŠINA ORO

Jei „AVARINĖ LEMPUTĖ“ (4 Pav. 4) įsijungia, reiškia, kad vandens kaupimo bakelis yra pilnas ir (arba) blogai veikia pompa (pasirenkamasis), todėl pakanka ištuštinti bakelį ir (arba) atstatyti pradinę pompos padėtį. Jei taip problema neišsprendžiama, kreipkitės į įgalioją techninės pagalbos centrą.

## ▶▶ 10. PRIJUNGIMAS PRIE NUOTEKŲ VAMZDYNO

Šį oro sausintuvą galima prijungti tiesiai prie kanalizacijos vamzdžio.

▶ 10.1. JEI TURITE STANDARTINĮ ORO SAUSINTUVĄ SU BAKELIU: Bakelis turi jungtį, prie kurios galima prijungti 16mm vidinio skersmens vamzdį. Prieš prijungdami vamzdį, atsukite varžtą/ dangtelį (jei yra) (Pav. 12) ir, kad vėliau neužsikimštų, patikrinkite, ar jungtis yra švari.

▶ 10.2. JEI TURITE ORO SAUSINTUVĄ SU POMPA (PASIRENKAMASIS): Oro sausintuve galima įdiegti vandens šalinimo pompą (pasirenkamasis) (Pav. 13). Dėl jau įtaisytų elektros (speciali sąsaja) ir hidraulinių (jungtis galinėje dalyje, prie kurios galima prijungti 16 mm vidinio skersmens vamzdį) jungčių, prijungti šio tipo oro sausintuvą yra paprasta ir greitai. Prieš prijungdami vamzdį, atsukite varžtą/ dangtelį (jei yra) (Pav. 14) ir, kad vėliau neužsikimštų, patikrinkite, ar jungtis yra švari. VISOS DIEGIMO INSTRUKCIJOS IR DETALĖS PATEIKIAMOS POMPOS RINKINYJE.

## ▶▶ 11. PERIODINĖ PRIEŽIŪRA

Vienintelė periodiškai atliekama priežiūros operacija yra filtro valymas (Pav. 15). Išimkite filtrą iš priekinės oro sausintuvo dalies (Pav. 16) ir nuplaukite jį po tekančio vandens srove paprastoje plautuvėje. Tokią valymo procedūrą atlikite vidutiniškai kartą per mėnesį; jei prietaisas naudojamas dulkelioje aplinkoje, jis turi būti valomas dažniau.

Priklausomai nuo eksploatacijos, gali prireikti išvalyti ir radiatorius; tam naudokite žemo slėgio vandens srovę. Prieš atlikdami valymo procedūras, būtinai atjunkite elektros maitinimą (Pav. 10). Kad tinkamai atliktumėte valymo darbus, sekite šią procedūrą (Pav. 17-18):

- ▶ 11.1. Atsukite struktūros dangtį laikantį varžtą (1);
- ▶ 11.2. Atsukite dangtį (2);
- ▶ 11.3. Atsukite du varžtus ir nuimkite radiatoriaus apsaugą (3). (Radiatorių plaukite žemo slėgio vandens srove ir būkite atsargūs, kad nesušlapintumėte elektros skydo. VANDENS SROVĘ NUKREIPKITE IŠ VIRŠAUS Į APAČIA);
- ▶ 11.4. Vėl uždėkite apsaugą ir prisukite du varžtus (4);
- ▶ 11.5. Užsukite dangtį taip, kad jis būtų vertikaliaje padėtyje (5);
- ▶ 11.6. Vėl prisukite struktūros dangtį laikančius varžtus (6).

Prieš paleisdami oro sausintuvą, įsitinkite, kad elektrinės dalys nesušlapusios ir (arba) nesudrėkusios, ir palikite prietaisą normaliomis sąlygomis bent aštuonias valandas. Ši valymo procedūra gerina oro sausintuvo darbą ir užtikrina jo ilgą eksploataciją.

**IEKĀRTA IR AIZZĪMOGOTA UN SATUR FLUORĒTĀS SILTUMNĪCEFEKTA GĀZES, UZ KURĀM ATTIECAS KIOTO PROTOKOLS. „GWP” IR MINĒTA „TEHNISKO DATU” TABULĀ.**

**SVARĪGI: PIRMS JEBKURAS TEHNISKĀS APKOPES, TĪRĪŠANAS, REMONTA VAI CITĀ GADĪJUMĀ, VIENMĒR ATVIEŅOJIET KONTAKTDAKŠU NO TĪKLA. PIRMS MITRUMA REGULATORA PALAIŠANAS PĀRLIECINIETIES, VAI ELEKTRISKĀS DAĻAS NAV SLAPJAS UN/VAI MITRAS.**

## ►► 1. DROŠĪBAS INFORMĀCIJA

Mitruma regulatoram vienmēr jābūt pieslēgtam iezemētai kontaktligzdai. Šo noteikumu neievērošana, arī attiecībā uz visām elektroierīcēm, rada draudus ar sekām, par kurām ražotājs neuzņemas nekādu atbildību.

Iekārtas demontāža jāuztic tikai kvalificētiem speciālistiem.

Ja iekārta ir pievienota elektriskajam tīklam, tā jātur vertikāli un to nedrīkst pārvietot, pielietojot spēku. Iespējama ūdens noplūde no tvertnes un nonākšana saskare ar elektriskām daļām, ar acīmredzamām bīstamības sekām. Tādēļ ir svarīgi atvienot kontaktdakšu, pirms mitruma regulatora pārvietošanas un tvertnes iztukšošanas pirms celšanas.

Ja ūdens izplatās strauju kustību dēļ, mitruma regulators jāpatur vertikālā stāvoklī vismaz astoņas stundas pirms nodošanas ekspluatācijā.

Šis mitruma regulators iesūc gaisu priekšdaļā un izvada caur aizmugurējo resti, tātad priekšējā panelim ar gaisa filtru jābūt vismaz 15cm attālumā no sienām.

Turklāt, iekārtu nedrīkst darbināt ierobežotās telpās, kur traucēta gaisa, kas iziet caur aizmugurējo resti, difūzija. Ir iespējams pievienot sienām sānu paneļus, neradot grūtības regulārai iekārtas darbībai.

Šis mitruma regulators ir izstrādāts saskaņā ar visstingrākajiem drošības standartiem. Nedrīkst ievietot asus priekšmetus (skrūvgriežus, adāmadatas vai tamlīdzīgus) režģī vai atverē, kad priekšējā panelī atrodas filtrs: tas ir bīstami cilvēkiem un var sabojāt iekārtu.

Pēc iekārtas kontaktdakšas atvienošanas no tīkla strāvas ārējai tīrīšanai varat izmantot slapju lupatiņu. Nepārkļāviet priekšējās restes ar drānu vai citu priekšmetu, ierīces bojājums var radīt briesmas.

Regulāri tīriet filtru: tīrīšana jāveic vidēji katru mēnesi; Ja iekārtu izmanto Koti puteklainā vidē, filtrs būtu jātīra biežāk. Tīrīšanas nosacījumus skatiet atbilstošā Sadamā. Ja filtrs ir netīrs, gaiss izdalās karstāks par normālo, bojājot iekārtu un pasliktinot rezultātu.

## ►► 2. MITRUMA REGULATORA APRAKSTS

Visi pārnēsājami mitruma regulatori izmanto aukstumaģenta kompresora ciklu. Iekārtas ir aprakstītas turpinājumā.

## ►► 3. MITRUMA REGULATORA MONTĀPA

Šis modelis ir aprīkots ar rokturi. Šis komponents ir ielikts mitruma regulatora iepakojumā. Lai instalētu rokturi, rīkojieties šādi (Zīm. 1-2):

- 3.1. Izskrūvējiet skrūvi, kas piestiprina pārsega rāmi (1);
- 3.2. Pagrieziet pārsegu (2);
- 3.3. Izskrūvējiet četras skrūves, kas atrodas uz sānu rāmjiem, pa divām kreisajā pusē un pa divām labajā pusē (3);
- 3.4. Novietojiet rokturi pareizā pozīcijā (4);
- 3.5. Leskrūvējiet atpakaļ četras skrūves, kas paredzētas rāmja abās pusēs, divas kreisajā pusē un divas labajā pusē (5);
- 3.6. Pagrieziet pārsegu, lai atgrieztu to vertikālā stāvoklī (6);
- 3.7. Leskrūvējiet atpakaļ skrūvi, kas piestiprina pārsega rāmi (7).

## ►► 4. DARBĪBA

Šis mitruma regulators ir aprīkots ar aukstumaģentu, kura darbības pamatā ir fizikas princips, ka gaisam saskaroties ar aukstām virsmām, mitrums kondensējas ledus vai pilienu formā, ja apkārtējās vides temperatūra nav augsta. Praksē dzesēšanas agregātam ir spole, caur kuru vadītais gaiss tiek atdzesēts un no tā tiek aizvadīts mitrums. Pēc tam gaiss iet caur siltummaiņi, uzkarst un atgriežas ar aizvadītu mitrumu un temperatūru, kas ir nedaudz augstāka nekā sākuma punktā.

Attiecas uz zīmējumu (Zīm. 3):

Gaisu iesūc mitruma regulatora priekšpusē caur filtru (1), ventilatoru (2), auksto siltummaiņi (iztvaicētāju) (3), siltummaiņi (kondensatoru) (4) un visbeidzot gaiss ar aizvadīto mitrumu nonāk apkārtējā vidē un izdalās caur aizmugurējo resti. Kondensētais ūdens tiek savākts ūdens tvertnē (5). Mikroslēdzis (6) pārtrauc iekārtas darbību, kad ūdens tvertnē sasniedz noteiktu līmeni. Higrostats (7) palaiž mitruma regulatoru, ja apkārtējās vides gaisa mitrums ir lielāks par vēlamo līmeni. Elektroniskā plate (8) pārvalda atkausēšanu un novērš kaitīgo kompresora izslēgšanos (9) ar aizkavētu palaišanu.

Šie mitruma regulatori ir aprīkoti ar karstās gāzes atkausēšanas ierīci, tādēļ ir aprīkoti ar elektromagnēta ventili karstās gāzes apvadā, īpašo elektronisko plati un atkausēšanas termostatu.

Atkausēšanas sistēma ir tikai no mūsu produkcijas: praktiski sistēma ar termostatu un elektronisku vadāmierīci, kas izmanto karstu gāzu apvadus tikai uz absolūti nepieciešamo laiku. Samazinot ekspluatācijas fāzi ar karsto gāzi, tiek pagarināts mitruma regulatora kalpošanas laiks.

## ►► 5. VADĪBAS PANELIS

Vadības panelis (Zīm. 4) atrodas mitruma regulatora aizmugurē un ietver:

- 5.1. HIGROSTATS (1): Higrostatam ir gradācijas skala no 1 līdz 5. Higrostatā iestatīšana uz minimālo vērtību (1) nozīmē, ka mitruma regulators darbosies līdz telpā tiks sasniegts 80% relatīvais mitrums. Higrostatā iestatīšana uz maksimālo vērtību (5) nozīmē, ka mitruma regulators darbosies līdz telpā tiks sasniegts 20% relatīvais mitrums. Stāvoklī „TURPIN” mitruma regulators vienmēr darbojas neatkarīgi no relatīvā mitruma vērtības. Stāvoklī „IZSL” mitruma regulators nestartējas vispār (vienpolārais slēdzis).
- 5.2. STUNDU SKAITĪTĀJS (2): Stundu skaitītājs norāda mitruma regulatora darba stundu skaitu.



- ▶ 5.3. VENTILATORA ĀTRUMA SELEKTORS (3): Ventilatora ātruma selektors darboties mitruma regulatoram pie maksimālas gaisa plūsmas vai starpposma gaisa plūsmas, atkarībā no vajadzības.
- ▶ 5.4. TRAUKSMES SIGNĀLA INDIKATORS (4): Mitruma regulatora ar tvertni trauksmes signāla indikators iedegas standarta gadījumā, kad tvertne ir pilna vai tiešā drenāža ir aizsērējusi vai, ja mitruma regulatoram ar sūkni (papildaprīkojums) ir darbības traucējumi izplūdes sistēmā. Kad iedegas indikators, mitruma regulators nedarbojas, izremontējiet iekārtu, restartējiet to.
- ▶ 5.5. TĀLVADĪBAS HIGROSTATS (5): Savieno tālvadības higrostatu ar ligzdu, varat pārvaldīt un kontrolēt no attāluma relatīvo mitrumu, kuru vēlaties telpā.
- ▶ 5.6. SPRIEGUMA MAIŌAS SLĒDZIS (6) (ja tāds ir): Duālā sprieguma modeļiem (...DV), var iestatīt mitruma regulatora darbības spriegumu, pielāgojot piegādāto elektrotīkla spriegums.

## ▶▶ 6. AIZDEDZE

**Svarīgi: Modeļiem ar duālo spriegumu (...DV), pārbaudiet:**

- ▶ 1-SPRIEGUMA MAIŌAS PĀRSLĒDZĒJA STĀVOKLIS (220-240V / 110-120V) (Zīm. 5); Ja sprieguma kopas nav līdzvērtīgas tām, ko nodrošina tīkls, ir nepieciešams pielāgot spriegumu. Izskrūvējiet divas vāka stiprinājuma skrūves (Zīm. 6) pārvietojiet/nospiediet slēdzi uz piegādātā sprieguma vērtību (Zīm. 7) un uzlieciet vāku (Zīm. 8).
- ▶ 2-PĀRBAUDĪT LIGZDAS VEIDU; Ja ligzdas veids neatbilst elektroenerģijas padeves īpašībām vai tai ir jāatbilst, izmantojot noteiktu adapterim.

**JĀ SPRIEGUMA MAIŌAS SLĒDŽA STĀVOKLIS MAINĀS. LIGZDAS VEIDS UN STRĀVAS PADEVE IR KONSEKVENTI. IR IESPĒJAMS TURPINĀT DARBU AR STRĀVAS PADEVES SECĪBU.**

Lai sāktu darbināt mitruma regulatoru, tas jāatstāj vertikālā stāvoklī (parasti) vismaz astoņas stundas. Šo noteikumu neievērošanu var izraisīt neatgriezenisku kaitējumu mitruma regulatoram.

- ▶ 6.1. Izpildiet visas drošības instrukcijas;
  - ▶ 6.2. Pievienojiet kontaktdakšu strāvai (Zīm. 9) (SKATĪET SPRIEDZI „TEHNISKO DATU TABULĀ”);
  - ▶ 6.3. Pagrieziet higrostatu (1 Zīm. 4) uz vēlamo relatīvo mitruma vērtību, mitruma regulators sāks darbību automātiski.
- Pateicoties selektoram “VENTILATORA ĀTRUMS” (3 Zīm. 4), mitruma regulators var darboties pie maksimālas gaisa plūsmas vai starpposma gaisa plūsmas, atkarībā no vajadzības tā, lai telpā iegūtu maksimālu komfortu.

## ▶▶ 7. IZSLĒGŠANA

Lai izslēgtu mitruma regulatoru, jāveic šādas darbības:

- ▶ 7.1. Pagrieziet higrostatu (1 Zīm. 4) uz “IZSL”;
- ▶ 7.2. Atvienojiet kontaktdakšu no strāvas padeves, lai izslēgtu mitruma regulatoru (Zīm. 10).

## ▶▶ 8. MITRUMA REGULATORA IESLĒGŠANA NO ATTĀLUMA

Modeļiem ar tālvadības higrostatu (5 Zīm. 4), izņemiet aizbāzni, kas savienots ar mitruma regulatoru un izveidojiet savienojumu ar tālvadības higrostatu (papildaprīkojums) (Zīm. 11). Pareizai mitruma regulatora darbībai pilnīgi

pagrieziet higrostatam rokturi, kas novietots uz vadības paneļa (1 Zīm. 4), uz „TURPIN”, un uz tālvadības higrostatam iestatiet vajadzīgo mitruma pakāpi.

## ▶▶ 9. JA MITRUMA REGULATORS NESĀK DARBĪBU VAI NEAIZVADA MITRUMU

„TRAUKSMES SIGNĀLA INDIKATORS” (4 Zīm. 4) iedegas, tas nozīmē, ka reģenerācijas ūdens tvertne ir pilna, un/vai ir sūkņa (papildaprīkojums) darbības traucējumi, vienkārši iztukšojiet tvertni un/vai atkārtoti palaidiet sūkni. Ja šī problēma atkārtojas, sazinieties ar tehniskā servisa centru.

## ▶▶ 10. SAVIENOJUMS AR IZPLŪDES CAURULI

Šis mitruma regulators paredz iespēja savienot iekārtu tieši ar fiksētu drenāžas līniju.

▶ 10.1. STANDARTA GADĪJUMĀ MITRUMA REGULATORS AR TVERTNI: Tvertnei ir savienotājs, kas var pievienot caurules ar iekšējo diametru 16mm. Pirms caurules savienojuma izveides, izņemiet skrūvi/ aizbāzni (ja tāds ir) (Zīm. 12) un pārbaudiet savienojuma tīrību, lai novērstu iespējamo aizsērēšanu.

▶ 10.2. MITRUMA REGULATORS AR SŪKNI (PAPILDPRĪKOJUMS): Jūs varat uzstādīt sūkni (papildaprīkojums) ūdens novadīšanai no mitruma regulatora (Zīm. 13). Savienojums ir viegli un tūlītīgi izveidojams, pateicoties dielektriskai (īpašs savienotājs) un hidrauliskai uzņēmībai (savienojums pozicionēts aizmugurējā daļā, kam var pievienot caurules ar iekšējo diametru 16mm). Pirms caurules savienojuma izveides izņemiet skrūvi/aizbāzni (ja tāds ir) (Zīm. 14) un pārbaudiet savienojuma tīrību, lai novērstu iespējamo aizsērēšanu. VISAS INSTRUKCIJAS UN INSTALĒŠANAS INFORMĀCIJA PIEVIENOTA SŪKŌA KOMPLEKTĀ.

## ▶▶ 11. PERIODISKA TEHNISKĀ APKOPE

Tikai filtram nepieciešama periodiska tīrīšana (Zīm. 15). Tīrīšana jāveic, noņemot filtru mitruma regulatora priekšpusē (Zīm. 16) un novietojot to zem normālas izlietnes ūdens plūsmas. Jāveic vidēji katru mēnesi; ja izmanto ļoti putekļainā vidē, būtu jātīra biežāk.

Atkarībā no izmantošanas jums var būt nepieciešams tīrīt spoli ar zema spiediena ūdeni. Pirms mazgāšanas ir absolūti nepieciešams atvienot kontaktdakšu no barošanas avota (Zīm. 10). Lai veiktu pareizu mazgāšanu rīkojieties šādi (Zīm. 17-18):

- ▶ 11.1. Izskrūvējiet skrūvi, kas piestiprina pārsega rāmi (1);
- ▶ 11.2. Pagrieziet vāciņu (2);
- ▶ 11.3. Izskrūvējiet divas skrūves un noņemiet aizsardzību no spoles (3). (Nomazgājiet ar zema spiediena ūdeni, uzmanoties, lai nesaslapinātu elektropaneli. ŪDENS PLŪSMA IR JĀBŪT TIKAI NO AUGŠAS UZ APAKŠU);
- ▶ 11.4. Uzlieciet atpakaļ aizsardzību un ieskrūvējiet atpakaļ divas skrūves (4);
- ▶ 11.5. Pagrieziet pārsegu, lai atgrieztu to vertikālā stāvoklī (5);
- ▶ 11.6. Ieskrūvējiet atpakaļ skrūvi, kas nostiprina pārsega rāmi (6).

Pirms mitruma regulatora palaišanas pārliecinieties, vai elektriskās daļas nav slapjas un/vai mitras, normālos apstākļos ir jāpaiet vismaz astoņām stundām. Šis tīrīšanas uzlabo mitruma regulatora veiktspēju un nodrošina ilgu kalpošanas laiku.

**APARAAT ON SULETUD JA SISALDAB KYOTO PROTOKOLLIGA KONTROLLITUD KASVUHOONEGAASE TEKITAVAD FLOORIGA GAASE. "GWP" (globaalset soojenemist põhjustav potentsiaal) ON KIRJELDATUD "TEHNILISTE ANDMETE TABELIS".**

**TÄHTIS: ÜHENDAGE SEADE ENNE HOOLDUST, PUHASTAMIST, PARANDAMIST VÕI MUID TÖID VOOLUVÕRGUST VÄLJA. ENNE ÕHUKUIVATI UUESTI KÄIVITAMIST KONTROLLIGE, ET ELEKTRILISED OSAD EI OLEKS NIISKED / VEDELIKUGA KOKKU PUUTUNUD.**

## ►► 1. OHUTUSJUHISED

Õhukuivatit tohib ühendada ainult maandusega elektripistikusse. Selle nõude eiramine, nagu kõigi elektriliste seadmete puhul, on ohuallikas, mille võimalike tagajärgede eest tootja ei vastuta. Aparaatit tohib demonteerida ainult selleks kvalifitseeritud tehnik.

Vooluvõrku ühendatuna peab seade olema vertikaalses asendis ning seda ei tohi järsult liigutada. Kanistrist välja pääsev vesi võib kokku puutuda elektriliste osadega ning seetõttu olla ohtlik. Seepärast peab enne õhukuivati liigutamist kindlasti seadme vooluvõrgust välja võtma ning tühjemada kanistri.

Kui järsu liigutamise tõttu on vesi valgunud laiali, siis peab õhukuivati vähemalt 8 tundi olema paigal vertikaalses asendis enne, kui selle võib uuesti sisse lülitada.

Õhukuivati imab õhku sisse eest ning puhub välja tagant läbi võre, seepärast peab tagumine paneel, mis on varustatud õhufiltriga, olema paigaldatud vähemalt 15 sentimeetri kaugusele seinast.

Lisaks ei tohi aparaatit kasutada kitsastes kohtades, kus ei ole võimalik laiali juhtida õhku, mis väljub tagumisest võrest. Seevastu on võimalik kinnitada seadme külgsuunalised seinte külge ilma, et sealjuures tekiks probleeme masina kasutamisel.

Õhukuivati on koostatud kõige rangemate ohutusnõuete järgi. Filtri eemaldamise ajal ei tohi võre ega tagumise paneeli sisse asetada teravaid esemeid (kruvikeerajaid, kudumisvardaid vms), sest see põhjustab ohtu inimestele ning võib aparaatit kahjustada.

Seadme väliskülgede puhastamiseks võib pärast selle vooluvõrgust eemaldamist kasutada niisket lappi. Seadme kahjustamise ja sellega kaasnevate ohtude vältimiseks ei tohi katta selle eesmist võret lappide või muude esemetega.

Filtrit tuleb regulaarselt puhastada: seda vähemalt kord kuus, kui seadet kasutatakse tolmurohkes keskkonnas, siis tihedamini. Puhastamise kohta lugege lähemalt vastavast peatükist. Must filter põhjustab väljuva õhu soojenemist rohkem kui tavaliselt ning võib kahjustada seadet ning vähendada selle kasutusiga.

## ►► 2. ÕHUKUIVATI KIRJELDUS

Kõik kaasaskantavad õhukuivatid kasutavad kompressoriga jahutajat. Allpool on seadmeid kirjeldatud.

## ►► 3. ÕHUKUIVATI KOKKUPANEMINE

Mudel on varustatud käepidemega. See tarvik on õhukuivati pakendiga kaasas. Käepideme paigaldamiseks käituge järgnevalt (Joon. 1-2):

- 3.1. Eemaldage kruvid, mis kinnitavad katte struktuuri külge (1);
- 3.2. Keerake katet (2);
- 3.3. Eemaldage struktuuri külgedelt neli kruvi — kaks vasakult ja kaks paremalt (3);
- 3.4. Asetage käepide oma kohale (4);
- 3.5. Paigaldage uuesti neli kruvi struktuuri külgedel, kaks vasakul ja kaks paremal (5);
- 3.6. Keerake katet nii, et see jääks vertikaalsesse asendisse (6);
- 3.7. Paigaldage uuesti kruvid, mis kinnitavad katte struktuuri külge (7).

## ►► 4. TÖÖTAMINE

Tegemist on jahutava tsükliga õhukuivatiga, mille töö põhineb, kus niiske õhk puutub kokku jaheda pinnaga, mille pind kattub kondensveega või külmub, kui õhutemperatuur ei ole piisavalt kõrge.

Masinat varustab jaheda õhuga ventilaator, mis tõmbab jahedat õhku, millega siseõhku kuivatatakse. Järgmiseks juhitakse õhk läbi soojavaheti, õhk soojeneb uuesti ning naaseb kuivana keskkonda, omandades sealjuures veidi kõrgema temperatuuri.

Vaata joonist (Joon. 3):

Õhk tõmmatakse sisse õhukuivati eesmisest osast: läbi filtri (1), ventilaatori (2), külmavaheti (3), soojavaheti (kondenseerija) (4) ja lõpuks väljub kuivatatud õhk, mis suundub tagasi keskkonda läbi tagumise võre. Kondenseerunud vesi kogutakse kanistrisse (5). Kui vesi paagis jõuab teatava tasemeni, siis peatab mikrolüliti (6) seadme töö. Tänu niiskusemõõtjale (7) töötab õhukuivati ainult õhuniiskuse korral, mis ületab eelprogrammeeritud. Elektrooniline skeem (8) kontrollib jäite tekkimist ning takistab kompressori (9) kahjustavat käivitumist viivitades selle käivitumiseega.

Õhukuivatid on varustatud soojal gaasil töötava jahutusmasinaga, bypass solenoidiga ja elektroonilise skeemiga, mis kontrollib jahutuse termomeetrit.

Jahutusüsteem on meie seadmetel eksklusiivne: praktiliselt on tegu elektrooniliselt kontrollitud termostaadiga, mis kasutab sooja gaasi bypassi ainult vajalikul temperatuuril. Sooja gaasiga töötamise lühendamise pikendab õhukuivati kasulikkust kasutusiga.

## ►► 5. JUHTPANEEL

Juhtpaneel (Joon. 4) asub õhukuivati tagumisel poolel ning koosneb:

- 5.1. NIISKUSMÕÕTJAST (1): Niiskusandur on gradueeritud vahemikus 1 kuni 5. Niiskusanduri seadistamine madalaimale väärtusele (1) tähendab töörežiimi seadistamist 80% suhtelise õhuniiskuse saavutamisele. Niiskusanduri seadistamine kõrgeimale väärtusele (5) tähendab töörežiimi seadistamist 20% suhtelise õhuniiskuse saavutamisele. Asendis "CONT" töötab kuivati pidevalt, hoolimata suhtelisest õhuniiskusest. Asendis "OFF" õhukuivati ei käivitu (ühepoolne katkestuslülit).)

- ▶ 5.2.TUNNILOENDUR (2): Tunniloendur mõõdab õhukuivati töötunde.
- ▶ 5.3.VENTILATSIOONI KIIRUSELÜLITI (3): Ventilatsiooni kiiruselülitiga on võimalik seada õhukuivati vastavalt vajadusele töötama täiel võimsusel või poolel võimsusel.
- ▶ 5.4.ALARMTULI (4): Alarmtuli süttib tavaliselt siis, kui õhukuivati paak on täis või otsene väljavool ummistunud või siis, kui pumbaga (lisavarustuses) õhukuivati väljavoolusüsteem ei tööta. Kui alarmtuli süttib, siis õhukuivati lõpetab töötamise, seadme taaskäivitamiseks tuleb see ennistada.
- ▶ 5.5.KAUGMÕÕDETAVA NIISKUSANDURI PESA (5): Kui ühendate kaugmõõdetava niiskusanduri pesa, siis on võimalik kaugjuhtimise teel kontrollida keskkonna soovitud suhtelist õhuniiskust.
- ▶ 5.6.PINGE VAHETAMISE LÜLITI (6) (kui on olemas): Kahe pingega mudelitel (...DV) on võimalik seadistada õhukuivati toitepinge vastavalt elektrivõrgus pakutavale voolupingele.

## ▶▶ 6. KÄIVITAMINE

**TÄHTIS:** Kahe pingega mudelitel (...DV) kontrollige:  
 ▶ 1-PINGE VAHETAMISE LÜLITI ASENDIT (220-240V / 110-120V) (Joon. 5); Kui valitud toitepinge ei vasta elektrivõrgus pakutavale, siis tuleb esmalt valida sobiv toitepinge. Eemaldage korpusest kaks kruvi (Joon. 6), liigutage/vajutage toitepinge lüliti (Joon. 7) ja monteeri uuesti korpus (Joon. 8).  
 ▶ 2-KONTROLLIGE PISTIKU KUJU; Kui pistiku kuju ei vasta olemasolevale süsteemile, siis tuleb kasutusele võtta adapter.  
**ALLES SIIS, KUI TOITEPINGE, PISTIKU KUJU JA ELEKTRITOIDE ON KÕIK VASTAVAD, ON VÕIMALIK ALUSTADA SEADME KÄIVITAMISEGA.**

Käivitamiseks peab õhukuivati olema vertikaalses asendis (tavaline kasutusasend) vähemalt 8 tundi. Selle nõude eiramine võib õhukuivatile põhjustada pöördumatuid kahjustusi.

- ▶ 6.1.Järgige kõiki ohutusnõudeid;
  - ▶ 6.2.Ühendage seade elektrivõrku (Joon. 8) (VAATA "TEHNILISTE ANDMETE TABELIST" TOITEPINGE);
  - ▶ 6.3.Keerake niiskusandur (1 Joon. 4) soovitud suhtelise õhuniiskuse tasemele ning õhukuivati alustab automaatselt tööd.
- Tänu lülile "VENTILATSIOONI KIIRUS" (3 Joon. 4) on võimalik seada õhukuivati tööle vastavalt vajadusele maksimaalsel võimsusel või keskmisel võimsusel, tagades nii keskkonna maksimaalse mugavuse.

## ▶▶ 7. VÄLJALÜLITAMINE

Õhukuivati välja lülitamiseks:

- ▶ 7.1.Keerake niiskusandur (1 Joon. 4) asendisse "OFF";
- ▶ 7.2.Võtke väljalülitatud õhukuivati vooluvõrgust välja (Joon. 10).

## ▶▶ 8. KAUGMÕÕDETAVA NIISKUSANDURI ÜHENDAMINE

Mudelitel, millel on kaugmõõdetav niiskusandur (5 Joon. 4), eemaldage õhukuivatile kinnitatud kork ja ühendage kaugmõõdetav niiskusandur (lisavarustuses) (Joon. 11). Õhukuivati nõuetekohaseks kasutamiseks pöörake juhtpaneelil asuvat niiskusanduri käepidet (1

Joon. 4) "CONT" suunas ja sisestage kaugmõõdetaval niiskusanduril soovitud õhuniiskus.

## ▶▶ 9. KUI ÕHUKUIVATI KÄIVITUB, KUID EI KUIVATA

Kui MÄRGUTULI (4 Joon. 4) süttib, siis tähendab see, et veepaak on täis ja/või on tegu veepumba (lisavarustuses) rikkega, piisab kui tühjendate paagi ja/või taaskäivitade pumba. Kui probleem ei kao, siis pöörduge autoriseeritud tehnilise toe keskuse poole.

## ▶▶ 10. VÄLJAVOOLUTORUDEGA ÜHENDAMINE

Õhukuivatit on võimalik ühendada püsiva väljavoolutorude süsteemiga.

- ▶ 10.1.TAVALISE PAAGIGA ÕHUKUIVATIL: Paagis on ühendus, mille külge on võimalik ühendada 16-millimeetrise sisemise diameetriga toru. Enne toru kinnitamist eemaldage kruvid/kork (kui on paigaldatud) (Joon. 12) ja puhastage ühendus, et vältida võimalikke takistusi.
- ▶ 10.2.PUMBAGA ÕHUKUIVATI (LISAVARUSTUSES): Õhukuivati veeväljavoolu külge on võimalik ühendada pump (lisavarustuses) (Joon. 13). Ühendus on lihtne ja hõlbus, seda tänu elektrilisele ettevalmistusel (eriline pistik) ja hüdraulikale (ühendus asub tagumises osas ja selle külge on võimalik kinnitada 16-millimeetrise sisediameetriga toru). (Joon. 14) ja puhastage ühendus, et vältida võimalikke takistusi. KÕIK PAIGALDUSEGA SEOTUD DETAILID JA JUHISED ON PUMBAGA KAASAS.

## ▶▶ 11. REGULAARNE HOOLDUS

Ainus regulaarne hooldus, mida tuleb teha, on filtri puhastamine (Joon. 15). Puhastamiseks tuleb eemaldada filter õhukuivati eesmisest osast (Joon. 16) ja asetada see tavalisse kraanikaussi veejoa alla. Filtrit tuleb vähemalt kord kuus puhastada, kui seadet kasutatakse tolmurohkes keskkonnas, siis tihedamini. Vastavalt kasutusele võib osutada vajalikuks puhastada ka ventilaatorit, selleks kasutage madala survega vett. Enne pesemist võtke elektripistik vooluvõrgust välja (Joon. 10). Nõuetekohaseks pesemiseks käituge järgnevalt (Joon. 17-18):

- ▶ 11.1.Eemaldage kruvid, mis kinnitavad katte struktuuri külge (1);
- ▶ 11.2.Keerake katet (2);
- ▶ 11.3.Eemaldage kaks kruvi ja ventilaatori korpus (3). (Peske ventilaatorit madalasurevelise veega, olge ettevaatlikud, et elektriskeem ei saaks märjaks. VEEVOOL PEAB SUUNDUMA ÜLALT ALLA);
- ▶ 11.4.Paigaldage korpuse tagasi ja kinnitage kaks kruvi (4);
- ▶ 11.5.Keerake katet nii, et see jääks vertikaalsesse asendisse (5);
- ▶ 11.6. Paigaldage uuesti kruvid, mis kinnitavad katte struktuuri külge (6).

Enne õhukuivati uuesti käivitamist kontrollige, et elektrilised osad ei oleks niisked/vettinud, tavaliselt tuleb oodata vähemalt 8 tundi. Puhastamine parandab õhukuivati töötulemusi ning pikendab kasulikku kasutusiga.



**APARATUL ESTE SIGILAT ȘI CONȚINE GAZE FLUORURATE CU EFECT DE SERĂ DISCIPLINATE DE PROTOCOLUL DIN KYOTO. "GWP" ESTE PREZENTAT ÎN "TABELUL CU DATE TEHNICE".**

**IMPORTANT: ÎNAINTE DE EFECTUAREA UNEI OPERAȚIUNI DE ÎNTREȚINERE, CURĂȚARE, REPARAȚIE SAU ALTELE, DECONECTAȚI ÎNTOTDEAUNA ȘTECHERUL DE ALIMENTARE DE LA SURSA DE ALIMENTARE CU ENERGIE ELECTRICĂ. ÎNAINTE DE A REPORNI DEZUMIDIFICATORUL ȘI ASIGURAȚI-VĂ CA PĂRȚILE ELECTRICE SĂ NU FIE UMEDE ȘI/SAU UDE.**

### ▶▶1. AVERTISMENTE DE SIGURANȚĂ

Dezumidificatorul trebuie să fie întotdeauna conectat la prize de curent prevăzute cu împământare. Nerespectarea acestei norme, valabilă pentru toate aparatele electrice, reprezintă sursă de pericol pentru a căror consecințe producătorul nu își asumă nicio răspundere.

Demontarea aparatului trebuie să fie efectuată exclusiv de un tehnician calificat.

Atunci când aparatul este conectat la o priză electrică trebuie menținut în poziție verticală și nu trebuie manipulat violent. Apa care este posibil să iasă din rezervor poate intra în contact cu părțile electrice, fapt ce reprezintă un pericol evident. Așadar, este obligatorie decuplarea ștecherului înainte de a muta dezumidificatorul și golirea recipientului înainte de a-l ridica.

În cazul în care apar scurgeri de apă ca urmare a unor mișcări bruște, dezumidificatorul trebuie să rămână în poziție fermă verticală timp de cel puțin opt ore înainte de a-l pune în funcțiune din nou.

Acest dezumidificator aspiră aerul prin partea anterioară și îl evacuează prin intermediul grilajului posterior; așadar panoul anterior prevăzut cu filtru de aer, trebuie să fie menținut la o distanță de cel puțin cincisprezece cm față de pereți.

De asemenea, aparatul nu trebuie pus în funcțiune în spații înguste care nu permit circulația aerului evacuat prin grilajul posterior. În schimb panourile laterale se pot sprijini de pereți fără a crea dificultăți de funcționare.

Acest dezumidificator a fost fabricat conform celor mai stricte norme de siguranță. Nu introduceți obiecte ascuțite (șurubelnițe, ace de tricotate sau similare) în grilaj sau în deschizătura care rămâne descoperită pe panoul frontal atunci când scoateți filtrul: este periculos pentru persoanele implicate și poate duce la deteriorarea aparatului.

Pentru curățarea exteriorului deconectați cablul de alimentare de la sursa de alimentare cu energie electrică și utilizați un material textil umed. Nu acoperiți grilajul frontal cu materiale textile sau cu alte obiecte, aparatul poate fi deteriorat și poate reprezenta o sursă de pericol. Curățați filtrul cu regularitate: curățarea se va efectua în medie în fiecare lună; în caz de utilizare în medii cu mult praf curățarea se va face la intervale mai scurte. Pentru informații privind modalitățile de curățare, consultați capitolul corespunzător. Atunci când filtrul este murdar aerul evacuat este mai cald decât în mod normal, fapt ce duce la deteriorarea aparatului și reducerea performanțelor acestuia.

### ▶▶2. DESCRIEREA DEZUMIDIFICATORULUI

Toate dezumidificatoarele portabile utilizează ciclul de răcire cu compresor. Aparatele sunt descrise mai jos.

### ▶▶3. ASAMBLAREA DEZUMIDIFICATORULUI

Acest model este echipat cu un mâner. Această componentă se află în interiorul ambalajului dezumidificatorului. Pentru a instala mânerul urmați pașii de mai jos (Fig. 1-2):

- ▶ 3.1. Scoateți șurubul care fixează capacul pe dezumidificator (1);
- ▶ 3.2. Rotiți capacul (2);
- ▶ 3.3. Scoateți cele patru șuruburi situate pe părțile laterale ale aparatului, două pe partea stângă și două pe partea dreaptă (3);
- ▶ 3.4. Puneți mânerul în poziția corectă (4);
- ▶ 3.5. Montați la loc cele patru șuruburi situate pe părțile laterale ale structurii, două pe partea stângă și două pe partea dreaptă (5);
- ▶ 3.6. Rotiți capacul pentru a-l aduce înapoi în poziție verticală (6);
- ▶ 3.7. Montați la loc șurubul care fixează capacul pe dezumidificator (7).

### ▶▶4. MODUL DE FUNCȚIONARE

Acest dezumidificator este un aparat cu ciclul de răcire. Funcționarea acestuia se bazează pe principiul fizic conform căruia atunci când aerul intră în contact cu o suprafață rece, acesta o udă și eliberează umiditate sub formă de picături de condens sau gheață, atunci când temperatura mediului nu este ridicată.

Practic, bateria cu aripioare este menținută rece de un aparat de răcire. Aerul care trece prin baterie este răcit și dezumidificat. După aceasta, aerul trece printr-un schimbător de căldură unde este încălzit. În final, aerul este evacuat în încăperea dezumidificată și la o temperatură puțin mai mare decât cea inițială.

Referință la desen (Fig. 3):

Aerul este aspirat prin partea anterioară a dezumidificatorului: trece prin filtru (1), prin ventilator (2), prin schimbătorul rece (evaporator) (3), schimbătorul de căldură (condensator) (4) iar, în final aerul dezumidificat este evacuat și recirculat în încăperea prin intermediul grilajului posterior. Apa condensată este colectată în rezervor (5). Microîntrerupătorul (6) oprește unitatea atunci când apa din rezervor atinge un anumit nivel. Umidostatul (7) permite funcționarea dezumidificatorului atunci când nivelul umidității din mediu este mai mare decât cel dorit. Placa electronică prevăzută (8) gestionează ciclul de dezghețare și previne pornirea compresorului (9) la intervale prea scurte deoarece acest lucru poate deteriora aparatul; pentru a preveni acest lucru, placa electronică întârzie pornirea acestuia.

Aceste aparate sunt prevăzute cu un dispozitiv de dezghețare cu aer cald, mai exact cu o electrovalvă de derivație pentru gazul cald, o placă electronică specială și un termostat de control al dezghețării.

Modul de funcționare al sistemului de dezghețare este o caracteristică exclusivă a produselor societății noastre: în practică, sistemul prevăzut cu termostat și dispozitiv de control electronic comandă derivația gazului cald numai pentru intervalul de timp strict necesar. Acest lucru prelungeste durata de viață a dezumidificatorului și reduce durata fazei de funcționare cu gaz cald.

### ▶▶5. PANOUL DE COMANDĂ

Panoul de comandă (Fig. 4) se află în partea din spate a dezumidificatorului și include:

- ▶ 5.1. UMIDOSTATUL (1): Umidostatul este prevăzut cu scală gradată de la 1 la 5. Setarea umidostatului la valoarea minimă (1): dezumidificatorul va funcționa până la atingerea umidității relative de 80% în încăperea. Setarea umidostatului la valoarea maximă (5): dezumidificatorul va funcționa până la atingerea umidității relative de 20% în încăperea. În poziția "CONT" dezumidificatorul va funcționa constant, indiferent de valoarea umidității relative. În poziția "OFF" dezumidificatorul nu pornește niciodată (întrerupător cu un singur pol).

► 5.2. CONTOR (2): Contorul indică numărul de ore de funcționare a dezumidificatorului.

► 5.3. SELECTOR VITEZĂ DE VENTILAȚIE (3): Selectorul vitezei de ventilație se utilizează pentru alegerea funcționării dezumidificatorului la debit maxim de aer sau la debit de aer intermediar, în funcție de necesități.

► 5.4. LED INDICATOR DE ALARMĂ (4): Ledul de indicare a unei alarme se aprinde atunci când, în cazul dezumidificatorului cu rezervor, acesta este plin sau sistemul de evacuare directă este înfundat, sau în cazul dezumidificatorului cu pompă (opțional), există o defecțiune la sistemul de evacuare a apei. Când ledul de indicare a alarmei este aprins, dezumidificatorul nu funcționează; resetați aparatul pentru a-l reporni.

► 5.5. PRIZĂ UMIDOSTAT LA DISTANȚĂ (5): Prin conectarea la priză a unui umidostat la distanță, este posibilă controlarea de la distanță a umidității relative pe care doriți să o obțineți în cameră.

► 5.6. ÎNTRERUPĂTOR DE SCHIMBARE A TENSIUNII (6) (dacă este prevăzut): La modelele cu dublu voltaj (...DV) se poate seta tensiunea de funcționare a dezumidificatorului pentru a adapta aparatul la tensiunea furnizată de rețeaua de alimentare.

## ►► 6. PORNIREA APARATULUI

**IMPORTANT:** La modelele cu dublu voltaj (...DV), verificați:

► 1-POZIȚIA ÎNTRERUPĂTORULUI DE SCHIMBARE A TENSIUNII (220-240 V/110-120 V) (Fig. 5); În cazul în care tensiunea configurată nu se potrivește cu cea furnizată de rețea, este necesar să se intervină pentru adaptarea tensiunii. Pentru a face acest lucru deșurubați cele două șuruburi care fixează capacul (Fig. 6), comutați/apăsați comutatorul în corespondența tensiunii de alimentare furnizată (Fig. 7) și puneți la loc capacul (Fig. 8).

► 2-VERIFICAȚI TIPUL DE PRIZĂ; În cazul în care tipul de priză nu se potrivește cu caracteristicile sursei de alimentare, se va utiliza un adaptor specific.

**DACĂ POZIȚIA ÎNTRERUPĂTORULUI DE SCHIMBARE A TENSIUNII, TIPUL DE PRIZĂ ȘI TENSIUNEA DE ALIMENTARE SUNT ADECVATE, SE POATE CONTINUA CU SECVENȚA DE PORNIRE.**

Pentru a putea fi pus în funcțiune dezumidificatorul trebuie menținut în poziție verticală (poziția normală de utilizare) timp de cel puțin opt ore. Nerespectarea acestei norme poate provoca daune ireparabile dezumidificatorului.

► 6.1. Respectați toate instrucțiunile de siguranță;

► 6.2. Conectați cablul de alimentare la sursa de alimentare cu energie electrică (Fig. 9) (VEZI TENSIUNE ÎN "TABEL CU DATE TEHNICE");

► 6.3. Rotiți umidostatul (1 Fig. 4) în dreptul valorii de umiditate relativă dorită, dezumidificatorul va porni automat.

Datorită selectorului "VITEZĂ DE VENTILAȚIE" (3 Fig. 4), dezumidificatorul poate funcționa la debit maxim de aer sau la debit de aer intermediar, în funcție de necesități, pentru a obține confort maxim în încăpere.

## ►► 7. OPRIREA APARATULUI

Pentru a opri dezumidificatorul:

► 7.1. Rotiți umidostatul (1 Fig. 4) în poziția "OFF";

► 7.2. Scoateți ștecherul din sursa de alimentare numai după oprirea dezumidificatorului (Fig. 10).

## ►► 8. CONECTAREA UMIDOSTATULUI LA DISTANȚĂ

Pentru modelele cu un umidostat la distanță (5 Fig. 4), scoateți capacul aflat pe dezumidificator și conectați umidostatul aflat la distanță (opțional) (Fig. 11). Pentru buna funcționare a dezumidificatorului, rotiți complet butonul umidostatului aflat

pe panoul de comandă (1 Fig. 4) în poziția «CONT» și setați umiditatea dorită pe umidostatul aflat la distanță.

## ►► 9. DACĂ DEZUMIDIFICATORUL NU PORNEȘTE SAU NU DEZUMIDIFICĂ

În cazul în care «LEDUL INDICATOR DE ALARMĂ» (4 Fig. 4) se aprinde, înseamnă că rezervorul de recuperare este plin cu apă și/sau există o defecțiune la pompă (opțional); este suficient să goliți rezervorul și/sau să reporniți pompa. Dacă problema persistă, contactați centrul de asistență tehnică autorizat.

## ►► 10. RACORDAREA LA UN SISTEM DE CONDUCTE DE EVACUARE

Dezumidificatorul poate fi conectat direct la o conductă fixă de evacuare.

► 10.1. ÎN SITUAȚIA STANDARD A DEZUMIDIFICATORULUI CU REZERVOR: rezervorul este prevăzut cu un racord la care se poate conecta o conductă cu diametrul intern de 16mm. Înainte de racordarea conductei, scoateți șurubul/capacul (dacă este prevăzut) (Fig. 12) și verificați ca racordul să fie curat pentru a preveni posibilele obturări.

► 10.2. ÎN CAZUL DEZUMIDIFICATORULUI CU POMPĂ DE EVACUARE A APEI (opțional): dezumidificatorul (Fig. 13) poate fi prevăzut cu o pompă de evacuare a apei (opțional). Racordarea pompei se face ușor și imediat datorită conectorului electric special și a racordului hidraulic amplasat în partea din spate; la acest racord se poate conecta o conductă cu diametrul intern de 16mm. Înainte de conectarea conductei, înlăturați șurubul/capacul (dacă este prevăzut) (Fig. 14) și verificați ca racordul să fie curat pentru a preveni posibilele obturări. TOATE INSTRUCȚIUNILE ȘI DETALIILE PRIVIND MODUL DE INSTALARE SUNT LIVRATE ÎN KIT-UL POMPEI.

## ►► 11. ÎNTREȚINEREA PERIODICĂ

Singura operațiune de întreținere care trebuie efectuată periodic este curățarea filtrului (Fig. 15). Pentru curățare, scoateți filtrul din partea anterioară a dezumidificatorului (Fig. 16) și curățați-l sub jet de apă. Această operațiune se va efectua în medie, în fiecare lună. În cazul utilizării în medii cu mult praf, curățarea se va face la intervale mai dese de timp. În funcție de utilizare poate fi necesară curățarea bateriei cu aripioare; curățarea se va face cu ajutorul unui jet de apă la joasă presiune. Înainte de spălarea bateriei este obligatorie deconectarea cablului de alimentare de la sursa de alimentare cu energie electrică (Fig. 10). Pentru spălarea bateriei procedați după cum urmează (Fig. 17-18):

► 11.1. Scoateți șurubul care fixează capacul pe dezumidificator (1);

► 11.2. Rotiți capacul (2);

► 11.3. Scoateți cele două șuruburi și protecția bateriei cu aripioare (3). (Spălați bine bateria cu aripioare cu apă la joasă presiune; acordați atenție să nu udați panoul electric. FLUXUL DE APĂ TREBUIE SĂ CURGĂ NUMAI DE SUS ÎN JOS);

► 11.4. Puneți la loc protecția și cele două șuruburi (4);

► 11.5. Rotiți capacul pentru a-l aduce înapoi în poziție verticală (5);

► 11.6. Puneți la loc șurubul care fixează capacul pe dezumidificator (6).

Înainte de pornirea dezumidificatorului verificați ca părțile electrice să nu fie ude și/sau umede. În condiții normale trebuie să treacă cel puțin opt ore. Operațiunile de curățare îmbunătățesc performanțele dezumidificatorului și asigură o durată lungă de viață a acestuia.

**JEDNOTKA JE UTESNENÁ A OBSAHUJE FLUÓROVANÉ SKLENÍKOVÉ PLYNY, NA KTORÉ SA VZŤAHUJE KJÓTSKY PROTOKOL. "GWP" JE UVEDENÝ V "TABULKE S TECHNICKÝMI ÚDAJMI."**

**DÔLEŽITÉ: PRED KAŽDOU ÚDRŽBOU, ČISTENÍM, OPRAVOU ATD. VŽDY ODPOJTE NAPÁJACÍ KÁBEL OD ELEKTRICKEJ SIETE. PRED OPĀTOVNÝM SPUSTENÍM ODVLHČOVAČA SA UISTITE SA, ŽE ELEKTRICKÉ ČASTI NIE SÚ MOKRÉ A / ALEBO VLHKÉ.**

## ►► 1. BEZPEČNOSTNÉ UPOZORNENIA

Odvlhčovač musí byť zapojený do uzemnenej elektrickej zásuvky. Nedodržanie tohto pravidla, rovnako ako u všetkých elektrických spotrebičov, vedie k následkom, za ktoré výrobca nenesie žiadnu zodpovednosť.

Demontáž zariadenia musí byť vykonaná výhradne kvalifikovaným technikom.

Keď je prístroj pripojený do elektrickej zásuvky, musí byť udržiavaný vo vzpriamenej polohe a nesmie byť násilne premiestňovaný. Prípadné úniky vody z nádrže môžu prísť do kontaktu s elektrickými súčast'ami so zjavnými nebezpečnými dôsledkami. Je preto nevyhnutné pred presunom odvlhčovača odpojiť napájací kábel a pred jeho zdvihnutím vyprázdniť nádrž.

Pokiaľ dôjde k akémukoľvek rozliatiu vody v dôsledku náhlych pohybov, musí odvlhčovač zostať v pokoji vo vzpriamenej polohe po dobu najmenej ôsmich hodín, než bude opäť uvedený do prevádzky.

Tento odvlhčovač nasáva vzduch do prednej časti a odvádza ho cez zadnú mriežku; Preto, predný panel, ktorý obsahuje vzduchový filter, musí byť udržiavaný vo vzdialenosti najmenej pätnásť centimetrov od stien.

Zariadenie by sa tiež nemalo uvádzať do prevádzky v uzavretých priestoroch, ktoré neumožňujú šírenie vzduchu, ktorý vychádza zo zadnej mriežky, do priestoru. Je však možné priblížiť bočné panely k stenám, aby nevznikli problémy s hladkým chodom. Tento odvlhčovač je vyrobený v súlade s najprísnejšími bezpečnostnými normami. Nemali by ste však vsúvať ostré predmety (skrutkovače, pletacie ihlice a podobne) do mriežky alebo otvoru, ktorý zostáva odkrytý v prednom paneli pri demontáži filtra: to je nebezpečné pre zdravie osôb, a môže spôsobiť poškodenie zariadenia.

Na čistenie vonkajších stien je možné po odpojení napájacej zástrčky zo zásuvky použiť vlhkú handričku. Nezakrývajte prednú mriežku látkou ani inými predmetmi, prístroj sa môže poškodiť a stať sa zdrojom nebezpečenstva.

Pravidelne filter čistite: čistenie sa musí vykonávať približne každý mesiac; v prípade použitia vo veľmi prašnom prostredí by malo byť čistenie častejšie. Postupy pri čistení vid' príslušná kapitola. Keď je filter znečistený, vychádzajúci vzduch je teplejší, než je obvyklé, čo spôsobuje poškodenie zariadenia a zníženie výkonu.

## ►► 2. POPIS ZVLHČOVAČA

Všetky prenosné odvlhčovače využívajú chladiaci cyklus s kompresorom. Tieto prístroje sú popísané nižšie.

## ►► 3. MONTÁŽ ZVLHČOVAČA

Tento model je vybavený rukoväťou. Tento diel je obsiahnutý v balení odvlhčovača. Ak chcete nainštalovať rukoväť, postupujte podľa nasledujúcich krokov (Obr. 1-2):

- 3.1. Vyberte skrutku upínajúcu kryt ku konštrukcii (1);
- 3.2. Otočte kryt (2);
- 3.3. Vyberte štyri skrutky umiestnené po stranách konštrukcie, dve na ľavej strane a dve na pravej strane (3);
- 3.4. Umiestíte rukoväť do správnej polohy (4);
- 3.5. Vráťte štyri skrutky umiestnené po stranách konštrukcie, dve na ľavej strane a dve na pravej strane (5);
- 3.6. Otočením kryt uvedte späť do zvislej polohy (6);
- 3.7. Vráťte skrutku upínajúcu kryt ku konštrukcii (7).

## ►► 4. PREVÁDZKA

Tento odvlhčovač je prístrojom využívajúcim chladiaci cyklus, ktorého prevádzka je založená na fyzikálnom princípe, pri ktorom sa vzduch dostane do kontaktu s chladným povrchom, čím odovzdáva vlhkosť vo forme kvapiek kondenzácie alebo ľadu, ak okolitá teplota nie je vysoká.

V praxi chladič udržiava v chlade lamelovú batériu, cez ktorú je vedený vzduch, ktorý sa ochladzuje a odvlhčuje. Následne prechádza horúcim výmenníkom tepla, kde sa vzduch ohreje, aby sa následne vrátil do prostredia vysušený o teplotu o niečo vyššej, ako je teplota pôvodná. Odkaz na výkres (Obr. 3):

Vzduch je nasávaný z prednej časti odvlhčovača: prechádza filtrom (1), ventilátorom (2), studeným výmenníkom (výparníkom) (3), teplým výmenníkom (kondenzátorom) (4) a nakoniec odvlhčený vzduch vychádza von a vracia sa do okolitého prostredia priechodom cez zadnú mriežku. Kondenzovaná voda sa zachytáva v nádrži (5). Mikrospínač (6) zastaví prístroj vo chvíli, kedy voda v nádrži dosiahne určitú úroveň. Regulátor vlhkosti (7) umožňuje prevádzku odvlhčovača, kedy je vlhkosť v miestnosti vyššia ako je požadované. Elektronická karta (8) riadi odmrazovanie a zamedzuje škodlivým krátkym cyklom kompresora (9) odkladaním štartu.

Tieto odvlhčovače sú vybavené zariadením na odmrazovanie horúcim plynom, majú preto, elektromagnetický ventil pre obtok horúceho plynu, špeciálnu elektronickú kartu a odmrazovací termostat.

Prevádzka systému odmrazovania je exkluzívnou vlastnosťou našich výrobkov: v praxi systém s termostatom a elektronickým riadením využíva obtoku horúceho plynu iba na nevyhnutnú dobu. To predlžuje životnosť odvlhčovača skracovaním prevádzkovej fázy horúceho plynu.

## ►► 5. OVLÁDACÍ PANEL

Ovládací panel (Obr. 4) sa nachádza v zadnej časti odvlhčovača a zahŕňa nasledujúce:

- 5.1. REGULÁTOR VLHKOSTI (1): Regulátor vlhkosti je možné nastaviť na stupnici v rozsahu od 1 do 5. Nastavenie regulátora vlhkosti na minimálnu hodnotu (1) znamená nechať pracovať odvlhčovač do dosiahnutia relatívnej vlhkosti prostredia 80%. Nastavenie regulátora vlhkosti na maximálnu hodnotu (5) znamená nechať pracovať odvlhčovač až do



dosiahnutia relatívnej vlhkosti vzduchu v prostredí 20%. V polohe "CONT" bude odvlhčovač vždy pracovať bez ohľadu na hodnotu relatívnej vlhkosti. V polohe "OFF" sa odvlhčovač nikdy nespustí (jednopólový spínač).

- ▶ 5.2. ČÍTAČ HODÍN (2): Čítač udáva počet hodín prevádzky odvlhčovača.
- ▶ 5.3. VOLIČ RÝCHLOSTI VENTILÁCIE (3): Volič rýchlosti ventilátora umožňuje, aby odvlhčovač pracoval pri maximálnom prietoku a strednom prietoku vzduchu v závislosti na požiadavke.
- ▶ 5.4. KONTROLKA ALARMU (4): Kontrolka alarmu sa rozsvieti, keď v štandardnom prípade odvlhčovače s nádržou je táto plná alebo výpusť upchatá, alebo priamo v prípade odvlhčovača s čerpadlom (voliteľne) došlo k poruche výpustného systému. Keď sa rozsvieti, odvlhčovač nefunguje, je treba resetovať prístroj za účelom jeho opätovného spustenia.
- ▶ 5.5. ZÁSUVKA DIAĽKOVÉHO REGULÁTORA VLHKOSTI (5): Pri pripojení diaľkového regulátora vlhkosti do zásuvky môžete riadiť a vzdialene ovládať relatívnu vlhkosť, ktorú chcete v miestnosti dosiahnuť.
- ▶ 5.6. SPÍNAČ ZMENY NAPÄTIA (6) (v prípade inštalácie): U modelov s dvojitým napätím (...DV) môžete nastaviť prevádzkové napätie odvlhčovača a prispôbiť sa tak napätiu zo siete.

## ▶▶ 6. ZAPNUTIE

**DÔLEŽITÉ: U modelov s dvojitým napätím (...DV) skontrolujte:**

▶ 1-POLOHA PREPÍNAČA NAPÄTIA (220-240V / 110-120V) (Obr. 5); Ak nastavené napätie nezodpovedá predpokladanému sieťovému napätiu, je nutné ho upraviť. Odskrutkujte dve upevňujúce skrutky krytu (Obr. 6), prepnite / stlačte vypínač na napätie dodávané zo siete (Obr. 7) a opätovne kryt namontujte (Obr. 8).

▶ 2-SKONTROLUJTE TYP ZÁSUVKY; Ak typ zásuvky nezodpovedá charakteristike napájania, musí byť použitý príslušný adaptér.

**AK JE POLOHA PREPÍNAČA NAPÄTIA SPRÁVNA A TYP ZÁSUVKY A ELEKTROINŠTALÁCIA ZODPOVEDÁ, JE MOŽNÉ PRISTÚPIŤ K ZAPNUTIU.**

Aby bolo možné uviesť odvlhčovač do prevádzky, musí byť vo zvislej polohe (poloha pre bežné použitie) po dobu najmenej ôsmich hodín. Ak tak neurobíte, môže to spôsobiť nenapraviteľné škody na odvlhčovači.

- ▶ 6.1. Dodržujte všetky bezpečnostné pokyny;
- ▶ 6.2. Pripojte napájací kábel do elektrickej siete (Obr. 9) (POZRI NAPÄTIE V "TABULKE TECHNICKÝCH ÚDAJOV");
- ▶ 6.3. Otočte regulátor vlhkosti (1 Obr. 4) na hodnotu požadovanej relatívnej vlhkosti vzduchu, odvlhčovač sa automaticky spustí.

Pomocou prepínača "RÝCHLOSŤ VENTILÁCIE" (3 Obr. 4) môžete nechať odvlhčovač pracovať pri maximálnom alebo strednom prietoku vzduchu v závislosti na požiadavke, aby sa dosiahlo maximálneho komfortu v miestnosti.

## ▶▶ 7. VYPNUTIE

Ak chcete odvlhčovač vypnúť, musíte:

- ▶ 7.1. Otočiť regulátor vlhkosti (1 Obr. 4) do polohy "OFF";
- ▶ 7.2. Odpojiť napájací kábel z elektrickej siete po vypnutí odvlhčovača (Obr. 10).

## ▶▶ 8. PRIPOJENIE DIAĽKOVÉHO REGULÁTORA VLHKOSTI

U modelov s prípravou pre diaľkový regulátor vlhkosti (5 Obr. 4) zložte kryt pripojený k odvlhčovaču a pripojte diaľkový regulátor vlhkosti (voliteľné príslušenstvo) (Obr. 11). Pre správnu funkciu odvlhčovača otočte gombíkom regulátora vlhkosti na ovládacom paneli (1 Obr. 4) do polohy "CONT" a nastavte požadovanú vlhkosť na diaľkovom regulátore vlhkosti.

## ▶▶ 9. AK SA ODVLHČOVAČ NESPÚŠŤA ALEBO NEODVLHČUJE

Ak sa rozsvieti "KONTROLKA ALARMU" (4 Obr. 4), znamená to, že zberná nádrž na vodu je plná a / alebo došlo k poruche čerpadla (voliteľné príslušenstvo), stačí vyprázdniť zásobník a / alebo resetovať čerpadlo. Ak problém pretrváva, obráťte sa na autorizovaný servis.

## ▶▶ 10. PRIPOJENIE K ODPADOVÉMU POTRUBIU

Tento odvlhčovač poskytuje možnosť pripojenia prístroja priamo k pevnej odpadovej rúre.

▶ 10.1. V PRÍPADE ŠTANDARDNÉHO ZVLHČOVAČA SE ZÁSOBNÍKOM: Nádrž má prípojku, ku ktorej je možné pripojiť hadicu s vnútorným priemerom 16mm. Pred pripojením hadice odstráňte skrutku / zátku (ak je k dispozícii) (Obr. 12) a skontrolujte čistotu prípojky, aby sa zabránilo prípadnému zaneseniu.

▶ 10.2. V PRÍPADE ZVLHČOVAČA S ČERPADLOM (VOLITELNÉ PRÍSLUŠENSTVO): Je možné nainštalovať čerpadlo (voliteľne) na vypúšťanie vody odvlhčovača (Obr. 13). Pripojenie je jednoduché a okamžité vďaka pripravenej elektroinštalácii (špecifický konektor) a vodoinštalácii (prípojka v zadnej časti, kde je možné pripojiť hadicu s vnútorným priemerom 16mm). Pred pripojením hadice odstráňte skrutku / zátku (ak je k dispozícii) (Obr. 14) a skontrolujte čistotu prípojky, aby sa zabránilo prípadnému zaneseniu. VŠETKY POKYNY A INFORMÁCIE PRE INŠTALÁCIU SÚ UVEDENÉ V SADE ČERPADLA.

## ▶▶ 11. PRAVIDELNÁ ÚDRŽBA

Jediná nutná údržba je pravidelné čistenie filtra (Obr. 15). Čistenie sa vykonáva vybratím filtra z prednej časti odvlhčovača (Obr. 16), a jeho oplachom pod tečúcou vodou v bežnom umývadle. Čistenie sa musí vykonávať približne každý mesiac; v prípade použitia vo veľmi prašnom prostredí by malo byť čistenie častejšie.

V závislosti od použitia môže byť potrebné čistenie rebrovanej batérie za použitia nízkotlaktej vody. Pred praním je bezpodmienečne nutné odpojiť napájací kábel z napájacieho zdroja (Obr. 10). Pri oplachu je nutné dodržať nasledujúci postup (Obr. 17-18):

- ▶ 11.1. Vyberte skrutku upínajúcu kryt ku konštrukcii (1);
  - ▶ 11.2. Otočte kryt (2);
  - ▶ 11.3. Odstráňte dve skrutky a kryt rebrovanej batérie (3). (Umyte rebrovanú batériu nízkotlakou vodou a nenamočte pritom elektrický panel. VODA MUSÍ BYŤ VEDENÁ ZHORA NADOL);
  - ▶ 11.4. Nasadte kryt a vráťte obe skrutky späť na miesto (4);
  - ▶ 11.5. Otočením kryt uveďte späť do zvislej polohy (5);
  - ▶ 11.6. Vráťte skrutku upínajúcu kryt ku konštrukcii (6).
- Pred reštartovaním odvlhčovača sa uistite, že elektrické časti nie sú vlhké a / alebo mokré, za bežných podmienok musí uplynúť aspoň osem hodín. To zlepší výkon odvlhčovača a zaručí jeho dlhú životnosť.

**УРЕДЪТ Е ЗАПЕЧАТАН И СЪДЪРЖА ФЛУОРИРАНИ ПАРНИКОВИ ГАЗОВЕ, УРЕДЕНИ ОТ ПРОТОКОЛА ОТ КИТО. "GWP" Е ПОСОЧЕН В "ТАБЛИЦА С ТЕХНИЧЕСКИ ДАННИ".**

**ВАЖНО: ПРЕДИ ИЗВЪРШВАНЕ НА ВСЯКА ОПЕРАЦИЯ ПО ПОДДРЪЖКА, ПОЧИСТВАНЕ, ПОПРАВКА ИЛИ ДРУГО, ВИНАГИ ИЗКЛЮЧАЙТЕ ЗАХРАНВАЩИЯ ЩЕПСЕЛ ОТ ЕЛЕКТРИЧЕСКАТА МРЕЖА. ПРЕДИ ДА РЕСТАРТИРАТЕ ВЛАГОУЛОВИТЕЛЯ ПРОВЕРЕТЕ ДАЛИ ЕЛЕКТРИЧЕСКИТЕ ЧАСТИ НЕ СА МОКРИ И/ИЛИ ВЛАЖНИ.**

## ►► 1. ПРЕДУПРЕЖДЕНИЯ ЗА БЕЗОПАСНОСТ

Влагоуловителят винаги трябва да е свързан към електрически контакти, снабдени със заземяване. Несъблюдаването на това правило, както при всички електрически уреди по принцип, причинява опасности, за чиито последици производителят не поема никаква отговорност.

Демонтажът на уреда трябва да се извършва само и единствено от квалифициран технически персонал. Когато уредът е свързан към електрически контакт, той трябва да се поддържа във вертикално положение и не трябва да се премества насилствено. Евентуални течове на вода от резервоара може да влязат в контакт с електрически части, което очевидно би причинило опасност. По тази причина е абсолютно необходимо да изключите щепсела, преди да преместите влагоуловителя и да източите резервоара му, преди да го повдигнете.

В случай на разлив на вода вследствие на резки премествания, влагоуловителят трябва да остане неподвижен във вертикална позиция в продължение на поне осем часа, преди отново да бъде пуснат в експлоатация.

Този влагоуловител аспирира въздуха в предната си част и го изхвърля през задната решетка; затова предният панел, върху който е поставен въздушният филтър, трябва винаги да бъде на разстояние от поне петнадесет сантиметра от стените.

Освен това уредът не трябва да се пуска да работи в тесни пространства, които не позволяват разпръскването на излизания от задната решетка въздух в помещението. Възможно е обаче да доближавате страничните панели до стените, без да затруднявате редовната работа.

Този влагоуловител е произведен при спазване на най-строгите правила за безопасност. Затова в решетката или в отвора, който остава открит в предния панел, когато извадите филтъра, не трябва да поставяте остри предмети (отвертки, куки за плетене или подобни): това е опасно за хората и може да повреди уреда.

За външното му почистване може да използвате влажен парцал, след като сте разкачили щепсела за захранване от електрическата мрежа. Не покривайте фронталната решетка с кърпи или други предмети, уредът се поврежда и може да създаде опасности. Периодично почиствайте филтъра: почистването трябва да се извършва със средна периодичност всеки месец; в случай на използване в силно запрашени среди, уредът трябва да се почиства по-често. Относно начините на почистване разгледайте съответния раздел. Когато филтърът е замърсен, излизаният въздух е по-горещ от нормалното, като поврежда уреда и намалява ефективността му.

## ►► 2. ОПИСАНИЕ НА ВЛАГОУЛОВИТЕЛЯ

Всички преносими влагоуловители използват цикъл на охлаждане с компресор. Уредите са описани по-долу.

## ►► 3. СГЛОБЯВАНЕ НА ВЛАГОУЛОВИТЕЛЯ

Този модел разполага с дръжка. Този компонент се намира в опаковката на влагоуловителя. За да монтирате дръжката, процедирайте както следва (Сх. 1-2):

- 3.1. Отстранете винта, който закрепва капака към конструкцията (1);
- 3.2. Завъртете капака (2);
- 3.3. Отстранете четирите винта, разположени върху страничните панели на конструкцията - два върху лявата страница и два - върху дясната (3);
- 3.4. Поставете дръжката в правилно положение (4);
- 3.5. Поставете обратно четирите винта, разположени върху страниците на конструкцията - два върху лявата страница и два - върху дясната (5);
- 3.6. Завъртете капака, за да го върнете във вертикално положение (6);
- 3.7. Поставете отново винта, който закрепва капака към конструкцията (7).

## ►► 4. РАБОТА

Този влагоуловител е уред с охладителен цикъл, чието функциониране се основава на физическия принцип, при който когато въздухът влезе в контакт със студена повърхност, я намокря, като отделя влага под формата на капки конденз или на лед, ако околната температура не е висока.

На практика една охлаждаща машина поддържа студена една оребрена батерия, през която преминава въздухът, който се охлажда и от който се отнема влагата. Впоследствие, преминавайки през горещ топлообменник, въздухът се загрива, за да се върне в помещението с отнета влага и с температура, леко по-висока от първоначалната.

За справка вижте чертежа (Сх. 3):

Въздухът се всмуква от предната страна на влагоуловителя: преминава през филтъра (1), вентилатора (2), студения обменник (изпарител) (3), топлия обменник (кондензатор) (4) и накрая въздухът с отнета влага излиза и се връща в помещението, като преминава през задната решетка. Кондензираната вода се събира в резервоара (5). Един микропрекъсвач (6) спира уреда, когато водата в резервоара достигне определено ниво. Влагостатът (7) позволява функциониране на влагоуловителя, когато влажността в помещението е по-висока от желаното ниво. Една електронна платка (8) управлява размразяването и защитава уреда от повреда, като възпрепятства извършването на близки едно до друго във времето стартирания на компресора (9), като забавя пускането му.

Тези влагоуловители разполагат с устройства за размразяване с горещ газ, затова са снабдени с електроклапа за байпас на горещия газ, специална електронна платка и термостат за размразяване.

Функционирането на размразяващата система при нашите продукти е ексклузивно: на практика една система с термостат и електронно управление използва байпаса на горещия газ само за минимално необходимото време. Това удължава живота на влагоуловителя, като намалява работата с горещ въздух.

## ►► 5. КОМАНДЕН ПАНЕЛ

Командният панел (Сх. 4) е разположен от задната страна на влагоуловителя и включва:

- 5.1. ВЛАГОСТАТ (1): Скалата на влагостата е в диапазон от 1 до 5. Настройката на влагостата на минимална стойност (1) означава влагоуловителят да работи до достигане на 80% относителна влажност в помещението. Настройката на влагостата на максимална стойност (5) означава влагоуловителят да работи до достигане на 20% относителна влажност в помещението. В положение "CONT" влагоуловителят винаги работи независимо от стойността на относителната влажност. В положение

“OFF” влагоуловителят никога не започва работа (еднополюсен прекъсвач).

- ▶ 5.2. БРОЯЧ НА ЧАСОВЕТЕ (2): Броячът показва броя работни часове на влагоуловителя.
- ▶ 5.3. СЕЛЕКТОРЕН КЛЮЧ ЗА СКОРОСТ НА ВЕНТИЛИРАНЕ (3): Селекторният ключ за скорост на вентилиране позволява влагоуловителят да работи при максимален или при междинен въздушен дебит в зависимост от нуждата.
- ▶ 5.4. СВЕТЛИНЕН ИНДИКАТОР ЗА АЛАРМА (4): Светлинният индикатор за аларма се включва, когато в стандартния случай на влагоуловител с резервоар, резервоарът е пълен или директното отвеждане е запушено или когато в случай на влагоуловител с помпа (опция) е налице неизправност в системата за отвеждане. Когато светлинният индикатор се включи и влагоуловителят не работи, рестартирайте уреда, за да го пуснете отново.
- ▶ 5.5. КРАН ЗА ДИСТАНЦИОНЕН ВЛАГОСТАТ (5): Свързвайки даден дистанционен влагостат към крана, дистанционно може да се управлява и контролира относителната влажност, която искате да постигнете в помещението.
- ▶ 5.6. ПРЕКЪСВАЧ ЗА ПРОМЯНА НА НАПРЕЖЕНИЕТО (6) (ако е наличен): При моделите с двоен волтаж (... DV) е възможно да настроите работното напрежение на влагоуловителя, за да постигнете адаптация спрямо напрежението на електрическата мрежа.

## ▶▶ 6. ВКЛЮЧВАНЕ

**ВАЖНО:** При моделите с двоен волтаж (...DV) проверете:

▶ 1-ПОЛОЖЕНИЕТО НА ПРЕКЪСВАЧА ЗА ПРОМЯНА НА НАПРЕЖЕНИЕТО (220-240V / 110-120V) (Сх. 5); Ако настроеното напрежение не съответства на доставяното от мрежата, трябва да се намесите, за да настроите напрежението на нужната стойност. Развийте двата винта за фиксиране на капачката (Сх. 6), преместете/натиснете прекъсвача върху стойността на снабдяването напрежение (Сх. 7) и монтирайте капачката обратно (Сх. 8).

▶ 2-ПРОВЕРЕТЕ ВИДА КОНТАКТ; Ако типът контакт не съответства на характеристиките на електроснабдяването, е необходимо да го приспособите посредством специален адаптор.

**АКО ПОЗИЦИЯТА НА ПРЕКЪСВАЧА ЗА ПРОМЯНА НА НАПРЕЖЕНИЕТО, ВИДЪТ КОНТАКТ И ЕЛЕКТРОСНАБДЯВАНЕТО СИ СЪОТВЕТСТВАТ, Е ВЪЗМОЖНО ДА ПРОДЪЛЖИТЕ СЪС СЕРИЯТА ОПЕРАЦИИ ЗА ВКЛЮЧВАНЕ.**

За да може да пуснете влагоуловителя в експлоатация, той трябва да е останал във вертикално положение (положението на нормално използване) в продължение на поне осем часа. Несъблюдаването на това правило може да причини непоправими повреди на влагоуловителя.

- ▶ 6.1. Спазвайте всички инструкции, отнасящи се до безопасността;
- ▶ 6.2. Свържете щепсела за захранване към електрическата мрежа (Сх. 9) (ВИЖТЕ НАПРЕЖЕНИЕТО В „ТАБЛИЦА ТЕХНИЧЕСКИ ДАННИ“);
- ▶ 6.3. Завъртете влагостата (1 Сх. 4) на стойността на желаната относителна влажност и влагоуловителят ще се стартира автоматично.

Благодарение на селекторния ключ „СКОРОСТ НА ВЕНТИЛИРАНЕ“ (3 Сх. 4), влагоуловителят може да се пусне на максимален или междинен въздушен дебит в зависимост от нуждите, така че да се постигне максимален комфорт в помещението.

## ▶▶ 7. ИЗКЛЮЧВАНЕ

За да изключите влагоуловителя, е необходимо:

- ▶ 7.1. Да завъртите влагостата (1 Сх. 4) на “OFF”;
- ▶ 7.2. Да разкачите щепсела за захранване от електрическата мрежа при изключен влагоуловител (Сх. 10).

## ▶▶ 8. СВЪРЗВАНЕ НА ДИСТАНЦИОННИЯ ВЛАГОСТАТ

При моделите с осигурен дистанционен влагостат (5 Сх. 4) отстранете капачката, свързана към влагоуловителя и свържете дистанционния влагостат (опция) (Сх. 11). За правилно функциониране на влагоуловителя, завъртете изцяло ръкохватката на влагостата, разположен върху командния панел (1 Сх. 4) към “CONT” и настройте желаната влажност върху дистанционния влагостат.

## ▶▶ 9. АКО ВЛАГОУЛОВИТЕЛЯТ НЕ СЕ СТАРТИРА ИЛИ НЕ УЛАВЯ ВЛАГАТА

Ако “СВЕТЛИННИЯТ ИНДИКАТОР АЛАРМА” (4 Сх. 4) се включи, това означава, че водосъбирателният резервоар е пълен и/или помпата (опция) е неизправна, в такъв случай трябва просто да източите резервоара и/или да рестартирате помпата. Ако проблемът не изчезне, се свържете с оторизиран сервизен център.

## ▶▶ 10. СВЪРЗВАНЕ КЪМ ОТВЕЖДАЩА ТРЪБА

Този влагоуловител предвижда възможността да свържете уреда директно към фиксирана тръба за отвеждане.

▶ 10.1. ПРИ СТАНДАРТЕН СЛУЧАЙ НА ВЛАГОУЛОВИТЕЛ С РЕЗЕРВОАР: Резервоарът има фитинг, към който може да свържете тръба с вътрешен диаметър 16мм. Преди да свържете тръбата, отстранете винта/капачката (ако е налична) (Сх. 12) и проверете дали фитингът е почистен, за да избегнете възможни запушвания.

▶ 10.2. В СЛУЧАЙ НА ВЛАГОУЛОВИТЕЛ С ПОМПА (ОПЦИЯ): Възможно е към влагоуловителя да монтирате помпа (опция) за отвеждане на водата (Сх. 13). Свързването е лесно и непосредствено, благодарение на наличните електрически (специален конектор) и водопроводни части (фитинг, разположен от задната страна, където може да свържете тръба с вътрешен диаметър 16мм). Преди да свържете тръбата, отстранете винта/капачката (ако е налична) (Сх. 14) и проверете дали фитингът е почистен, за да избегнете възможни запушвания. ВСИЧКИ ИНСТРУКЦИИ И ПОДРОБНОСТИ ЗА МОНТАЖА СЕ ПРЕДОСТАВЯТ С КОМПЛЕКТА ЗА ПОМПАТА.

## ▶▶ 11. ПЕРИОДИЧНА ПОДДРЪЖКА

Единствената поддръжка, която трябва да се извършва периодично, е почистването на филтъра (Сх. 15). Почистването трябва да се извършва чрез отстраняване на филтъра от предната страна на влагоуловителя (Сх. 16) и поставянето му под водна струя на обикновена мивка. Трябва да се извършва със средна периодичност всеки месец; в случай на използване в силно запрашени среди, уредът трябва да се почиства по-често.

В зависимост от използването, може да се налага почистване на оребрената батерия с вода с ниско налягане. Преди да извършите промиването, е необходимо да разкачите захранващия щепсел от електрическата мрежа (Сх. 10). За да извършите правилно промиване, спазвайте следната процедура (Сх. 17-18):

- ▶ 11.1. Отстранете винта, който закрепва капачката към конструкцията (1);
- ▶ 11.2. Завъртете капачката (2);
- ▶ 11.3. Отстранете двата винта и премахнете защитата на оребрената батерия (3). (Извийте оребрената батерия с вода под ниско налягане, като внимавате да не намокрите електрическото табло. **ВОДНИЯТ ПОТОК ТРЯБВА ДА БЪДЕ САМО ОТГОРЕ НАДОЛУ**);
- ▶ 11.4. Монтирайте обратно защитата и двата винта (4);
- ▶ 11.5. Завъртете капачката, за да го върнете във вертикално положение (5);
- ▶ 11.6. Поставете отново винта, който закрепва капачката към конструкцията (6).

Преди да пуснете отново влагоуловителя, проверете дали електрическите части не са мокри и/или влажни, при нормални условия трябва да изминат поне осем часа. Това почистване подобрява работните характеристики на влагоуловителя и осигурява дълготрайния му живот.



**ПРИСТРІЙ ГЕРМЕТИЧНО ЗАКРИТИЙ ТА МІСТИТЬ ФТОРОВАНІ ПАРНИКОВІ ГАЗИ, ВКЛЮЧЕНІ ДО КІУТСЬКОГО ПРОТОКОЛУ. В "ТАБЛИЦІ ТЕХНІЧНИХ ДАНИХ" ЗАЗНАЧЕНО СИМВОЛ "GWP".**

**ВАЖЛИВА ІНФОРМАЦІЯ: ПЕРЕД ТИМ, ЯК ВИКОНУВАТИ ТЕХНІЧНЕ ОБСЛУГОВУВАННЯ, ЧИСТКУ, РЕМОНТ ТА ІНШІ ОПЕРАЦІЇ, СЛІД СПЕРШУ ЗАВЖДИ ВІД'ЄДНУВАТИ ВИЛКУ ВІД МЕРЕЖІ ЕЛЕКТРИЧНОГО ПОСТАЧАННЯ. ПЕРЕД ВМИКАННЯМ ВОЛОГОПОГЛИНАЧА СЛІД ПЕРЕКОНАТИСЯ В ТОМУ, ЩО ЙОГО ЕЛЕКТРИЧНІ ЧАСТИНИ СУХІ.**

## ►► 1. ПОПЕРЕДЖЕННЯ ЩОДО ТЕХНІКИ БЕЗПЕКИ

Вологопоглинач повинен завжди під'єднуватися до розеток, що сполучені зі системою заземлення. Невиконання цієї норми, як і на всіх електричних пристроях, може спричинити відповідний ризик, за наслідки якого виробник не буде нести ніякої відповідальності.

Демонтаж пристрою повинен здійснюватися лише кваліфікованим техніком.

В той час, коли пристрій підключений до електричної мережі, його слід тримати у вертикальному положенні та запобігати різким пересуванням. Витік води з резервуару може призвести до контакту з електричними частинами пристрою, з відповідними небезпечними наслідками. А тому перед будь-яким переміщенням вологопоглинача слід вимкнути вилку з мережі та спорожнити резервуар перед тим, як піднімати його.

У тому випадку, коли в результаті різких переміщень має місце розтікання та розплескування води, слід залишити вологопоглинач у вертикальному положенні вимкненим якнайменше на вісім годин, і лише після цього його можна вмикати.

Цей вологопоглинач всмоктує повітря у передній частині і виводить його через решітку у задній частині; при цьому передня панель, на якій розташований повітряний фільтр, повинна знаходитися на відстані щонайменше в п'ятнадцять сантиметрів від стінок та інших перешкод.

Крім того, забороняється використовувати пристрій у дуже тісному просторі з недостатньою циркуляцією повітря та низьким розповсюдженням повітря, що виходить через задню решітку. При цьому бокові панелі пристрою можна встановлювати вздовж стінок, і це на завдасть ніякої шкоди роботі пристрою.

Цей вологопоглинач був розроблений та виготовлений у відповідності до найбільш жорстких норм техніки безпеки. Крім того, забороняється вставляти гострі предмети (викрутки, металеві спиці та інше) у решітку або у отвір, що залишається відкритим при витягуванні фільтру; такі дії дуже небезпечні для людей та можуть пошкодити пристрій.

Для зовнішньої чистки пристрою слід скористатися вологою ганчіркою; від'єднати перед цим вилку з електричної мережі. На закривати передню решітку пристрою тканиною або іншими предметами; такі дії дуже небезпечні для людей та можуть пошкодити пристрій.

Слід регулярно чистити фільтр, цю операцію необхідно виконувати не рідше, ніж раз на місяць; у тому випадку, коли пристрій використовується у приміщеннях з високою концентрацією пилу, чистку слід проводити частіше. Щодо правил виконання чистки див. відповідний розділ. Якщо фільтр забруднений, температура повітря на виході перевищує нормальну, що призводить до пошкодження пристрою та зниження ефективності його роботи.

## ►► 2. ОПИСАННЯ ВОЛОГОПОГЛИНАЧА

Всі переносні вологопоглиначі використовують цикл холодильного осушування з компресором. Ці пристрої більш детально описані далі.

## ►► 3. СКЛАДАННЯ ВОЛОГОПОГЛИНАЧА

Ця модель укомплектована ручкою. Ця складова упакована в комплекті разом з вологопоглиначем. Щоб встановити ручку, слід діяти наступним чином (Мал. 1-2):

- 3.1. Відкрутити болт, який закріплює кришку до структури (1);
- 3.2. Повернути кришку (2);
- 3.3. Відкрутити чотири болти, розташовані по боках структури, два болти з лівого боку та два - з правого (3);
- 3.4. Встановити ручку у правильне положення (4);
- 3.5. Знову закрутити чотири болти, розташовані по боках структури, два болти з лівого боку та два - з правого (5);
- 3.6. Повернути кришку, щоб встановити її у вертикальне положення (6);
- 3.7. Закрутити болт, який закріплює кришку до структури (7);

## ►► 4. РОБОТА

Цей вологопоглинач є холодильним осушувачем, принцип роботи якого оснований на фізичних властивостях повітря, яке при контакті з холодною поверхнею зволожує її, віддаючи вологу у вигляді крапель конденсату або льоду, якщо температура середовища досить низька.

Практично це холодильний агрегат, у якому встановлена холодна ребриста батарея; через неї пропускається повітря, яке при проходженні охолоджується та висушується. Після цього повітря подається на гарячий теплообмінник, де воно підігрівається і повертається у навколишнє середовище зневодненим, а його температура злегка перевищує початкову.

Посилання на малюнок (Мал. 3):

Повітря всмоктується через передню частину вологопоглинача: через фільтр (1), вентилятор (2), холодний теплообмінник (випарник) (3), гарячий теплообмінник (конденсатор) (4) і нарешті зневоднене повітря виходить знову у навколишнє середовище через задню решітку. Конденсована вода збирається у спеціальному резервуарі (5). Мікрровимикач (6) зупиняє пристрій, якщо вода у резервуарі досягає певного рівня. Вологорегулятор (7) забезпечує роботу вологопоглинача у тому випадку, коли вологість середовища перевищує необхідну. Електронна плата (8) регулює розморожування та запобігає небажаним частим вмиканням компресора (9), затримуючи їх.

Ці вологопоглиначі укомплектовані газовим пристроєм для розморожування, електроклапаном для бай-пасу гарячого газу, спеціальною електронною платою та термостатом розморожування.

Функціонування системи розморожування є виключною характеристикою нашої продукції: практично система з термостатом та електронним контролем використовує бай-пас гарячого газу тільки на протязі необхідного проміжку часу. Це значно подовжує термін служби вологопоглинача, оскільки скорочує фазу функціонування гарячого газу.

## ►► 5. ПАНЕЛЬ УПРАВЛІННЯ

Панель управління (Мал. 4) знаходиться у задній частині вологопоглинача і включає:

- 5.1. ВОЛОГОРЕГУЛЯТОР (1): Вологорегулятор має шкалу відліку від 1 до 5. Установка налаштувань вологорегулятора на мінімальне значення (1) означає, що вологопоглинач буде працювати, щоб забезпечити відносну вологість середовища, що дорівнює 80%. Установка налаштувань вологорегулятора на максимальне значення (5) означає, що вологопоглинач буде працювати, щоб забезпечити відносну вологість середовища, що дорівнює 20%. У положенні "CONT" вологопоглинач завжди працює незалежно від значення відносної вологості. У положенні "OFF" вологопоглинач ніколи не вмикається (однополюсне вмикання).
- 5.2. ЛІЧИЛЬНИК ГОДИН (2): Лічильник годин вказує на кількість годин роботи вологопоглинача.
- 5.3. ПЕРЕМИКАЧ ШВИДКОСТІ ВЕНТИЛЯЦІЇ (3): Перемикач швидкості вентиляції дозволяє настроїти

роботу вологопоглинач на максимальній пропускній здатності або на помірній пропускній здатності, в залежності від потреб.

- ▶ 5.4. ІНДИКАТОР ТРИВОГ (4): Світлоіндикатор тривоги вмикається у випадку стандартного вологопоглинач з резервуаром при заповненні резервуару, забиванні прямого виводу; у випадку вологопоглинач з насосом (опція) світлоіндикатор тривоги вмикається при неполадках системи виводу. При вмиканні світлоіндикатора вологопоглинач не працює; щоб він знову запрацював, слід виконати скидання пристрою до початкових умов.
- ▶ 5.5. РОЗНІМАЧ ДИСТАНЦІЙНОГО ВОЛОГОРЕГУЛЯТОРА (5): Якщо під'єднати до рознімача дистанційний вологорегулятор, можна управляти та контролювати на відстані відносно вологість середовища.
- ▶ 5.6. ПЕРЕМИКАЧ ЗМІНИ НАПРУГИ (6) (де мається): У моделях, передбачених для подвійної напруги (...DV) можна настроїти напругу роботи вологопоглинач, щоб вона відповідала напрузі електричної мережі живлення.

## ▶▶ 6. ВМИКАННЯ

**ВАЖЛИВА ІНФОРМАЦІЯ:** У моделях, передбачених для подвійної напруги (...DV), перевірити:

▶ 1-ПОЛОЖЕННЯ ПЕРЕМИКАЧА ЗМІНИ НАПРУГИ (220-240В / 110-120В) (Мал. 5); Якщо встановлена напруга не відповідає напрузі електричної мережі живлення, відрегулювати напругу. Відкрити два болти кріплення кришки (Мал. 6), перевести/натиснути перемикач на значення напруги, що відповідає напрузі мережі живлення (Мал. 7) та знову встановити кришку на місце (Мал. 8).

▶ 2-ПЕРЕВІРИТИ ТИП ВИЛКИ-РОЗЕТКИ; Якщо тип вилки не відповідає характеристикам розетки мережі, необхідно забезпечити відповідний адаптер.

**ЯКЩО ПЕРЕМИКАЧ ЗМІНИ НАПРУГИ У ВІДПОВІДНОМУ ПОЛОЖЕННІ, ТИП ВИЛКИ-РОЗЕТКИ В ПОРЯДКУ, МОЖНА ПЕРЕЙТИ ДО ВМИКАННЯ ПРИСТРОЮ.**

Перед вмиканням вологопоглинач слід залишити у вертикальному положенні (положення нормальної експлуатації) не менше, ніж на вісім годин. Недотримання цієї норми може спричинити непоправне пошкодження вологопоглинач, що не підлягає ремонту.

- ▶ 6.1. Дотримуватися всіх норм та правил техніки безпеки;
- ▶ 6.2. Під'єднати вилку живлення до електричної мережі (Мал. 9) (ДИВ. НАПРУГУ В "ТАБЛИЦІ ТЕХНІЧНИХ ДАНИХ");
- ▶ 6.3. Повернути вологорегулятор (1 Мал. 4) на бажане значення відносно вологості, вологопоглинач ввімкнеться автоматично.

За допомогою перемикача "ШВИДКІСТЬ ВЕНТИЛЯЦІЇ" (3 Мал. 4) можна настроїти роботу вологопоглинач на максимальній пропускній здатності або на помірній пропускній здатності, в залежності від потреб, щоб досягти максимально комфортних умов середовища.

## ▶▶ 7. ВИМИКАННЯ

Щоб вимкнути вологопоглинач, необхідно:

- ▶ 7.1. Повернути вологорегулятор (1 Мал. 4) на "OFF";
- ▶ 7.2. Від'єднати вилку живлення від електричної мережі (Мал. 10).

## ▶▶ 8. ПІД'ЄДНАННЯ ДИСТАНЦІЙНОГО ВОЛОГОРЕГУЛЯТОРА

Для моделей, що передбачають під'єднання дистанційного вологорегулятора (5 Мал. 4), зняти пробку під'єднання вологопоглинач та під'єднати дистанційний вологорегулятор (опція) (Мал. 11). Для правильної роботи вологорегулятора повернути рукоятку вологорегулятора на панелі управління (1 Мал. 4) на "CONT" і встановити бажане значення вологості на вологорегуляторі.

## ▶▶ 9. ЯКЩО ВОЛОГОПОГЛИНАЧ НЕ ВМИКАЄТЬСЯ АБО НЕ ЗНЕВОЛОЖУЄ

Якщо "СВІТЛОІНДИКАТОР ТРИВОГ" (4 Мал. 4) вмикається, це означає, що заповнився резервуар збору води та/або що маються неполадки насосу (опція); досить спорожнити резервуар та/або відновити робоче положення насосу. Якщо проблема не усувається, звернутися до авторизованого центру технічної підтримки.

## ▶▶ 10. ПІД'ЄДНАННЯ ДО ЗЛИВНОГО ТРУБОПРОВОДУ

Цей вологопоглинач передбачає можливість його під'єднання безпосередньо до зливного трубопроводу.

▶ 10.1. У ВИПАДКУ СТАНДАРТНОГО ВОЛОГОПОГЛИНАЧА З РЕЗЕРВУАРОМ: Резервуар має патрубок, до якого можна під'єднати трубу з внутрішнім діаметром в 16мм. Перед під'єднанням труби зняти болт/пробку (де мається) (Мал. 12) та перевірити, щоб патрубок був чистим, щоб запобігти можливому забиванню.

▶ 10.2. У ВИПАДКУ ВОЛОГОПОГЛИНАЧА З НАСОСОМ (ОПЦІЯ): Можна встановити насос (опція) виводу води з вологопоглинач (Мал. 13). Під'єднання дуже просте і займає всього кілька хвилин завдяки передбаченим складовим електричного характеру (спеціальним з'єднувач) та гідравлічного характеру (патрубок, розташований в задній частині, до якого можна під'єднати трубу з внутрішнім діаметром в 16мм). Перед під'єднанням труби зняти болт/пробку (де мається) (Мал. 14) та перевірити, щоб патрубок був чистим, щоб запобігти можливому забиванню. ВСІ ІНСТРУКЦІЇ ТА ДЕТАЛЬНА ІНФОРМАЦІЯ ЩОДО УСТАНОВКИ НАДАЮТЬСЯ У КОМПЛЕКТІ НАСОСУ.

## ▶▶ 11. ПЕРІОДИЧНЕ ТЕХНІЧНЕ ОБСЛУГОВУВАННЯ

Єдиний вид технічного обслуговування, який слід виконувати регулярно, - це чистка фільтра (Мал. 15). Для чистки слід виїняти фільтр з передньої частини вологопоглинач (Мал. 16) та промити його під струменем води у звичайному умивальнику. Цю операцію необхідно виконувати не рідше, ніж раз на місяць; у тому випадку, коли пристрій використовується у приміщеннях з високою концентрацією пилу, чистку слід проводити частіше.

В залежності від умов використання може виникнути потреба в промивці ребристої батареї струменем води під низьким тиском. Перед промивкою слід обов'язково від'єднати вилку живлення від електричної мережі (Мал. 10). Щоб правильно промити батарею, слід діяти наступним чином (Мал. 17-18):

- ▶ 11.1. Відкрити болт, який закріплює кришку до структури (1);
- ▶ 11.2. Повертати кришку (2);
- ▶ 11.3. Зняти два болти та зняти захисне покриття ребристої батареї (3). (Промити ребристу батарею струменем води під низьким тиском, слідкувати за тим, щоб не намочити електрощит. НАПРЯМОК ПОТОКУ ВОДИ ПОВИНЕН БУТИ ЛИШЕ ЗВЕРХУ ДОНИЗУ);
- ▶ 11.4. Знову встановити захисне покриття та два болти (4);
- ▶ 11.5. Повертати кришку, щоб встановити її у вертикальне положення (5);
- ▶ 11.6. Закрутити болт, який закріплює кришку до структури (6).

Перед тим, як ввімкнути вологопоглинач, перевірити, щоб всі електричні частини були сухими, в нормальних умовах перед вмиканням слід почекати вісім годин. Ця чистка значно покращує ефективність роботи вологопоглинач та подовжує термін його служби.

**APARAT JE NEPROPUSTAN I SADRŽI FLUORISANE STAKLENIČKE PLINOVE KOJI SU PREDMET PROTOKOLA IZ KYOTA. "GPW" SE NAVODI U "TABLCICI TEHNIČKIH PODATAKA".**

**VAŽNO: PRIJE BILO KOJEG ODRŽAVANJA, ČIŠĆENJA, POPRAVLJANJA ILI NEČEG DRUGOG, UVIJEK ISKOPČAJTE STRUJNI UTIKAČ IZ MREŽE. PRIJE NEGO ŠTO POKRENETE ODVLAŽIVAČ ZRAKA, UVJERITE SE DA ELEKTRIČNI DIJELOVI NISU VLAŽNI I/ ILI MOKRI.**

## ►► 1. SIGURNOSNA UPOZORENJA

Odvlaživač zraka se mora uvijek spojiti na strujne utičnice opremljene žicom za uzemljenje. Nepoštovanje tog propisa, kao i kada su u pitanju svi ostali električni aparati uzrokuje opasnost za čije se posljedice proizvođač neće smatrati odgovornim. Rastavljanje aparata mora obaviti isključivo kvalifikovani tehničar.

Kada je aparat povezan na strujnu utičnicu mora se držati u vertikalnom položaju te se ne smije silom pomicati. Eventualno curenje vode iz rezervoara bi moglo doći u kontakt sa električnim dijelovima i stvoriti opasnu situaciju. Zato je neophodno iskopčati utikač prije nego što pomaknete odvlaživač i ispraznite rezervoar prije njegovog podizanja.

U slučaju da dođe do prolivanja vode zbog naglih pomicanja, odvlaživač zraka će morati ostati nepomičan u vertikalnom položaju barem osam sati prije nego što se ponovno pusti u rad.

Ovaj odvlaživač zraka usisava zrak na prednjoj strani i ispušta ga kroz zadnju rešetku; zato se prednji panel koja sadrži filter za zrak mora držati na udaljenosti od barem petnaest centimetara od zida. Uređaj također ne bi smio raditi u uskim prostorima koji ne dopuštaju širenje u prostor zraka koji izlazi iz zadnje rešetke. Nasuprot tome, možete približiti bočne ploče zidu bez da tako nešto stvori probleme za normalni rad.

Ovaj odvlaživač zraka je napravljen poštujući najstrožije sigurnosne propise. Zato ne smijete umetati oštre predmete (odvijače, igle za pletenje ili slično) u rešetke ili otvore koji se vide nakon skidanja prednjeg panela povodom vađenja filtera: tako nešto je opasno po ljude i može oštetiti aparat. Da biste ga očistili, koristite vlažnu krpu nakon što ste iskopčali utičnicu iz električne mreže. Ne pokrivajte prednju rešetku krpama ili drugim predmetima, aparat će se oštetiti i može dovesti do opasnih stanja.

Povremeno očistite filter: čišćenje se mora obaviti manje-više svaki mjesec; u slučaju korištenja u vrlo prašnjavim prostorima, ono mora biti i češće. Što se tiče načina čišćenja, pogledajte odgovarajuće poglavlje. Kada je filter prljav, izlazit će topliji zrak nego inače te će oštetiti aparat i smanjiti njegovu efikasnost.

## ►► 2. OPIS ODVLAŽIVAČA ZRAKA

Svi prenosivi odvlaživači zraka koriste rashladni ciklus s kompresorom. Aparati se opisuju u nastavku.

## ►► 3. SASTAVLJANJE ODVLAŽIVAČA ZRAKA

Ovaj model ima ručku. Ta se komponenta nalazi u ambalaži odvlaživača zraka. Da biste instalirali ručku, pridržavajte se sljedećeg postupka (Sl. 1-2):

- 3.1. Skinite vijak koji pričvršćuje poklopac na strukturu (1);
- 3.2. Okrećite poklopac (2);
- 3.3. Skinite četiri vijka postavljena na bočnoj strani strukture, dva na lijevom a dva na desnom boku (3);
- 3.4. Postavite ručku u pravilan položaj (4);
- 3.5. Ponovno postavite četiri vijka koji se nalaze na boku strukture, dva na lijevi a dva na desni bok (5);
- 3.6. Okrećite poklopac kako biste ga ponovno postavili u vertikalni položaj (6);
- 3.7. Ponovo instalirajte vijak koji pričvršćuje poklopac na strukturu (7).

## ►► 4. RAD

Ovaj odvlaživač je rashladna jedinica čiji se rad temelji na fizičkom principu da kad zrak dođe u dodir s hladnom površinom, mokri je i ispušta vlagu u obliku kapi kondenzacije ili leda kada vanjska temperatura nije visoka.

U praksi rashladni uređaj održava hladnim rebraste zavojnice, kroz koje prolazi zrak koji se hladi i odvlažuje. Zrak prolazi kroz vrući izmjenjivač topline te se zagrijava da bi se onda vratio u odvlaženi prostor na lagano višoj temperaturi od one početne.

Pogledajte crtež (Sl. 3):

Zrak se usisava kroz prednju stranu odvlaživača: prolazi kroz filter (1), ventilator (2), hladni izmjenjivač (isparivač) (3), topli izmjenjivač (kondenzator) (4) i na kraju odvlaženi zrak izlazi i vraća se u prostor kroz zadnju rešetku. Kondenzirana voda se skuplja u rezervoar (5). Mikroprekidač (6) zaustavlja aparat kada voda u rezervoaru dođe do nekog određenog nivoa. Vlagomjer (7) omogućuje rad odvlaživača zraka kada je vlaga u prostoru viša od željenog nivoa. Elektronska kartica (8) upravlja ciklusom odmrzavanja i sprečava štetne kratke cikluse kompresora (9) odgađanjem početka.

Ovi su odvlaživači opremljeni uređajem za odleđivanje na topli plin, zato imaju i električni ventil za premošćavanje toplog plina, posebnom elektronskom karticom i termostatom za odleđivanje.

Rad sistema za odleđivanje je ekskluzivan za naše proizvode; praktički sistem sa termostatom i elektronskom kontrolom koristi premošćenje vrućeg plina samo za neophodno kratko vrijeme. Tako nešto produžuje životni vijek odvlaživača zraka i smanjuje fazu rada sa toplim plinom.

## ►► 5. UPRAVLJAČKA PLOČA

Upravljačka ploča (Sl. 4) se nalazi na zadnjoj strani odvlaživača zraka i obuhvaća:

- 5.1. VLAGOMJER (1): Vlagomjer ima na sebi skalu u rasponu od 1 do 5. Postavljanjem vlagomjera na minimalnu vrijednost (1) to znači da će odvlaživač zraka raditi sve dok ne postigne 80% relativne vlažnosti prostora. Postavljanjem vlagomjera na maksimalnu vrijednost (5) to znači da će odvlaživač zraka raditi sve dok ne postigne 20% relativne vlažnosti prostora. U položaju "CONT" odvlaživač će zraka raditi nezavisno od vrijednosti relativne vlažnosti. U položaju "OFF" odvlaživač se nikada neće pokretati (jednopolarni prekidač).
- 5.2. BROJAČ SATI (2): Brojač navodi broj sati rada odvlaživača zraka.



- ▶ 5.3. BIRAČ BRZINE VENTILACIJE (3): Birač brzine ventilacije omogućuje rad odvlaživača na maksimalnoj brzini protoka zraka ili na onoj srednjoj zavisno od potreba.
- ▶ 5.4. IND.SVJETLO ALARMA (4): Ind.svjetlo alarma se uključuje u slučaju standardnog odvlaživača zraka sa rezervoarom kada je on pun ili kada je direktni odvod zaštopan ili kada je riječ o odvlaživaču s pumpom (opcija) u slučaju kvara na sistemu za odvod. Kada se uključi ind.svjetlo odvlaživač zraka ne radi, ponovno pokrenite aparat.
- ▶ 5.5. UTIČNICA DALJINSKOG VLAGOMJERA (5): Ako ukopčate daljinski vlagomjer u utičnicu, možete na daljinu upravljati i kontrolirati relativnu vlažnost koju želite postići u prostoru.
- ▶ 5.6. PREKIDAČ ZA PROMJENU NAPONA (6) (tamo gdje postoji): U modelima s dvojnim naponom (...DV), možete postaviti radni napon odvlaživača zraka da biste ga prilagodili naponu iz strujne mreže.

## ▶▶ 6. UKLJUČIVANJE

**VAŽNO:** Kada je riječ o modelima sa dvostrukom voltazom (...DV), provjerite:

▶ **1-POLOŽAJ PREKIDAČA ZA PROMJENU NAPONA (220-240V / 110-120V) (Sl. 5);** Ako se napon postavljen na grijaču ne podudara s onim mreže, trebate intervenirati da biste prilagodili napon. Odvijte dva vijka za pričvršćivanje poklopca (Sl. 6) da biste pomaknuli/pritisnuli prekidač na vrijednost napona kojom se opskrbljuje (Sl. 7) i ponovno postavite poklopac (Sl. 8).

▶ **2-PROVJERITE TIP UTIČNICE;** Ako tip utičnice ne bude odgovarao karakteristikama napajanja, morat ćete je prilagoditi uz pomoć odgovarajućeg adaptera.

**AKO SE POLOŽAJ PREKIDAČA ZA PROMJENU NAPONA, TIP UTIČNICE I NAPON STRUJE BUDU PODUDARALI, MOŽETE POČETI SA NIZOM UKLJUČIVANJA.**

Da bi mogli pustiti u rad odvlaživač, on mora ostati u vertikalnom položaju (položaj normalnog korištenja) najmanje osam sati. Nepoštivanje ovog pravila može dovesti do nepovratnog oštećenja odvlaživača zraka.

- ▶ 6.1. Slijedite sva uputstva koja se tiču sigurnosti;
- ▶ 6.2. Ukopčajte utikač za napajanje na električnu mrežu (Sl. 9) (VIDI NAPON NA "TABELI SA TEHNIČKIM PODACIMA");
- ▶ 6.3. Okrenuti vlagomjer (1 Sl. 4) na željenu relativnu vrijednost vlage, odvlaživač zraka će se automatski pokrenuti.

Zahvaljujući biraču "BRZINA VENTILACIJE" (3 Sl. 4) odvlaživač zraka može raditi na maksimalnom protoku zraka ili na onom srednjem zavisno od potreba na način da se postigne maksimalni komfor u prostoru.

## ▶▶ 7. ISKLJUČIVANJE

Da biste isključili odvlaživač zraka morate:

- ▶ 7.1. Okrenuti vlagomjer (1 Sl. 4) prema "OFF";
- ▶ 7.2. Iskopčati utikač iz strujne mreže kada je odvlaživač zraka isključen (Sl. 10).

## ▶▶ 8. POVEZIVANJE DALJINSKOG VLAGOMJERA

Za modele koji imaju daljinski vlagomjer (5 Sl. 4) skinite čep povezan na odvlaživač i spojite daljinski vlagomjer

(opcija) (Sl. 11). Da bi odvlaživač zraka mogao ispravno raditi, u potpunosti okrenite ručicu vlagomjera na upravljačkoj ploči (1 Sl. 4) prema "CONT" i prilagodite željenu vlagu na daljinskom vlagomjeru.

## ▶▶ 9. AKO SE ODVLAŽIVAČ ZRAKA NE POKREĆE ILI NE ODVLAŽUJE

Ako se "IND.SVJETLO ALARMA" (4 Sl. 4) uključi to znači da je rezervoar za skupljanje vode pun i/ili postoji neki kvar na pumpi (opcija), dovoljno je isprazniti rezervoar i/ili povratiti rad pumpe. Ako se problem ni tako ne riješi, kontaktirajte ovlaštenog servisera.

## ▶▶ 10. POVEZIVANJE NA CIJEV ZA ODVOD

Ovaj odvlaživač zraka predviđa mogućnost da se aparat izravno spoji na fiksnu cijev za odvod.

▶ 10.1. U STANDARDNOM SLUČAJU SA ODVLAŽIVAČEM ZRAKA SA REZERVOAROM: Rezervoar ima spojku na koju se može povezati cijev unutrašnjeg promjera od 16mm. Prije nego što povežete cijev, skinite vijak/čep (tamo gdje postoji) (Sl. 12) i provjerite čistoću spoja kako ne bi došlo do začepjenja.

▶ 10.2. U SLUČAJU ODVLAŽIVAČA SA PUMPOM (OPCIJA): Moguće se opcionalno instalirati pumpu za odvod vode na odvlaživač zraka (Sl. 13). Povezivanje je brzo i jednostavno jer je sve već spremno za električno (specifični konektor) i hidraulično spajanje (spojka se nalazi na zadnjem dijelu na kojem se može povezati cijev unutrašnjeg promjera od 16mm). Prije nego što povežete cijev, skinite vijak/čep (tamo gdje postoji) (Sl. 14) i provjerite čistoću spoja kako ne bi došlo do začepjenja. SVA UPUTSTVA I DETALJI ZA INSTALACIJU SE PRILAŽU U KOMPLETU S PUMPOM.

## ▶▶ 11. PERIODIČNO ODRŽAVANJE

Jedino održavanje koje se mora periodično obavljati je čišćenje filtra (Sl. 15). Čišćenje se mora obaviti na način da skinete filter sa prednje strane odvlaživača zraka (Sl. 16) i stavite ga pod mlaz vode u običnom umivaoniku. To morate obaviti svaki mjesec; u slučaju uporabe u vrlo prašnjavim prostorima ono će se morati obaviti i češće.

S obzirom na uporabu, možda će se morati očistiti rebraste zavojnice vodom pod niskim tlakom. Prije nego što obavite pranje, obavezno iskopčajte utikač za napajanje na struju (Sl. 10). Da biste pravilno obavili pranje, pridržavajte se sljedećeg postupka (Sl. 17-18):

- ▶ 11.1. Skinite vijak koji pričvršćuje poklopac na strukturu (1);
- ▶ 11.2. Okrećite poklopac (2);
- ▶ 11.3. Skinite dva vijka i uklonite zaštitu rebraste zavojnice (3). (Operite rebrastu zavojnicu vodom pod niskim tlakom i pazite da ne poprskate električnu ploču. PROTOK VODE MORA BITI ODOZGO PREMA DOLJE);
- ▶ 11.4. Ponovno postavite zaštitu i ponovno postavite dva vijka (4);
- ▶ 11.5. Okrećite poklopac da biste ga ponovno postavili u vertikalni položaj (5);
- ▶ 11.6. Ponovno instalirajte vijak koji pričvršćuje poklopac na strukturu (6).

Prije nego što ponovo pokrenete odvlaživač zraka, uvjerite se da električni dijelovi nisu mokri i/ili vlažni, u normalnim uvjetima mora proći barem 8 sati. Ovakvo čišćenje poboljšava performanse odvlaživača zraka i osigurava njegov dugi životni vijek.

**Η ΣΥΣΚΕΥΗ ΕΙΝΑΙ ΣΦΡΑΓΙΣΜΕΝΗ ΚΑΙ ΠΕΡΙΕΧΕΙ ΦΘΟΡΙΟΥΧΑ ΑΕΡΙΑ ΘΕΡΜΟΚΗΠΙΟΥ ΠΟΥ ΔΙΕΠΟΝΤΑΙ ΑΠΟ ΤΟ ΠΡΩΤΟΚΟΛΛΟ ΤΟΥ ΚΙΟΤΟ. ΤΟ "GWP" (ΔΥΝΑΜΙΚΟ ΠΛΑΝΗΤΙΚΗΣ ΑΥΞΗΣΗΣ ΤΗΣ ΘΕΡΜΟΚΡΑΣΙΑΣ) ΕΜΦΑΝΙΖΕΤΑΙ ΣΤΗΝ "ΠΙΝΑΚΙΔΑ ΤΩΝ ΤΕΧΝΙΚΩΝ ΣΤΟΙΧΕΙΩΝ".**

**ΣΗΜΑΝΤΙΚΟ: ΠΡΙΝ ΑΠΟ ΟΠΟΙΔΗΠΟΤΕ ΣΥΝΤΗΡΗΣΗ, ΚΑΘΑΡΙΣΜΟ, ΕΠΙΣΚΕΥΗ Ή ΑΛΛΕΣ ΕΡΓΑΣΙΕΣ, ΑΠΟΣΥΝΔΕΕΤΕ ΠΑΝΤΑ ΤΗΝ ΗΛΕΚΤΡΙΚΗ ΠΡΙΖΑ ΑΠΟ ΤΟ ΡΕΥΜΑ. ΠΡΙΝ ΘΕΣΕΤΕ ΣΕ ΛΕΙΤΟΥΡΓΙΑ ΤΟΝ ΑΦΥΓΡΑΝΤΗΡΑ ΒΕΒΑΙΩΘΕΙΤΕ ΟΤΙ ΔΕΝ ΕΙΝΑΙ ΒΡΕΓΜΕΝΑ Ή/ΚΑΙ ΥΓΡΑ ΤΑ ΗΛΕΚΤΡΙΚΑ ΜΕΡΗ.**

#### ►►1. ΠΡΟΕΙΔΟΠΟΙΗΣΕΙΣ ΑΣΦΑΛΕΙΑΣ

Ο αφυγραντήρας πρέπει να είναι πάντα συνδεδεμένος με ηλεκτρικές πρίζες που είναι εξοπλισμένες με σύνδεση γείωσης. Η μη τήρηση του κανόνα αυτού, όπως και για όλες τις ηλεκτρικές συσκευές, είναι αιτία επικίνδυνων καταστάσεων για τις συνέπειες των οποίων ο κατασκευαστής δεν φέρει καμία ευθύνη.

Η αποσυναρμολόγηση της συσκευής θα πρέπει να πραγματοποιείται αποκλειστικά από εξειδικευμένο τεχνικό.

Όταν η συσκευή είναι συνδεδεμένη στην ηλεκτρική πρίζα θα πρέπει να διατηρείται σε κάθετη θέση και δεν θα πρέπει να μετακινείται βίαια. Ενδεχόμενες διαρροές νερού από το δοχείο μπορεί να έρθουν σε επαφή με τα ηλεκτρικά μέρη με προφανείς επικίνδυνες συνέπειες. Για το λόγο αυτό είναι απολύτως απαραίτητο να αποσυνδέετε την πρίζα πριν μετακινήτε τον αφυγραντήρα και να αδειάζετε τη δεξαμενή πριν τον ανασηκώσετε.

Αν διαπιστωθεί κάποια διαρροή νερού εξαιτίας των απότομων μετακινήσεων, ο αφυγραντήρας θα πρέπει να παραμείνει ακίνητος σε κάθετη θέση για τουλάχιστον οχτώ ώρες πριν τεθεί και πάλι σε λειτουργία.

Ο παρόν αφυγραντήρας αναρροφά αέρα από το μπροστινό μέρος και τον αποβάλλει διαμέσου της πίσω σχάρας. Συνεπώς το μπροστινό πάνελ που φέρει το φίλτρο του αέρα θα πρέπει να διατηρείται σε απόσταση τουλάχιστον δεκαπέντε εκατοστών από τα τοιχώματα.

Η συσκευή δεν θα πρέπει επίσης να τίθεται σε λειτουργία σε στενούς χώρους που δεν επιτρέπουν τη διάχυση του αέρα στο περιβάλλον που βγαίνει από την πίσω σχάρα. Μπορείτε αντίθετα να φέρετε τα πλάγια πάνελ κοντά στα τοιχώματα χωρίς να υπάρξει κάποια δυσκολία κατά την κανονική λειτουργία.

Ο αφυγραντήρας αυτός είναι κατασκευασμένος σύμφωνα με τους πιο αυστηρούς κανονισμούς ασφαλείας. Δεν θα πρέπει εξ άλλου να εισάγονται αιχμηρά αντικείμενα (κατσαβίδια, βελόνες πλεξιματος ή παρόμοια) στη σχάρα ή στο άνοιγμα που παραμένει ακάλυπτο στο μπροστινό πάνελ όταν γίνεται η αφαίρεση του φίλτρου. Κάτι τέτοιο είναι επικίνδυνο για τους ανθρώπους και μπορεί να προκαλέσει ζημιά στη συσκευή.

Για να τον εξωτερικό καθαρισμό χρησιμοποιήστε ένα υγρό πανί αφού πρώτα αποσυνδέσετε την πρίζα τροφοδοσίας από το ρεύμα. Μην καλύπτετε τη μπροστινή σχάρα με πανιά ή άλλα αντικείμενα, η συσκευή μπορεί να υποστεί ζημιά ή να καταστεί επικίνδυνη.

Καθαρίζετε περιοδικά το φίλτρο: ο καθαρισμός θα πρέπει να γίνεται κατά μέσο όρο κάθε μήνα. Αν γίνεται χρήση της συσκευής σε χώρους με πολύ σκόνη ο καθαρισμός θα πρέπει να γίνεται πιο συχνά. Για τους τρόπους καθαρισμού δείτε το σχετικό κεφάλαιο. Όταν είναι βρώμικο το φίλτρο ο αέρας που εξέρχεται είναι πιο ζεστός από το κανονικό προκαλώντας ζημιά στη συσκευή και μειώνοντάς την απόδοσή της.

#### ►►2. ΠΕΡΙΓΡΑΦΗ ΤΟΥ ΑΦΥΓΡΑΝΤΗΡΑ

Όλοι οι φορητοί αφυγραντήρες χρησιμοποιούν ψυκτικό κύκλο με συμπιεστή. Οι συσκευές περιγράφονται στη συνέχεια.

#### ►►3. ΣΥΝΑΡΜΟΛΟΓΗΣΗ ΤΟΥ ΑΦΥΓΡΑΝΤΗΡΑ

Το παρόν μοντέλο είναι εξοπλισμένο με λαβή. Το εξάρτημα αυτό περιέχεται μέσα στη συσκευασία του αφυγραντήρα. Για την εγκατάσταση της λαβής ακολουθήστε την παρακάτω διαδικασία (Εικ. 1-2):

- 3.1. Βγάλετε τη βίδα που στερεώνει το κάλυμμα στη δομή (1);
- 3.2. Περιστρέψτε το κάλυμμα (2);
- 3.3. Βγάλετε τις τέσσερις βίδες που βρίσκονται στις πλευρές της δομής, δύο στην αριστερή πλευρά και δύο στη δεξιά πλευρά (3);
- 3.4. Τοποθετήστε στη σωστή θέση τη λαβή (4);
- 3.5. Βάλτε ξανά τις τέσσερις βίδες που είναι τοποθετημένες στις πλευρές της δομής, δύο στην αριστερή πλευρά και δύο στη δεξιά πλευρά (5);
- 3.6. Περιστρέψτε το κάλυμμα για να το επαναφέρετε στην κάθετη θέση (6);
- 3.7. Επανατοποθετήστε τη βίδα που στερεώνει το κάλυμμα στη δομή (7).

#### ►►4. ΛΕΙΤΟΥΡΓΙΑ

Ο παρόν αφυγραντήρας είναι μια ψυκτική συσκευή του οποίου η λειτουργία βασίζεται στη φυσική αρχή κατά την οποία όταν ο αέρας έρχεται σε επαφή με μια κρύα επιφάνεια τη βρέχει δημιουργώντας υγρασία υπό τη μορφή σταγόνων συμπύκνωσης ή πάγου αν η θερμοκρασία περιβάλλοντος δεν είναι υψηλή.

Στην πραγματικότητα ένα ψυκτικό μηχάνημα διατηρεί κρύα μια μπαταρία με πτερύγια, ενώ ο αέρας που διέρχεται μέσα από αυτό ψύχει και αφαιρεί την υγρασία. Στη συνέχεια ο αέρας θερμαίνεται περνώντας μέσα από έναν εναλλάκτη θερμότητας για να επιστρέψει κατόπιν σε περιβάλλον όπου έχει αφαιρεθεί η υγρασία και η θερμοκρασία είναι ελαφρά υψηλότερη της αρχικής.

Ανατρέξτε στο σχέδιο (Εικ. 3):

Η αναρρόφηση του αέρα γίνεται από το μπροστινό μέρος του αφυγραντήρα: διαπερνά το φίλτρο (1), τον ανεμιστήρα (2), τον κρύο εναλλάκτη (υγραντήρα) (3), το ζεστό εναλλάκτη (συμπυκνωτή) (4) και στο τέλος ο αέρας της αφύγρανσης εξέρχεται και εισέρχεται ξανά στο περιβάλλον περνώντας διαμέσου της πίσω σχάρας. Το συμπυκνωμένο νερό συλλέγεται στο δοχείο (5). Ένας μικροδιακόπτης (6) σταματά το μηχάνημα όταν το νερό στο δοχείο φθάσει ένα καθορισμένο επίπεδο. Ο υδροστάτης (7) επιτρέπει τη λειτουργία του αφυγραντήρα όταν η υγρασία στο περιβάλλον είναι υψηλότερη από το επιθυμητό επίπεδο. Μια ηλεκτρονική κάρτα (8) διαχειρίζεται την απόψυξη και εμποδίζει τις επιβλαβείς σύντομες εκκινήσεις του συμπιεστή (9) καθυστερώντας την εκκίνηση.

Οι αφυγραντήρες αυτοί είναι εξοπλισμένοι με διάταξη απόψυξης θερμού αερίου. Επιπλέον διαθέτουν μια ηλεκτροβαλβίδα για by pass θερμού αερίου, μια ειδική ηλεκτρονική κάρτα και ένα θερμοστάτη απόψυξης.

Η λειτουργία του συστήματος απόψυξης είναι αποκλειστική των προϊόντων μας: κατ' ουσία ένα σύστημα με ένα θερμοστάτη και έναν ηλεκτρονικό έλεγχο χρησιμοποιεί το by-pass του ζεστού αέρα μόνο για το χρόνο που είναι απολύτως αναγκαίος. Κάτι τέτοιο αυξάνει τη διάρκεια ζωής του αφυγραντήρα μειώνοντας τη φάση της λειτουργίας με θερμό αέριο.

#### ►►5. ΠΙΝΑΚΑΣ ΕΛΕΓΧΟΥ

Ο πίνακας ελέγχου (Εικ. 4) βρίσκεται στο πίσω μέρος του αφυγραντήρα και περιλαμβάνει:

- 5.1. ΥΓΡΟΣΤΑΤΗΣ (1): Ο υδροστάτης φέρει διαβάθμιση με κλίμακα που κυμαίνεται από 1 έως 5. Η ρύθμιση του υδροστάτη στην ελάχιστη τιμή (1) σημαίνει ότι ο αφυγραντήρας θα πρέπει να λειτουργήσει μέχρι να επιτευχθεί το 80% της σχετικής υγρασίας στο περιβάλλον. Η ρύθμιση του υδροστάτη στη μέγιστη τιμή (5) σημαίνει ότι ο αφυγραντήρας θα πρέπει να λειτουργήσει μέχρι να επιτευχθεί το 20% της σχετικής υγρασίας στο περιβάλλον. Στη θέση "CONT" (ΜΕΤΡΗΤΗΣ) ο αφυγραντήρας λειτουργεί πάντα ανεξάρτητα από την τιμή της σχετικής υγρασίας. Στη θέση "OFF" ο αφυγραντήρας δεν ενεργοποιείται σε καμιά περίπτωση (μονοπολικός διακόπτης).

- ▶ 5.2.ΜΕΤΡΗΤΗΣ (2): Ο μετρητής δείχνει τον αριθμό των ωρών λειτουργίας του αφυγραντήρα.
- ▶ 5.3.ΕΠΙΛΟΓΕΑΣ ΤΑΧΥΤΗΤΑΣ ΕΞΑΕΡΙΣΜΟΥ (3): Ο επιλογέας ταχύτητας εξαερισμού παρέχει τη δυνατότητα στον αφυγραντήρα να λειτουργεί στη μέγιστη ροή ή σε μια ενδιάμεση ροή αέρα ανάλογα με τις απαιτήσεις.
- ▶ 5.4.ΕΝΔΕΙΚΤΙΚΗ ΛΥΧΝΙΑ ΣΥΝΑΓΕΡΜΟΥ (4): Στη στάνταρντ περίπτωση αφυγραντήρα με δοχείο η ενδεικτική λυχνία του συναγερμού ανάβει όταν η δεξαμενή είναι γεμάτη ή η άμεση αποστράγγιση είναι φραγμένη ή αν υπάρχει κάποια δυσλειτουργία στο σύστημα αποστράγγισης στην περίπτωση αφυγραντήρα με αντλία (προαιρετικό). Όταν ανάβει η ενδεικτική λυχνία ο αφυγραντήρας δεν λειτουργεί, επαναφέρετε τη συσκευή ούτως ώστε να τον θέσετε και πάλι σε λειτουργία.
- ▶ 5.5.ΛΗΨΗ ΑΠΟΜΑΚΡΥΣΜΕΝΟΥ ΥΓΡΟΣΤΑΤΗ (5): Συνδέοντας έναν απομακρυσμένο υγροστάτη στην πρίζα, μπορείτε να διαχειρίζεστε και να ελέγχετε εξ αποστάσεως τη σχετική υγρασία που θέλετε να έχετε στο περιβάλλον.
- ▶ 5.6.ΔΙΑΚΟΠΤΗΣ ΑΛΛΑΓΗΣ ΤΑΣΗΣ (6) (όπου υπάρχει): Στα μοντέλα διπλής τάσης (...DV), μπορείτε να ρυθμίσετε την τάση λειτουργίας του αφυγραντήρα ούτως ώστε να προσαρμοστεί στην τάση που παρέχεται από το ηλεκτρικό δίκτυο.

## ▶▶ 6. ΑΝΑΦΛΕΞΗ

**ΣΗΜΑΝΤΙΚΟ:** Στα μοντέλα διπλής τάσης (...DV), ελέγξτε:

- ▶ 1-ΘΕΣΗ ΤΟΥ ΔΙΑΚΟΠΤΗ ΑΛΛΑΓΗΣ ΤΑΣΗΣ (220-240V / 110-120V) (Εικ. 5). Αν η τάση που έχει ρυθμιστεί δεν ανταποκρίνεται σε εκείνη του ηλεκτρικού δικτύου θα πρέπει να προβείτε στην προσαρμογή της τάσης. Ξεβιδώστε τις δύο βίδες στερέωσης του καλύμματος (Εικ. 6), μετακινήστε/πατήστε το διακόπτη στην τιμή της τάσης που παρέχεται (Εικ. 7) και ξανατοποθετήστε το καπάκι (Εικ. 8).
- ▶ 2-ΕΛΕΓΞΤΕ ΤΗΝ ΤΥΠΟΛΟΓΙΑ ΤΗΣ ΠΡΙΖΑΣ. Αν η τυπολογία της πρίζας δεν ανταποκρίνεται στα χαρακτηριστικά της ηλεκτρικής τροφοδοσίας η προσαρμογή θα πρέπει να γίνει μέσω ενός ειδικού προσαρμογέα.

**ΑΝ Η ΘΕΣΗ ΤΟΥ ΔΙΑΚΟΠΤΗ ΑΛΛΑΖΕΙ ΤΑΣΗ, Η ΤΥΠΟΛΟΓΙΑ ΤΗΣ ΠΡΙΖΑΣ ΚΑΙ ΤΗΣ ΗΛΕΚΤΡΙΚΗΣ ΤΡΟΦΟΔΟΣΙΑΣ ΕΙΝΑΙ ΣΥΝΑΦΗΣ ΚΑΙ ΜΠΟΡΕΙΤΕ ΝΑ ΠΡΟΧΩΡΗΣΕΤΕ ΣΤΗ ΔΙΑΔΙΚΑΣΙΑ ΤΗΣ ΑΝΑΦΛΕΞΗΣ.**

Για να μπορεί να τεθεί σε λειτουργία ο αφυγραντήρας θα πρέπει να παραμείνει στην κάθετη θέση (θέση κανονικής λειτουργίας) για τουλάχιστον οχτώ ώρες. Η μη συμμόρφωση με τον κανόνα αυτό μπορεί να προκαλέσει ανεπανόρθωτη βλάβη στον αφυγραντήρα.

- ▶ 6.1.Ακολουθήστε όλες τις οδηγίες που αφορούν την ασφάλεια;
  - ▶ 6.2.Συνδέστε το φως της τροφοδοσίας στο ηλεκτρικό δίκτυο (Εικ. 9) (ΔΕΙΤΕ ΤΑΣΗ ΣΤΗΝ "ΠΙΝΑΚΙΔΑ ΤΩΝ ΤΕΧΝΙΚΩΝ ΣΤΟΙΧΕΙΩΝ");
  - ▶ 6.3.Περιστρέψτε τον υγροστάτη (1 Εικ. 4) στην τιμή της επιθυμητής σχετικής υγρασίας, ο αφυγραντήρας θα ενεργοποιηθεί αυτόματα.
- Χάρη στον επιλογέα "ΤΑΧΥΤΗΤΑ ΕΞΑΕΡΙΣΜΟΥ" (3 Εικ. 4), μπορεί να λειτουργήσει ο αφυγραντήρας στη μέγιστη ροή ή σε μια ενδιάμεση ροή αέρα ανάλογα με τις απαιτήσεις, ούτως ώστε να επιτευχθεί η μέγιστη άνεση στο περιβάλλον.

## ▶▶ 7. ΑΠΕΝΕΡΓΟΠΟΙΗΣΗ

Για να απενεργοποιήσετε τον αφυγραντήρα θα πρέπει να ενεργήσετε ως εξής:

- ▶ 7.1.Περιστρέψτε τον υγροστάτη (1 Εικ. 4) προς τη θέση "OFF";
- ▶ 7.2.Αποσυνδέστε το φως της τροφοδοσίας από το ρεύμα έχοντας απενεργοποιημένο τον αφυγραντήρα (Εικ. 10).

## ▶▶ 8. ΣΥΝΔΕΣΗ ΑΠΟΜΑΚΡΥΣΜΕΝΟΥ ΥΓΡΟΣΤΑΤΗ

Για τα μοντέλα με εκ των προτέρων ρύθμιση με απομακρυσμένο υγροστάτη (5 Εικ. 4), βγάλτε το πώμα που είναι συνδεδεμένο

με τον αφυγραντήρα και συνδέστε τον απομακρυσμένο υγροστάτη (προαιρετικό) (Εικ. 11). Για τη σωστή λειτουργία του αφυγραντήρα, περιστρέψτε πλήρως τη λαβή του υγροστάτη που βρίσκεται στον πίνακα ελέγχου (1Εικ. 4) προς τη θέση "CONT" (ΜΕΤΡΗΤΗΣ) και ρυθμίστε την επιθυμητή υγρασία στον απομακρυσμένο υγροστάτη.

## ▶▶ 9. ΑΝ Ο ΑΦΥΓΡΑΝΤΗΡΑΣ ΔΕΝ ΕΝΕΡΓΟΠΟΙΕΙΤΑΙ Ή ΔΕΝ ΑΦΑΙΡΕΙ ΤΗΝ ΥΓΡΑΣΙΑ

Αν η "ΕΝΔΕΙΚΤΙΚΗ ΛΥΧΝΙΑ ΣΥΝΑΓΕΡΜΟΥ" (4 Εικ. 4) ανάβει, σημαίνει ότι είναι γεμάτο το δοχείο ανάκτησης νερού ή ότι υπάρχει κάποια δυσλειτουργία στην αντλία (προαιρετικό). Αδειάστε απλά το δοχείο ή/και επαναφέρετε την αντλία. Αν το πρόβλημα παραμένει, επικοινωνήστε με το εξουσιοδοτημένο κέντρο τεχνικής υποστήριξης.

## ▶▶ 10. ΣΥΝΔΕΣΗ ΜΕ ΕΝΑ ΣΩΛΗΝΑ ΑΠΟΣΤΡΑΓΓΙΣΗΣ

Ο αφυγραντήρας αυτός παρέχει τη δυνατότητα σύνδεσης της συσκευής απευθείας σε μια σταθερή σωλήνωση αποστράγγισης.

▶ 10.1.ΣΤΗΝ ΣΤΑΝΤΑΡΝΤ ΠΕΡΙΠΤΩΣΗ ΑΦΥΓΡΑΝΤΗΡΑ ΜΕ ΔΟΧΕΙΟ: Η δεξαμενή έχει ρακόρ στο οποίο μπορείτε να συνδέσετε ένα σωλήνα με εσωτερική διάμετρο 16mm. Πριν συνδέσετε το σωλήνα, αφαιρέστε τη βίδα/πώμα (όπου υπάρχει) (Εικ. 12) και ελέγξτε τον καθαρισμό του ρακόρ προκειμένου να αποφευχθούν πιθανά φραξίματα.

▶ 10.2.ΣΕ ΠΕΡΙΠΤΩΣΗ ΑΦΥΓΡΑΝΤΗΡΑ ΜΕ ΑΝΤΛΙΑ (ΠΡΟΑΙΡΕΤΙΚΟ): Μπορείτε να τοποθετήσετε μια αντλία (προαιρετικό) αποστράγγισης του νερού στον αφυγραντήρα (Εικ. 13). Η σύνδεση είναι εύκολη και άμεση χάρη στην εκ των προτέρων ηλεκτρική (ειδικός συνδετήρας) και υδραυλική ρύθμιση (ρακόρ που τοποθετείται στην πίσω θέση από όπου μπορείτε να συνδέσετε ένα σωλήνα με εσωτερική διάμετρο 16mm). Πριν συνδέσετε το σωλήνα, βγάλτε τη βίδα/πώμα (όπου υπάρχει) (Εικ. 14) και ελέγξτε τον καθαρισμό του ρακόρ, προκειμένου να αποφευχθούν πιθανά φραξίματα. ΟΛΕΣ ΟΙ ΟΔΗΓΙΕΣ ΚΑΙ ΟΙ ΛΕΠΤΟΜΕΡΕΙΕΣ ΤΗΣ ΕΓΚΑΤΑΣΤΑΣΗΣ ΠΑΡΕΧΟΝΤΑΙ ΣΤΟ ΚΙΤ ΤΗΣ ΑΝΤΛΙΑΣ.

## ▶▶ 11. ΠΕΡΙΟΔΙΚΗ ΣΥΝΤΗΡΗΣΗ

Η μόνη συντήρηση που θα πρέπει να εκτελείται περιοδικά είναι ο καθαρισμός του φίλτρου (Εικ. 15). Ο καθαρισμός του φίλτρου πρέπει να εκτελείται αφαιρώντας το φίλτρο από το μπροστινό μέρος του αφυγραντήρα (Εικ. 16) και βάζοντάς το κάτω από το τρεχούμενο νερό ενός κανονικού νεροχύτη. Ο καθαρισμός θα πρέπει να γίνεται κατά μέσο όρο κάθε μήνα. Αν γίνεται χρήση της συσκευής σε χώρους με πολύ σκόνη ο καθαρισμός θα πρέπει να γίνεται πιο συχνά.

Ανάλογα με τη χρήση μπορεί να είναι απαραίτητος ένας καθαρισμός της μπαταρίας με πτερύγια με νερό χαμηλής πίεσης. Πριν εκτελέσετε το πλύσιμο είναι απολύτως αναγκαίο να αποσυνδέσετε το φως της τροφοδοσίας από το ρεύμα (Εικ. 10). Για την εκτέλεση ενός σωστού πλυσίματος ακολουθήστε την παρακάτω διαδικασία (Εικ. 17-18):

- ▶ 11.1.Βγάλτε τη βίδα που στερεώνει το κάλυμμα στη δομή (1).
- ▶ 11.2.Περιστρέψτε το κάλυμμα (2).
- ▶ 11.3.Αφαιρέστε τις δύο βίδες και βγάλτε την προστασία της μπαταρίας με πτερύγια (3). (Πλύνετε τη μπαταρία με πτερύγια με νερό χαμηλής πίεσης προσέχοντας να μην βρέξετε τον ηλεκτρικό πίνακα. Η ΡΟΗ ΤΟΥ ΝΕΡΟΥ ΠΡΕΠΕΙ ΝΑ ΕΙΝΑΙ ΑΠΟ ΠΑΝΩ ΠΡΟΣ ΤΑ ΚΑΤΩ).
- ▶ 11.4.Επανατοποθετήστε την προστασία και τις δύο βίδες (4).
- ▶ 11.5.Περιστρέψτε το κάλυμμα για να το επαναφέρετε στην κάθετη θέση (5).
- ▶ 11.6.Επανατοποθετήστε τη βίδα που στερεώνει το κάλυμμα στη δομή (6).

Πριν ενεργοποιήσετε τον αφυγραντήρα βεβαιωθείτε δεν είναι βρεγμένα ή/και υγρά τα ηλεκτρικά μέρη. Υπό κανονικές συνθήκες θα πρέπει να περάσουν τουλάχιστον οχτώ ώρες. Ο καθαρισμός αυτός βελτιώνει την απόδοση του αφυγραντήρα και εξασφαλίζει μεγάλη διάρκεια ζωής.



设备密封和按照京都议定书规定含有温室效应氟化燃气。“GWP”显示在“技术参数表”。

**重要事项：** 每次维护，清洁，修理或其他操作之前，请务必从电源断开电源插头。在让除湿机重启之前，确认电气部件是否湿的和/或潮湿。

## ▶▶1. 安全警告

除湿机必须始终插入配有接地的电源插座。如所有的电器不遵守这个规则，由此造成危险后果制造商不承担任何责任。

该设备的拆卸必须只由一名合格的技术人员来执行。

当本设备连接到电源插座时，应保持在垂直的位置和不能猛烈地移动。从水箱可能溢出的水可能会接触带电部件，带来显而易见的危险后果。因此，在移动除湿机之前和抬升它清空其水箱之前断开电源插座是至关重要的。

如果突然移动后遇到任何水溢出的情况，在工作之前除湿机必须在垂直位置保持不动至少八小时。

该除湿器在前部将空气吸入和通过后部格栅排出它；因此前面的板，通到空气过滤器，必须离墙壁保持至少十五厘米的距离。另外不应该让设备在不允许传播散发从后方格栅的流出的环境空气的狭窄的空间工作。但是可以将侧板拉离墙壁，不为正常运行造成困难。

该除湿机是根据最严格的安全标准制造的。但是当取出过滤器时，不得将尖锐的物件（改锥，铁把手或类似物件）插入格栅或前面板中保持暴露的开口：这对人是危险的和可能会损坏设备。

要清洁其外部，从电源拔下电源插头后可以用湿布擦拭。请勿用布或其它物体罩住前格栅，该设备将被损坏和会造成危险。

定期清洁过滤器：必须平均每个月进行清洗；在灰尘很大的环境中使用的情况下清洗应更加频繁。有关清洗的方法，请参见相关章节。当过滤器脏时，出来空气比正常的热，损害设备和降低其效率。

## ▶▶2. 除湿机描述

所有便携式除湿机使用带压缩机冷冻循环。该设备描述如下。

## ▶▶3. 除湿机组装

这个模型配有把手。该组件，包含在除湿机的包装内。要安装把手遵循以下步骤（插图1-2）：

- ▶3.1. 移除在结构上固定盖子的螺丝；(1)；
- ▶3.2. 让盖子转动 (2)；
- ▶3.3. 移除位于结构两侧四个螺钉，两个在左侧和两个在右侧 (3)；
- ▶3.4. 在正确的位置定位把手(4)；
- ▶3.5. 重新安装位于结构两侧四个螺钉，两个在左侧和两个在右侧 (5)；
- ▶3.6. 让盖子旋转，将其带到垂直位置 (6)；
- ▶3.7. 重新安装在结构上固定盖子的螺丝(7)。

## ▶▶4. 运行

该除湿机是一种冷冻循环设备，根据空气物理原理工作，当与冷的表面接触时将空气湿润，如果环境温度不是很高，以冷凝珠或结冰的形式提供湿的水分。

实际上冷冻机保持电池散热叶片冷却，通过它传递冷却和除湿的空气。随后通过热量热交换器传递，空气加热返回到除湿环境，温度稍微高于初始温度。

参考图纸 (插图 3)：

从除湿机的前面吸入空气：通过过滤器(1)，风扇 (2)，冷交换器 (蒸发器) (3)，热交换器 (冷凝器) (4)，最后除湿的空气出来，通过后部格栅穿过重新置于环境。冷凝水被收集在水箱中(5)。当水箱中的水达到一定水位，一个微型开关(6)停止设备。当室内湿度高于所要求的水平，湿度调节器(7)允许除湿机的运行。一个电子板(8)管理除霜和防止压缩机的太接近的有危害开始(9)延迟其启动。

这些除湿机都配有热气除霜的装置，因此，配有用于热燃气旁路电磁阀，一个特殊的电子卡和一个除霜恒温器。

除霜系统的功能是我们产品的专利：实际上，带一个恒温器和一个电子控制系统，使用热燃气旁路仅用于绝对必需的时间。通减少热燃气操作阶段延长除湿机的使用期。

## ▶▶5. 控制面板

控制面板(插图. 4) 位于除湿器的后面和包括：

- ▶5.1. 湿度调节器 (1)：湿度调节器有从1到5刻度的等级。湿度调节器设置的最低值(1)意味让除湿器工作直至在该环境中得到相对湿度的80%。湿度调节器设置的最高值(5)意味除湿器工作直至在该环境中得到相对湿度的20%。在“CONT”位置除湿器将一直工作而不考虑相对湿度的值。在“OFF”位置除湿机永远不会启动（单极开关）。
- ▶5.2. 计算小时 (2)：该计数器指示除湿机的运行小时数。
- ▶5.3. 风扇速度选择器(3)：风扇速度选择器允许除湿机以最大流量或根据要求空气中等流量工作。

- ▶5.4.报警指示灯 (4): 当带水箱标准除湿机的情况下, 罐子满了或直接排水堵塞, 或者在带泵除湿机 (选配) 的情况下, 在排水系统有故障, 警告灯亮起。当灯亮起时, 除湿机不能正常工作, 恢复设备让它重新启动。
- ▶5.5.遥控湿度调节器插座 (5): 通过将遥控湿度调节器连接到插座, 可以远程管理和控制您想得到室内的相对湿度。
- ▶5.6.电压变化开关(6) (如果有的话): 在双电压 (...DV) 型号, 可以设置除湿机的工作电压, 以适应从电源提供的电压。

#### ▶▶6. 启动

**重要事项:** 在双电压 (...DV) 型号, 检查:

- ▶1- 电压改变开关的位置(220-240V / 110-120V) (插图. 5); 如果设置的电压与电网提供的电压不匹配, 有必要进行干预以便适应电压。拧下盖子的两个固定螺丝 (插图 6), 在提供的电压值上移动/按下开关 (插图. 7) 和重新安装盖子 (插图. 8)。
- ▶2- 检查插座的类型;如果插座的类型不符合供电的特性, 需要特定的适配器适应。如果电压变化开关的位置, 插座的类型和提供的电力是一致的, 可以继续开启顺序。

为了能够使除湿机开始工作必须至少八小时保持在垂直位置 (正常使用的位置)。不遵守该规定会对除湿机造成不可挽回的损坏。

- ▶6.1.遵守所有安全说明;
- ▶6.2.将电源插座连接到电网上 (插图 9) (参见“技术数据表”中的电压说明);
- ▶6.3.将湿度调节器旋转到(1 插图. 4) 所需的相对湿度的值, 该除湿机将自动启动。由于“风扇速度”选择器(3 插图. 4), 可以使除湿机以最大空气流量或根据需求中等空气流量工作, 这样以便获得在房间里最大的舒适度。

#### ▶▶7. 关闭

要关闭除湿机, 需要:

- ▶7.1.旋转湿度调节器 (1 插图. 4) 朝向“OFF”;
- ▶7.2.除湿机关闭时, 从电网断开电源插座。10)。

#### ▶▶8. 遥控湿度调节器连接

关于带有遥控湿度调节器预设定 (5 插图 4), 移除连接到除湿机盖子, 然后连接遥控湿度调节器 (选配) (插图. 11)。为了除湿机的正确操作, 完全旋转位于控制面板上湿度调节器把手 (图1 4) 朝向“CONT”并在遥控湿度调节器上设定所需的湿度。

#### ▶▶9. 如果除湿机不能启动或不除湿

如果“报警指示灯”(4 插图. 4) 点亮, 意味在水回收箱满了和/或泵 (选配) 有故障, 只要清空水箱和/或恢复泵就可以了。如果问题仍然存在, 请联系授权的技术支持中心。

#### ▶▶10. 连接到一条排水管

该除湿机提供设备直接连接到固定排水管的可能性。

▶10.1.带水箱标准除湿机的情况: 罐子有一个可连接内部直径为16mm的管子的接头。在连接管子之前, 卸下螺丝/盖子 (在有的地方) (插图 12) 并核实接头的清洁, 以避免可能的堵塞。

▶10.2.带泵除湿机的情况(选配): 可以将一个排水泵 (选配) 安装到除湿机 (插图 13)。由于提供的电气 (特定连接器) 和液压 (从此可以连接放在后面内部直径为16mm的接头), 该连接是很容易和立即的。在连接管子之前, 卸下螺丝/盖子 (在有的地方) (插图 14) 并核实接头的清洁, 以避免可能的堵塞。所有说明和信息在泵的套件中均有提供。

#### ▶▶11. 定期维修

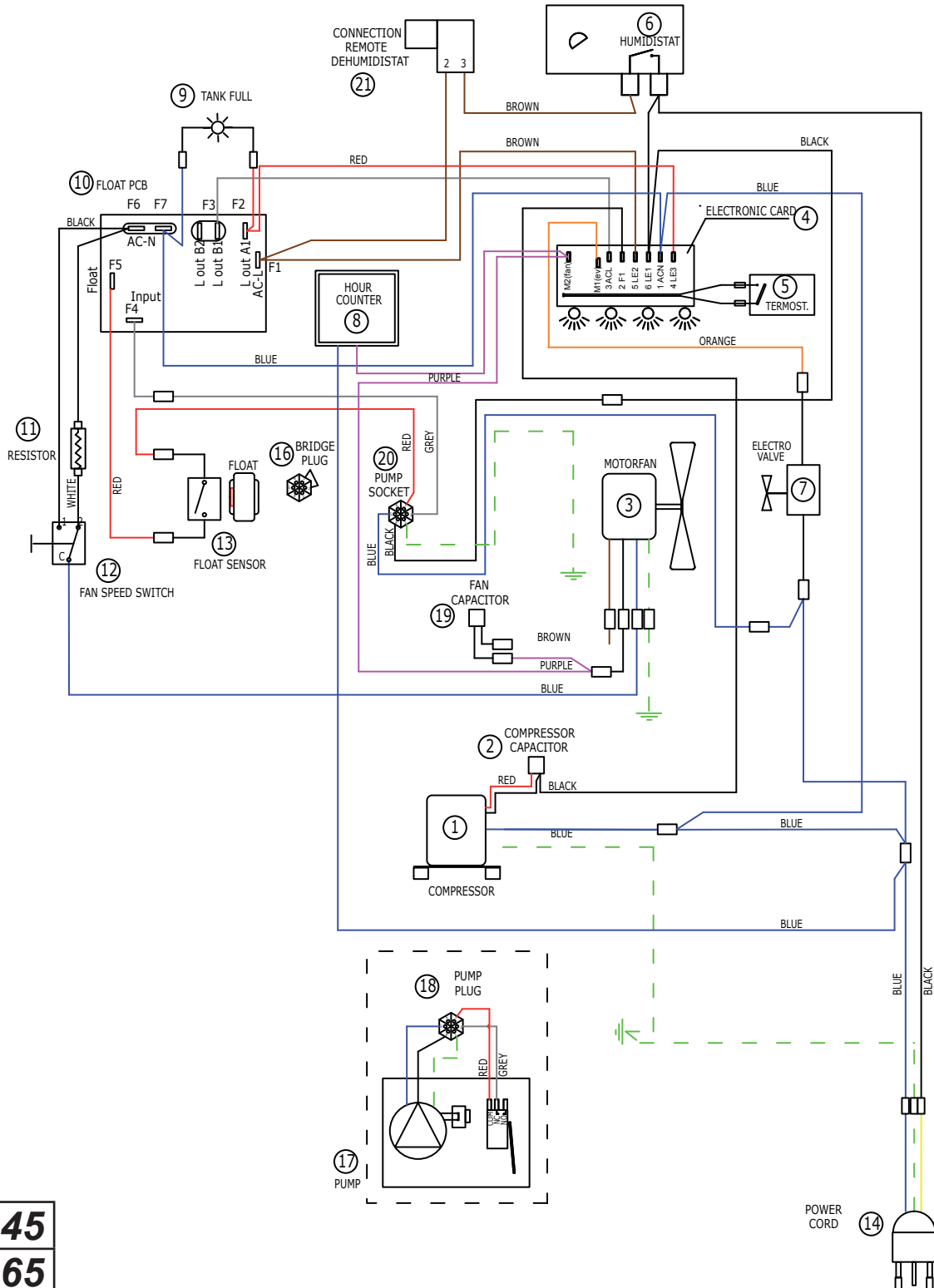
需要定期进行唯一的维修是过滤器的清洁 (插图 15)。通过从除湿机前方拆下过滤器(插图 16)并且将其放置在一个正常的水池里冲水进行清洗。

必须平均每个月进行清洗;在灰尘很大的环境中使用的情况下清洗应更加频繁。根据其用途, 可能需要用低压水电池散热叶片的清洁。进行清洗之前绝对有必要从电网断开电源插头(插图 10)。为了进行正确的清洗按照以下步骤操作(插图 17-18):

- ▶11.1.移除在结构上固定盖子的螺丝;(1);
- ▶11.2.让盖子转动 (2);
- ▶11.3.拆下两个螺丝和取下电池散热叶片的保护(3)。 (用低压水清洗电池散热叶片, 小心不要弄湿电柜。水的流动必须只能是从高到低);
- ▶11.4.重新装上保护并重新安装两个螺丝(4);
- ▶11.5.让盖子旋转, 将其带到垂直位置 (5);
- ▶11.6.重新安装在结构上固定盖子的螺丝(6)

在重新启动除湿机之前, 确保电气部件不是湿润的和/或潮湿的, 在正常情况下必须度过至少八个小时。该清洁提高除湿机的性能, 并确保其长使用期。

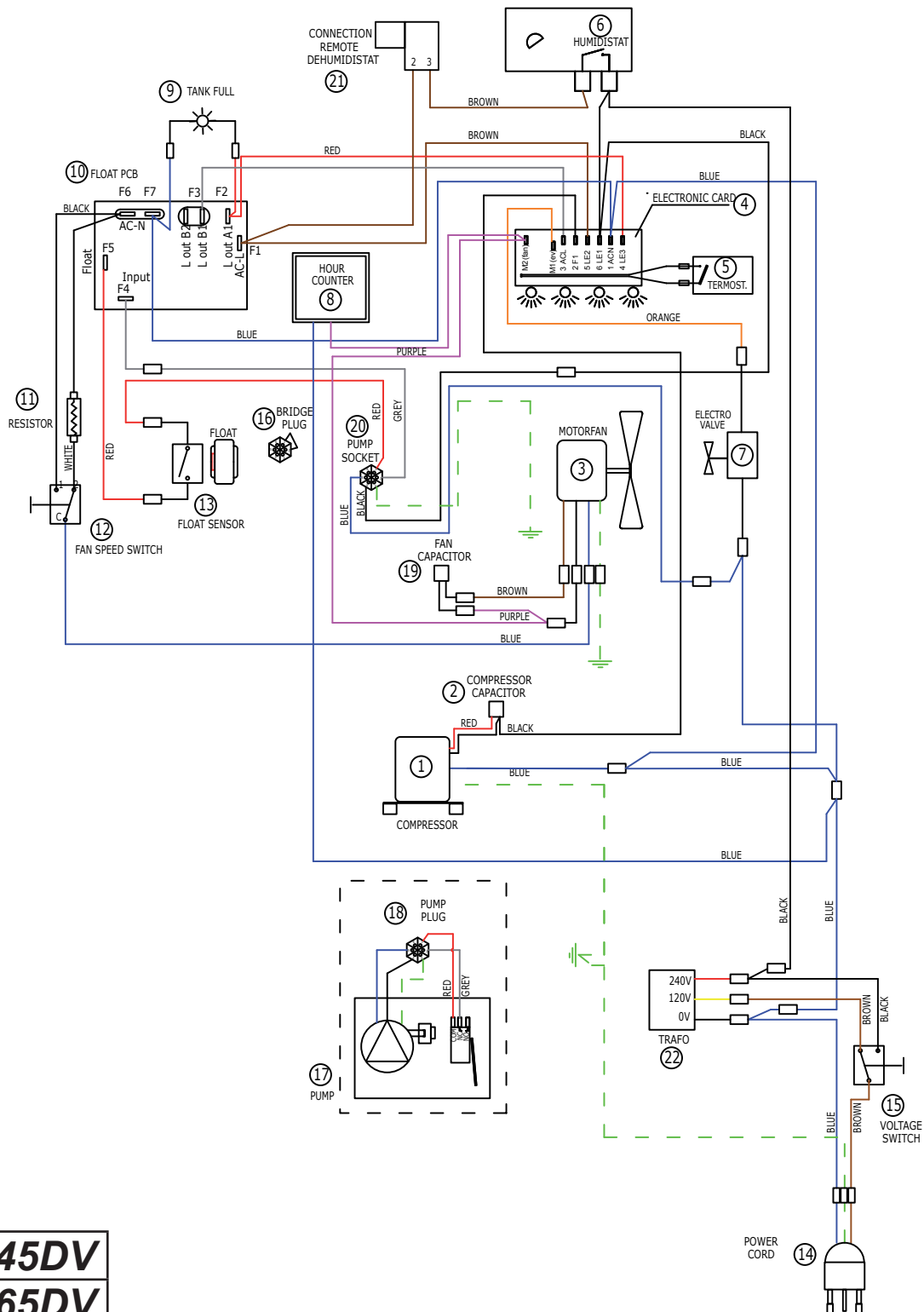
**ELECTRIC SYSTEM - IMPIANTO ELETTRICO - ELEKTRISCHE ANLAGE  
- INSTALACIÓN ELÉCTRICA - INSTALLATION ELECTRIQUE - ELEKTRISCH  
EINRICHTUNG - SYSTEMA ELÉTRICO - EL-ANLÆG - SÄHKÖLAITTEISTO  
- ELEKTRISK ANLEGG - ELANORDNING - INSTALACJA ELEKTRYCZNA  
- ЭЛЕКТРОПРОВОДКА - ELEKTRICKÉ ZAŘÍZENÍ - ELEKTROMOS RENDSZER  
- ELEKTRIČNA NAPELJAVA - ELEKTRİK TESİSATI - ELEKTRIČNI UREĐAJ  
- ELEKTROS SISTEMA - ELEKTRISKĀ SISTĒMA - ELEKTRISŪSTEEM  
- INSTALAȚIA ELECTRICĂ - ELEKTRICKÉ ZARIADENIE - ЭЛЕКТРИЧЕСКА  
ИНСТАЛАЦИЯ - ЕЛЕКТРИЧНЕ ОБЛАДНАННЯ - ELEKTRIČNI UREĐAJ  
- ΗΛΕΚΤΡΙΚΗ ΕΓΚΑΤΑΣΤΑΣΗ - 电路系统**



**DHP 45**  
**DHP 65**



**ELECTRIC SYSTEM - IMPIANTO ELETTRICO - ELEKTRISCHE ANLAGE  
 - INSTALACIÓN ELÉCTRICA - INSTALLATION ELECTRIQUE - ELEKTRISCH  
 E INSTALLATIE - SISTEMA ELÉTRICO - EL-ANLÆG - SÄHKÖLAITTEISTO -  
 ELEKTRISK ANLEGG - ELANORDNING - INSTALACJA ELEKTRYCZNA -  
 ЭЛЕКТРОПРОВОДКА - ELEKTRICKÉ ZAŘÍZENÍ - ELEKTROMOS RENDSZER -  
 ELEKTRIČNA NAPELJAVA - ELEKTRİK TESİSATI - ELEKTRIČNI UREĐAJ -  
 ELEKTROS SISTEMA - ELEKTRISKĀ SISTĒMA - ELEKTRISŪSTEEM -  
 INSTALAȚIA ELECTRICĂ - ELEKTRICKÉ ZARIADENIE - ЭЛЕКТРИЧЕСКА  
 ИНСТАЛАЦИЯ - ЕЛЕКТРИЧНЕ ОБЛАДНАННЯ - ELEKTRIČNI UREĐAJ -  
 ΗΛΕΚΤΡΙΚΗ ΕΓΚΑΤΑΣΤΑΣΗ - 电路系统**



**DHP 45DV**  
**DHP 65DV**



**CE CONFORMITY CERTIFICATE - DICHIARAZIONE DI CONFORMITÀ CE - EG-KONFORMITÄT-SERKLÄRUNG - DECLARACIÓN DE CONFORMIDAD CE - DECLARATION DE CONFORMITE CE - EG-CONFORMITEITVERKLARING - DECLARAÇÃO DE CONFORMIDADE CE - EU-OVERENSSTEMMELSESERKLÆRING - EY-VAATIMUSTENMUKAISUUSVAKUUTUS - CE-SAMSVAR-SERKLÆRING - EG-FÖRSÄKRAN OM ÖVERENSSTÄMMESE - DEKLARACJA ZGODNOŚCI WE - ДЕКЛАРАЦИЯ О СООТВЕТСТВИИ CE - PROHLÁŠENÍ O SHODĚ CE - EK MEGFELELŐSÉGI NYILATKOZAT - IZJAVA O SKLADNOSTI IN OZNAKA CE - CE UYGUNLUK BEYANI - IZJAVA CE O SUKLADNOSTI - ES ATITIKTIES DEKLARACIJA - EK ATBILSTĪBAS - DEKLARĀCIJA - EÜ VA-STAVUSDEKLARATSIOON - DECLARAȚIE DE CONFORMITATE CE - PREHLÁSENIE O ZHODE CE - ДЕКЛАРАЦИЯ ЗА СЪВМЕСТИМОСТ CE - ДЕКЛАРАЦИЯ ВІДПОВІДНОСТІ CE - IZJAVA CE O PRIKLADNOSTI ΔΗΛΩΣΗ ΣΥΜΜΟΡΦΩΣΗΣ CE - CE 符合性声明**

**MCS ITALY S.p.A. Via Tione, 12 - 37010 - Pastrengo (VR) ITALY**

Product: - Prodotto: - Produkt: - Producto: - Produit: - Product: - Produto: - Produkt: - Tuote: - Produkt: - Produkt: - Produkt: - Изделие: - Výrobek: - Termék: - Izdelek: - Ürün: - Proizvod: - Gaminys: - Ieřice: - Toode: - Produsul: - Výrobok: - Продукт: - Виріб: - Proizvod: - Προϊόν: - 产品:

**DHP 45 - DHP 65 - DHP 45DV - DHP 65DV**

We declare that it is compliant with: - Si dichiara che è conforme a: - Es wird als konform mit den folgenden Normen erklärt: - Se declara que está en conformidad con: - Nous déclarons sa conformité à: - Hierbij wordt verklaard dat het product conform is met: - Declara-se que está em conformidade com: - Vi erklærer at produktet er i overensstemmel-se med: - Vakuutetaan olevan yhdenmukainen: - Man erklærer at apparatet er i overensstemmelse med: - Härmed intygas det att produkten är förenlig med följande: - Oświadczam się, że jest zgodny z: - Заявляем о соответствии требованиям: - Prohlašuje se, že je v souladu s: - Kijelentjük, hogy a termék megfelel az alábbiaknak: - Izpolnjuje zahteve: - Aşağıdaki standartlara uygun olduđunu beyan ederiz: - Izjavljuje se da je u skladu s: - Pareiškiame, kad atitinka: - Tiek deklarēts, ka atbilst: - Käesolevaga deklareeritakse, et toode vastab: - Declarăm că este conform următoarelor: - Prehlasuje sa, že je v súlade s: - Декларира се че отговаря на: - Відповідає вимогам: - Izjavljuje se da je u skladu s: - Δηλώνουμε ότι είναι σύμφωνο με: - 兹证明符合:

**2006/95/CE, 2004/108/CE, 2006/42/CE, RoSH 2002/95/CE**

**CEI-EN 60335-2-40, CEI-EN 55014-1, CEI-EN 55014-2**

**97/23/CE (PED)**

Pastrengo, 15/06/2014

Stefano Verani (CEO MCS Group)

---

***NOTE:*** \_\_\_\_\_

---

---

---

---

---

---

---

---

---

---

---

---

---

---

---

---

---

---

---

---

---

---

---

---

---







► en - DISPOSAL OF THE PRODUCT

- This product has been designed and manufactured with top-quality materials and components, which can be re-cycled and re-used.
- When a crossed-wheely bin symbol is attached to the product, it means that the product is protected by the, 2002/96/EC European Directive.
- Please obtain information regarding the local differentiated collection system for electrical and electronic products.
- Respect local Standards in force and do not dispose of old products as normal domestic waste. Correct disposal of the product helps to prevent possible negative consequences for health, the environment and mankind.

► it - SMALTIMENTO DEL PRODOTTO

- Questo prodotto è stato progettato e fabbricato con materiali e componenti di alta qualità, che possono essere riciclati e riutilizzati.
- Quando ad un prodotto è attaccato il simbolo del bidone con le ruote segnato da una croce, significa che il prodotto è tutelato dalla Direttiva Europea 2002/96/CE.
- Si prega di informarsi in merito al sistema locale di raccolta differenziata per i prodotti elettrici ed elettronici.
- Rispettare le norme locali in vigore e non smaltire i prodotti vecchi nei normali rifiuti domestici. Il corretto smaltimento del prodotto aiuta ad evitare possibili conseguenze negative per la salute dell'ambiente e dell'uomo.

► de - ENTSORGUNG DES PRODUKTS

- Dieses Produkt wurde unter Verwendung von Qualitätsmaterialien und -bauteilen entwickelt und hergestellt, die recycelt und wieder verwendet werden können.
- Ist ein Produkt gekennzeichnet durch die Mülltonne mit Rädern und einem Kreuz, wird hier angezeigt, dass dieses Produkt durch die europäische Richtlinie 2002/96/EG überwacht ist.
- Es wird gebeten, sich über die vor Ort bestehende Mülltrennung bezüglich elektrischer und elektronischer Produkte zu informieren.
- Die vor Ort geltenden Vorschriften zur Müllentsorgung müssen eingehalten werden und alte Produkte dürfen nicht zusammen mit dem Hausmüll entsorgt werden. Die ordnungsgemäße Entsorgung des Produkts hilft mögliche negative Folgen für Gesundheit und Umwelt zu vermeiden.

► es - ELIMINACIÓN DEL PRODUCTO

- Este producto ha sido diseñado y fabricado con materiales y componentes de alta calidad que se pueden reciclar y reutilizar.
- Cuando en el producto se encuentra el símbolo del contenedor con las ruedas tachado con una cruz, significa que el producto está tutelado por la Directiva europea 2002/96/CE.
- Se ruega informarse acerca del sistema local de recogida selectiva para los productos eléctricos y electrónicos.
- Respete las normas locales vigentes y no elimine los productos viejos junto con los residuos domésticos normales. La eliminación correcta del producto ayuda a evitar posibles consecuencias negativas para la salud del ambiente y del hombre.

► fr - SE DÉBARRASSER DE VOTRE PRODUIT USAGÉ

- Ce produit a été conçu et fabriqué avec des matériaux et des composants de haute qualité, qui peuvent être recyclés et utilisés de nouveau.
- Lorsque le symbole d'une poubelle à roue barrée est appliqué à un produit, cela signifie que le produit est couvert par la Directive Européenne 2002/96/CE.
- Veuillez vous informer du système local de séparation des déchets électriques et électroniques.
- Veuillez agir selon les règles locales et ne pas jeter vos produits usagés avec les déchets domestiques usuels. Jeter correctement votre produit usagé aidera à prévenir les conséquences négatives potentielles contre l'environnement et la santé humaine.

► nl - VERWIJDERING VAN HET PRODUCT

- Dit product werd ontworpen en gemaakt met hoogwaardige materialen en componenten, die gerecycleerd en herbruikt kunnen worden.
- Wanneer op een product het symbool van de afvalbak op wielen met een kruis erdoor is aangebracht, betekent dit dat het product valt onder de Europese Richtlijn 2002/96/EG.
- Gelieve inlichtingen in te winnen betreffende het plaatselijke systeem voor gedifferentieerde inzameling van elektrische en elektronische toestellen.
- Respecteer de plaatselijke normen die van kracht zijn, en verwijder de oude toestellen niet als gewoon huishoudelijk afval. Een correcte verwijdering van het product helpt om mogelijke negatieve gevolgen voor de gezondheid van mens en milieu te voorkomen.

► pt - ELIMINAÇÃO DO PRODUTO

- Este produto foi projetado e fabricado com materiais e componentes de alta qualidade que podem ser reciclados e reutilizados.
- Quando for afixado em um produto o símbolo do bidão com rodas marcado com uma cruz, significa que o produto é protegido pela Diretiva Europeia 2002/96/CE.
- Solicitamos informar-se sobre o sistema local de recolha diferenciada para os produtos elétricos e eletrônicos.
- Respeitar as normas locais em vigor e não eliminar os produtos antigos como normais detritos domésticos. A correta eliminação do produto ajuda a evitar possíveis consequências negativas para a saúde do ambiente e do homem.



► da - BORTSKAFFELSE

- Dette produkt er designet og fremstillet med materialer og dele af høj kvalitet, der kan genanvendes.
- Når et produkt er mærket med symbolet, der viser en affaldsspand på hjul med et kryds over, betyder det, at produktet er beskyttet af EF-Direktiv 2002/96/EF.
- Der henstilles til, at man informerer sig angående det lokale affaldssorteringssystem for elektriske og elektroniske produkter.
- De gældende lokale regler skal overholdes, og de gamle produkter må ikke bortskaffes sammen med husholdningsaffaldet. Ved at bortskaffe dette produkt korrekt, medvirker De til at forhindre eventuelle negative påvirkninger af miljøet og folkesundheden.

► fi - TUOTTEEN HÄVITTÄMINEN

- Tämä tuote on suunniteltu ja valmistettu korkealaatuisia materiaaleja ja osia käyttämällä, jotka voidaan kierrättää ja käyttää uudelleen.
- Kun tuotteeseen on kiinnitetty viivattu roskasäiliön merkki, se tarkoittaa, että tuotetta suojaa Euroopan yhteisön direktiivi 2002/96/EY.
- Hanki tietoja paikallisesta sähkö- ja elektroniikkaromujen erilliskeräyksestä.
- Noudata voimassa oleva määräyksiä äläkä hävitä vanhoja tuotteita kotitalousjätteiden mukana. Tuotteen oikea hävittäminen auttaa suojelemaan luontoa ja välttää väärän romutuksen aiheuttamien terveysriskien syntymistä.

► no - AVFALLSHÄNDTERING

- Dette produktet er utformet og produsert med materialer og deler av høy kvalitet, og som kan gjenvinnes.
- Når det på et produkt finnes et symbol som forestiller en avfallsbeholder med et kryss over, betyr dette at produktet er underlagt EU-direktiv 2002/96/CE.
- Vennligst informer dere angående de lokale reglene som gjelder kassering av elektrisk og elektronisk avfall.
- Ta hensyn til gjeldende regelverk og ikke kast gamle produkter sammen med husholdningsavfall. Riktig avfallshåndtering av produktet bidrar til å unngå potensielle negative konsekvenser for miljøet og menneskenes helse.

► sv - PRODUKTENS BORTSKAFFANDE

- Den här produkten har projekterats och tillverkats med material och komponenter av hög kvalitet som kan återvinnas och återanvändas.
- När ett klistermärke med en symbol med överkorsad soptunna med hjul sitter på produkten, betyder detta att produkten är skyddad av Eu-direktiv 2002/96/EG.
- Vi ber er inhämta upplysningar vid er lokala återvinningsstation för elektriska och elektroniska produkter.
- Följ lokala gällande bestämmelser och skaffa inte bort förbrukade produkter i det vanliga hushållsavfallet. Ett korrekt bortskaffande av produkten hjälper till att undvika möjliga negativa effekter på miljö- och människohälsa.

► pl - UTYLIZACJA PRODUKTU

- Niniejszy produkt został wyprodukowany z najwyższej jakości materiałów, które mogą być poddane recyklingowi i zostać ponownie użyte.
- Symbol przekreślonego kosza na śmieci umieszczony na produkcie oznacza, że ów produkt jest chroniony Dyrektywą Unii Europejskiej 2002/96/WE.
- Należy zapoznać się z lokalnym systemem zbiórki produktów elektronicznych i elektrycznych.
- Stare produkty muszą być usuwane zgodnie z obowiązującymi normami. Odpowiednia utylizacja urządzeń elektrycznych i elektronicznych zapobiega następstwom negatywnie wpływającym na zdrowie, środowisko i całą ludzkość.

► ru - УТИЛИЗАЦИЯ ПРОДУКТА

- Данный продукт был произведен из наивысшего качества материалов, которые могут быть подданы рециклингу и повторно использованы.
- Символ зачеркнутой мусорной корзины, размещенный на продукте, обозначает, что этот продукт защищен Директивой Европейского Союза 2002/96/CE.
- Следует ознакомиться с локальной системой сбора электронных и электрических продуктов.
- Старые продукты должны быть утилизированы в соответствии с действующими нормами. Соответствующая утилизация электрических и электронных приборов предотвращает последствия, негативно влияющие на здоровье, окружающую среду и все человечество.

► cs - LIKVIDACE VÝROBKU

- Tento výrobek byl navržen a vyroben z vysoce kvalitních materiálů a komponentů, které lze recyklovat a znovu použít.
- Je-li na výrobku symbol přeškrtnutého kontejneru, znamená to, že na výrobek se vztahuje Evropská Směrnice 2002/96/ES.
- Informujte se o místním systému pro oddělený sběr elektrických a elektronických výrobků.
- Dodržujte místní předpisy a nelikvidujte staré produkty spolu s běžným komunálním odpadem. Správná likvidace výrobku pomůže předcházet možným negativním dopadům na životní prostředí a lidské zdraví.

#### ► hu - HULLADÉKBA HELYEZÉS

- A termék kiváló minőségű újrahasznosítható és újból felhasználható alkotóelemek felhasználásával készült.
- Ha terméken elhelyezésre került az áthúzott hulladékgyűjtőt ábrázoló jel, az azt jelenti, hogy a termékre a 2002/96/EK irányelv vonatkozik.
- Kérjük, tájékozódjon az elektromos és elektronikus hulladékok szelektív gyűjtéséről.
- Tartsa be a helyben hatályos előírásokat, és ne a terméket ne helyezze a háztartási hulladékgyűjtőbe. A megfelelő hulladékgyűjtéssel elkerülhető, hogy a hulladékok károsítsák a környezetet ill. az emberi egészséget.

#### ► sl - ODLAGANJE IZDELKA

- Ta izdelki je bil zasnovan in izdelan iz materialov in komponent visoke kakovosti, ki jih je mogoče reciklirati in ponovno uporabiti.
- Ko je izdelek označen z znamenjem prekrižanega smetnjaka na kolesih, pomeni, da zanj veljajo določbe evropske Direktive 2002/96/ES.
- Pozanimajte se o načinu ločenega zbiranja električne in elektronske opreme, ki velja v vašem kraju.
- Upošteвайте veljavne predpise in odsluženih izdelkov ne odlagajte med gospodinjske odpadke. Pravilno odlaganje izdelka prispeva k izogibanju morebitnim negativnim posledicam za zdravje okolja in ljudi.

#### ► tr - ÜRÜNÜN İMHA EDİLMESİ

- Bu ürün, geri dönüşürülüp tekrar kullanılabilir, yüksek kaliteli malzeme ve bileşenler kullanılarak tasarlanıp üretilmiştir.
- Herhangi bir üründe, üzerinde çarpı işareti bulunan tekerlekli bidon bulunuyorsa bu, ürünün 2002/96/CE Avrupa Direktifi tarafından korunduğunu belirtir.
- Lütfen bulunduğunuz bölgedeki elektrikli ve elektronik aletler için olan çöp ayrıştırma sistemi ile ilgili bilgi edininiz.
- Konuyla ilgili yerel düzenlemelere uyunuz ve eski ürünleri normal evsel atıklarla beraber atmayınız. Ürünün doğru şekilde imha edilmesi, çevre ve insan sağlığını tehdit edici olumsuz sonuçların önlenmesine yardımcı olur.

#### ► hr - ODBACIVANJE PROIZVODA

- Ovaj je proizvod osmišljen i izrađen s visokokvalitetnim materijalima i komponentama koje se mogu reciklirati i ponovno iskoristiti.
- Kada se na proizvod stavi simbol prekrižene kante na kotačima, to znači da je on podvrgnut Europskoj Smjernici 2002/96/CE.
- Informirajte se u svezi s lokalnim načinom diferencijalnog sakupljanja električnih i elektronskih proizvoda.
- Poštujte lokalne propise na snazi i ne odbacujte stare proizvode zajedno sa običnim kućnim otpadom. Pravilnim odbacivanjem proizvoda spriječit ćete moguće negativne posljedice za okoliš i za zdravlje ljudi.

#### ► lt - GAMINIO SUNAIKINIMAS

- Šis gaminys buvo sukurtas ir pagamintas iš aukštos kokybės medžiagų bei dalių, kurios gali būti perdirbtos arba panaudotos dar kartą.
- Kai gaminys yra pažymėtas perbraukto atliekų konteinerio su ratukais ženklu, tai reiškia, kad gaminys yra saugomas pagal ES direktyvą 2002/96/EB.
- Prašome pasidomėti apie vietinę elektros ir elektronikos atliekų rūšiavimo sistemą.
- Laikykites vietinių galiojančių taisyklių ir nemeskite senų gaminių su įprastomis buitinėmis atliekomis. Tinkamai sunaikinę gaminių išvengsite galimų neigiamų pasekmių aplinkai ir žmonių sveikatai.

#### ► lv - PRODUKTA IZNĪCINĀŠANA

- Šis produkts tika izveidots un ražots ar augstas kvalitātes materiāliem un sastāvdaļām, kas var būt savāktas un atkārtoti izmantotas.
- Kad pie produkta ir piestiprināts atkritumu tvertnes simbols ar riteņiem, kas ir pārsvītrots ar krustu, tas nozīmē, ka produktu aizstāv Eiropas Direktīva 2002/96/EK.
- Lūdzam Jūs gūt informāciju par vietēju centru, kas savāc elektriskās un elektroniskā ierīces.
- Ievērot vietējās pastāvošās normas un neiznīcināt vecus produktus, kā parastos mājas atkritumus. Produkta pareizā iznīcināšana palīdz izvairīties no iespējamām negatīvām sekām vides un cilvēku veselībai.

#### ► et - TOOTE KASUTUSEST KÕRVALDAMINE

- See toode on projekteeritud ja toodetud kvaliteetsetest materjalidest ja osadest, mida võib uuesti ringlusse võtta ja korduskasutada.
- Kui tootel on märk, millel on ratastega prügikast, millele on rist peale tõmmatud, tähendab see, et toodet kaitseb Euroopa direktiiv 2002/96/EÜ.
- Palun tutvuge kohaliku elektri- ja elektroonikatoodete lahuskogumise süsteemiga.
- Täitke kehtivaid kohalikke õigusnorme ning ärge visake vana toodet olmejäätmete hulka. Toote õige kõrvaldamine aitab vältida võimalikke negatiivseid tagajärgi keskkonna ja inimeste tervisele.

#### ► ro - SCOATEREA DEFINITIVĂ DIN UZ A PRODUSULUI

- Acest produs a fost proiectat și fabricat cu materiale și componente de înaltă calitate care pot fi reciclate și refolosite.
- Când pe produs este aplicat simbolul unei pubele cu roți, marcată cu o cruce, înseamnă că produsul respectiv este conform Directivei Europene 2002/96/CE.
- Vă rugăm să vă informați în ceea ce privește colectarea separată a produselor electrice și electronice.
- Respectați normele locale în vigoare și nu depozitați produsele vechi împreună cu deșeurile menajere. Eliminarea corectă a produsului ajută la eliminarea consecințelor negative pe care acesta le poate avea asupra mediului înconjurător și a persoanelor.

#### ► sk - LIKVIDÁCIA VÝROBKU

- Tento výrobok bol navrhnutý a vyrobený z vysoko kvalitných materiálov a komponentov, ktoré je možné recyklovať a znovu použiť.
- Ak je na výrobku symbol prečiarknutého kontajnera, znamená to, že na výrobok sa vzťahuje Európska Smernica 2002/96/ES.
- Informujte sa o miestnom systéme pre oddelený zber elektrických a elektronických výrobkov.
- Dodržujte miestne predpisy a nelikvidujte staré produkty spolu s bežným komunálnym odpadom. Správna likvidácia výrobku pomôže predchádzať možným negatívnym dopadom na životné prostredie a ľudské zdravie.

#### ► bg - ИЗХВЪРЛЯНЕ НА УРЕДА

- Това изделие е проектирано и произведено с материали и компоненти от високо качество, които могат да се рециклират или използват повторно.
- Когато на някое изделие е поставен символ с бидон на колелца, маркиран с хикс, това означава, че изделието е защитено съгласно Европейска Директива 2002/96/ЕО.
- Моля да се информирате относно местната система за разделно изхвърляне на електрически и електронни изделия.
- Спазвайте действащите местни нормативи и не изхвърляйте изделията, заедно с нормалните домакински отпадъци. Правилното изхвърляне на изделията, помага за избягване на възможни отрицателно последици, за здравето на хората и за опазване на околната среда.

#### ► uk - УТИЛІЗАЦІЯ ВИРОБУ

- Цей виріб був спроектований і вироблений з використанням високоякісних матеріалів і комплектуючих, які можуть бути повторно перероблені і використані.
- Якщо на виріб нанесено символ перекресленого бака з колесами для сміття, це означає, що виріб відповідає Директиві Європейського Союзу 2002/96/CE.
- Просимо ознайомитися з інформацією щодо місцевої системи роздільного збору сміття для електричного і електронного обладнання.
- Дотримуйтеся чинних місцевих правил і не викидайте старі вироби до звичайних побутових відходів. Правильна утилізація виробу допомагає уникнути можливих негативних наслідків для довкілля і здоров'я людей.

#### ► bs - ODLAGANJE PROIZVODA

- Ovaj je proizvod dizajniran i proizveden korištenjem materijala i komponenata visoke kvalitete koji se mogu reciklirati i ponovo koristiti.
- Kada se na ovaj proizvod postavi simbol prekrizene kante /obilježene krstom na točkovima, to znači da je proizvod podložan Evropskoj Direktivi 2002/96/CE.
- Molimo Vas da se informirate o lokalnom sistemu diferencijalnog sakupljanja električnih i elektronskih proizvoda.
- Poštujte lokalne propise na snazi i ne odbacujte stare proizvode u obični kućanski otpad. Pravilno odlaganje proizvoda pomaže i onemogućuje negativne posljedice za zdravlje ljudi i okoliša

#### ► el - ΔΙΑΘΕΣΗ ΤΟΥ ΠΡΟΪΟΝΤΟΣ

- Το προϊόν αυτό σχεδιάστηκε και κατασκευάστηκε με υλικά και εξαρτήματα υψηλής ποιότητας, τα οποία μπορούν να ανακυκλωθούν και να ξαναχρησιμοποιηθούν.
- Όταν ένα προϊόν είναι συνδεδεμένο με το σύμβολο του διαγεγραμμένου τροχοφόρου σημειωμένο με ένα σταυρό, σημαίνει ότι το προϊόν καλύπτεται από την Ευρωπαϊκή Οδηγία 2002/96/ΕΚ.
- Σας συνιστούμε να ενημερωθείτε σχετικά με το τοπικό σύστημα συλλογής για την ανακύκλωση ηλεκτρικών και ηλεκτρονικών προϊόντων.
- Τηρήστε τους τοπικούς κανονισμούς που ισχύουν και μην απορρίπτετε τα παλαιά προϊόντα στα οικιακά απορρίμματα. Η σωστή διάθεση του προϊόντος βοηθά στην αποφυγή πιθανών αρνητικών συνεπειών για την υγεία του περιβάλλοντος και του ανθρώπου.

#### ► zh - 弃置旧的产品

- 该产品是由高质量的原材料和零配件生产而成的，可以进行回收再利用
- 当这个标识标签出现在产品上时，它表明这个产品符合 European Directive 2002/96/EC标准。
- 请熟知产品实际使用地关于处理废弃的电子器件的相关法律规定。
- 请严格根据当地法规处理废弃的产品和包装，并确保不和生活垃圾混装。正确的处理方式可以避免对环境 and 人体健康产生的潜在威胁。

---

**MCS Italy S.p.A.**

Via Tione 12, -37010-  
Pastrengo (VR), Italy  
info@mcsitaly.it

**MCS Central Europe Sp. z o.o.**

ul. Magazynowa 5A,  
62-023 Gądkі, Poland  
office@mcs-ce.pl

**MCS Russia LLC**

ul. Transportnaya - 22 ownership 2,  
142802, STUPINO, Moscow region, Russia  
info@mcsrussia.ru

**MCS China LTD**

Unit A1, No. 1515, Jinshao Rd.,  
Baoshan Industrial Zone,  
Shanghai, 200949, China  
office@mcs-china.cn

**MCS Italy S.p.A.**

Виа Тионе, 12, 37010  
Пастренго (Верона), Италия  
info@mcsitaly.it

**MCS Central Europe Sp. z o.o.**

ул. Магазинова, 5А,  
62-023 Гадки, Польша  
office@mcs-ce.pl

**ООО «ЭмСиЭс Россия»**

Ул. Транспортная, владение 22/2,  
142802, г.Ступино, Московская обл., РФ  
info@mcsrussia.ru

**MCS China LTD**

строение А1, № 1515, ул. Джиньшао,  
промышленная зона Баошань,  
Шанхай, 200949, Китай  
office@mcs-china.cn